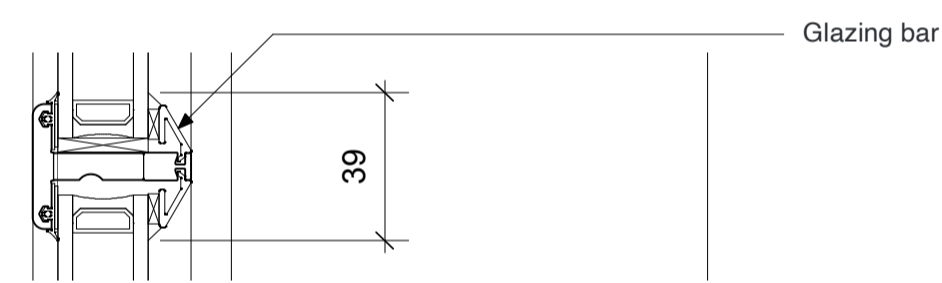
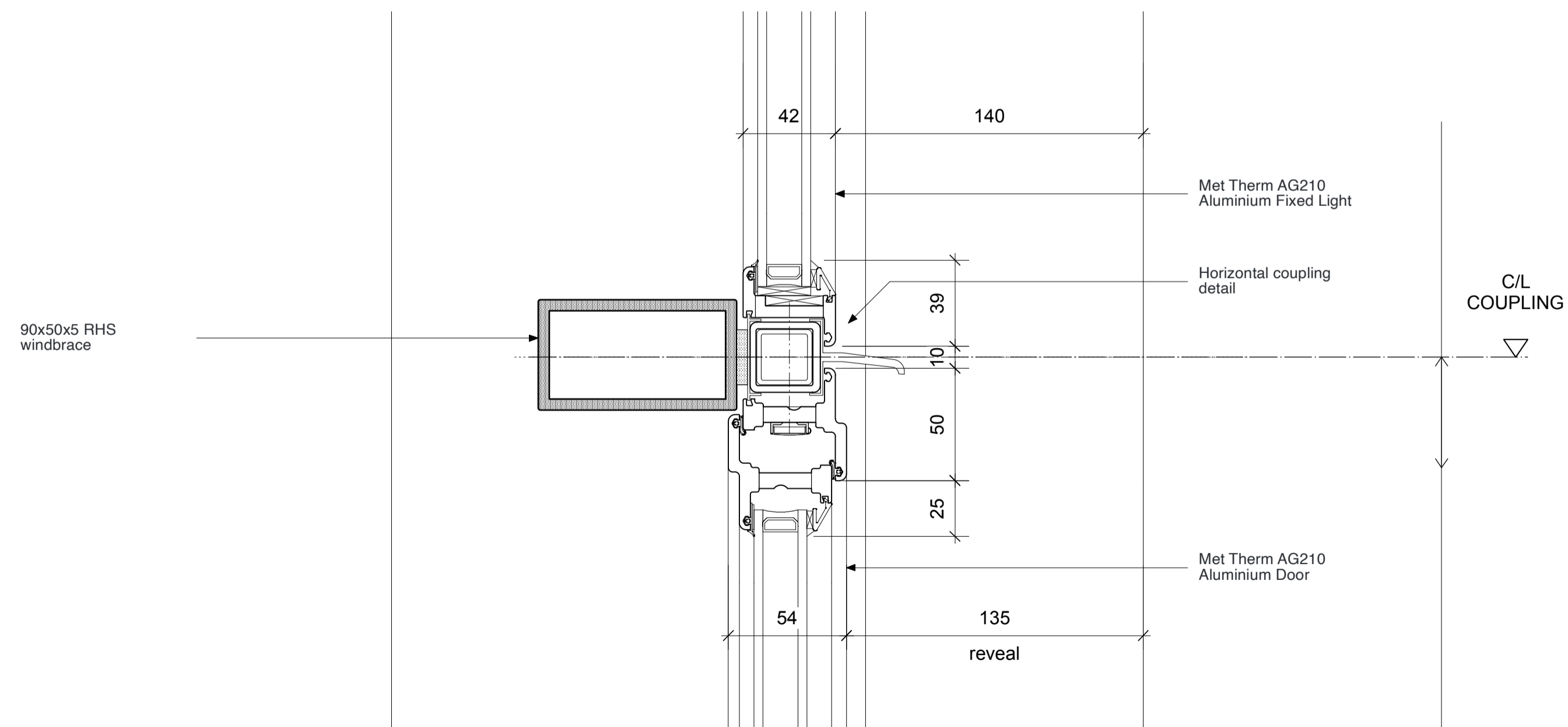


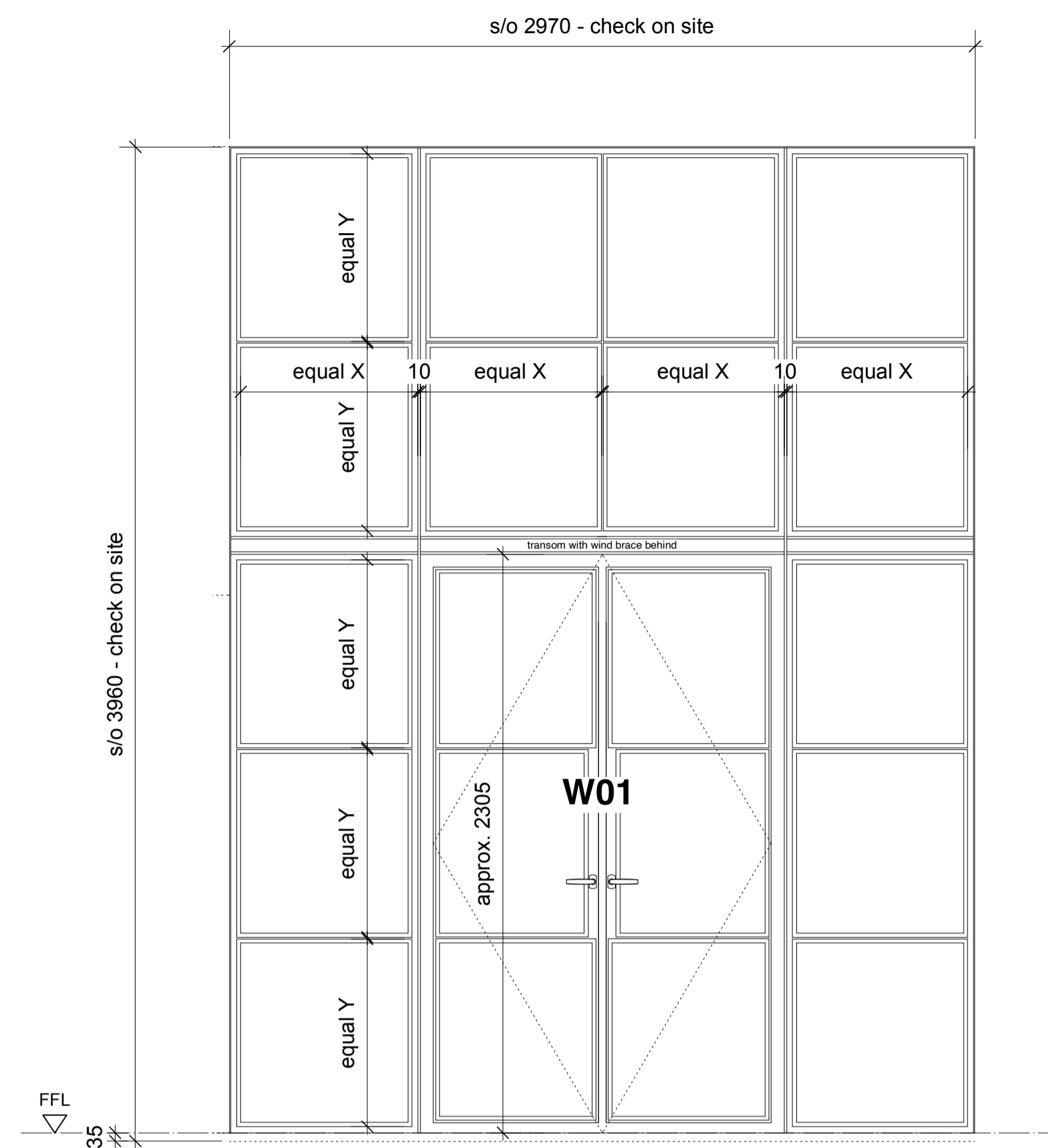
HEAD DETAIL
1:2 AT A1



GLAZING BAR DETAIL
1:2 AT A1



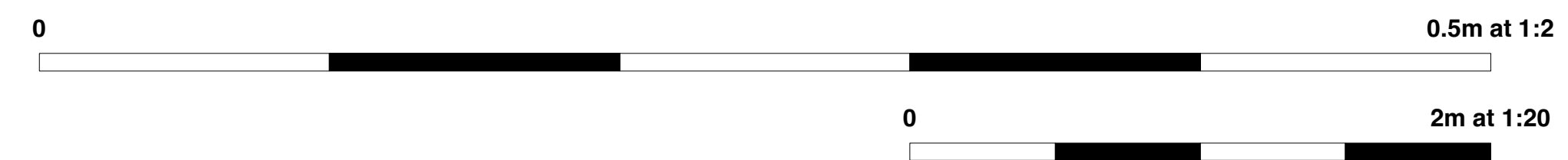
COUPLING DETAIL
1:2 AT A1



ELEVATION
1:20 AT A1

GLAZING SPECIFICATION:

SYSTEM: MET THERM AG210 ALUMINIUM DOORS AND FIXED LIGHTS
DEPTH OF REVEAL: 135 MM AT DOOR
METHOD OF OPENING: SIDE HUNG DOORS OPENING IN; FIXED LIGHTS
FINISH: POLYESTER POWDER COATED TO SW204G MANGANESE - METALLIC MATT



DO NOT SCALE FROM THIS DRAWING.

All critical dimensions not noted are to be measured on site or referred to architect.

Notes

Revisions

P1	10.01.22	Preliminary issue.
P2	23.02.22	S/O information added.
T1	05.04.22	Tender Issue
C1	05.12.22	Glazing updated to Met Therm details.
C2	10.03.23	Glazing configuration amended. Wind brace added.

Drawing Number 1022-31-C2

Content
FRONT ENTRANCE GLAZING
DETAILS - SHEET 1 OF 2

Scale 1:20 & 1:2 at A1 Date DEC 2021

THE OLD RECTORY,
ALBURY - BARN

OLIVER WEST & JOHN SCOTT ARCHITECTS
The Studio, 3A Bath Road, Tel 020 8995 4275
Bedford Park W4 1LL Fax 020 8742 7186
E-mail: studio@westscottarchitects.co.uk

Key

Drawing Number 1022-31-C2