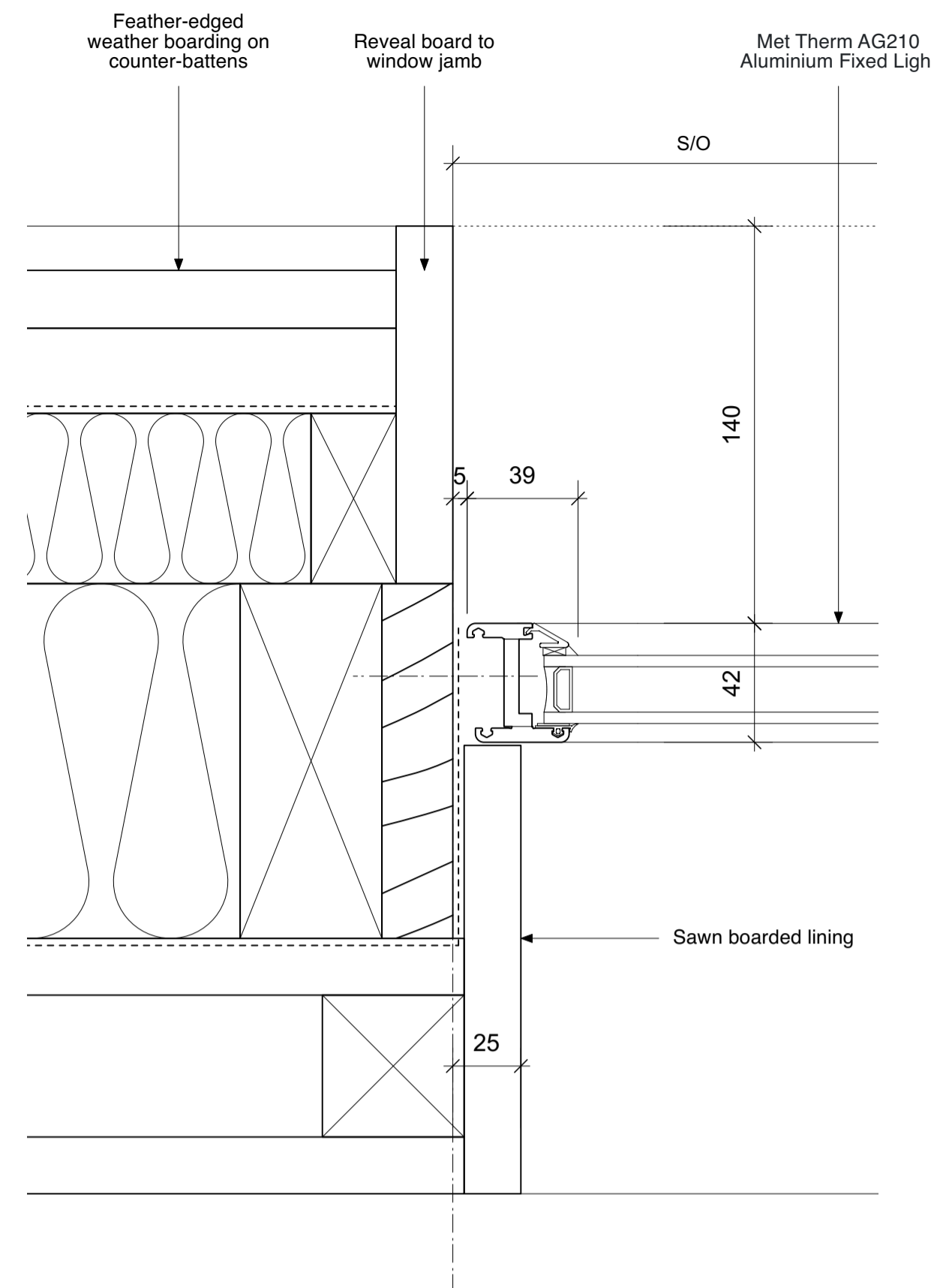
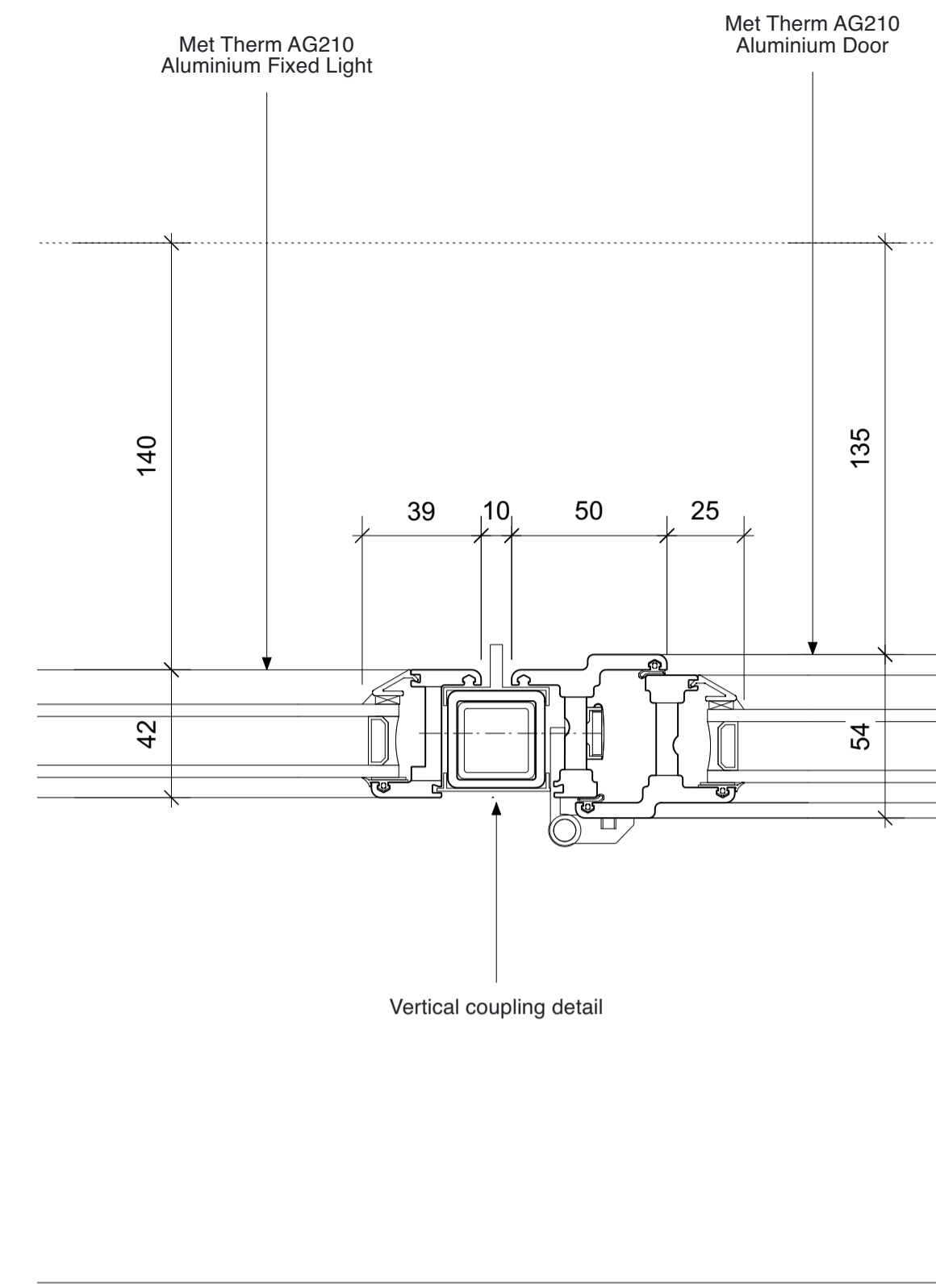


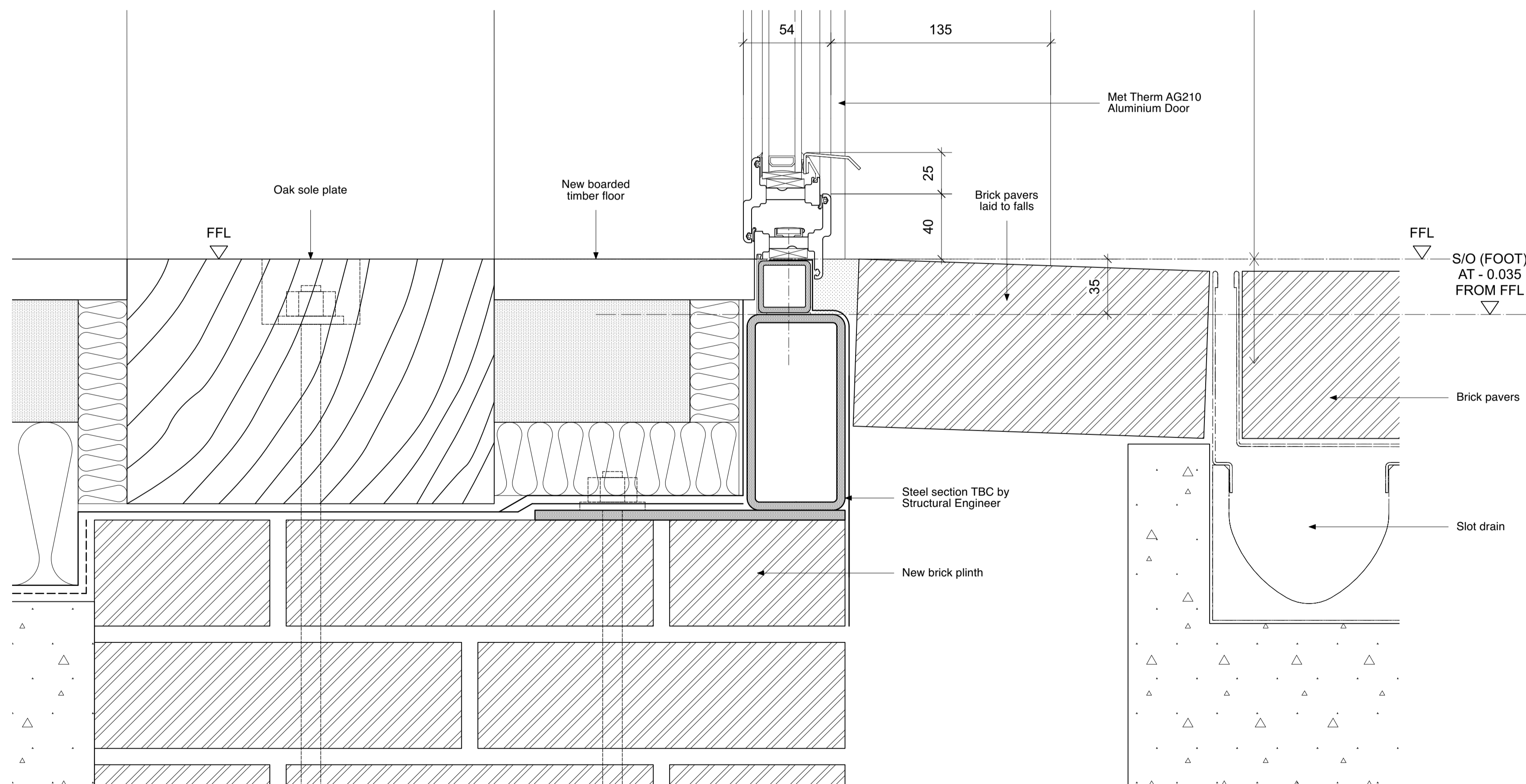
THRESHOLD DETAIL - FIXED CASEMENT
1:2 AT A1



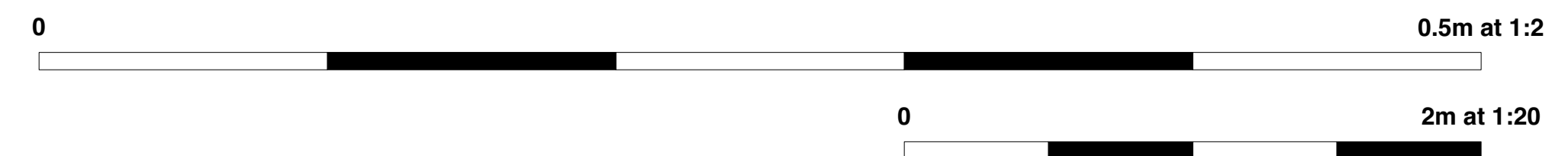
JAMB DETAIL
1:2 AT A1



COUPLING DETAIL
1:2 AT A1



THRESHOLD DETAIL - DOOR
1:2 AT A1



DO NOT SCALE FROM THIS DRAWING.

All critical dimensions not noted are to be measured on site or referred to architect.

Notes

Revisions

P1	10.01.22	Preliminary issue.
P2	23.02.22	S/O information added. Update to threshold details.
T1	05.04.22	Tender Issue
C1	05.12.22	Glazing updated to Met Therm details.

Drawing Number 1022-32-C1

Content
**FRONT ENTRANCE GLAZING
DETAILS - SHEET 2 OF 2**

Scale 1:20 & 1:2 at A1 Date DEC 2021

**THE OLD RECTORY,
ALBURY - BARN**

OLIVER WEST & JOHN SCOTT ARCHITECTS
The Studio, 3A Bath Road,
Bedford Park W4 1LL
E-mail: studio@westscottarchitects.co.uk
Tel 020 8995 4275
Fax 020 8742 7186

Key

Drawing Number 1022-32-C1