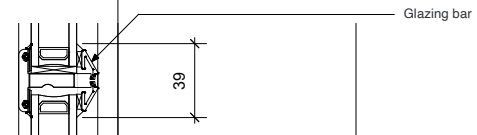
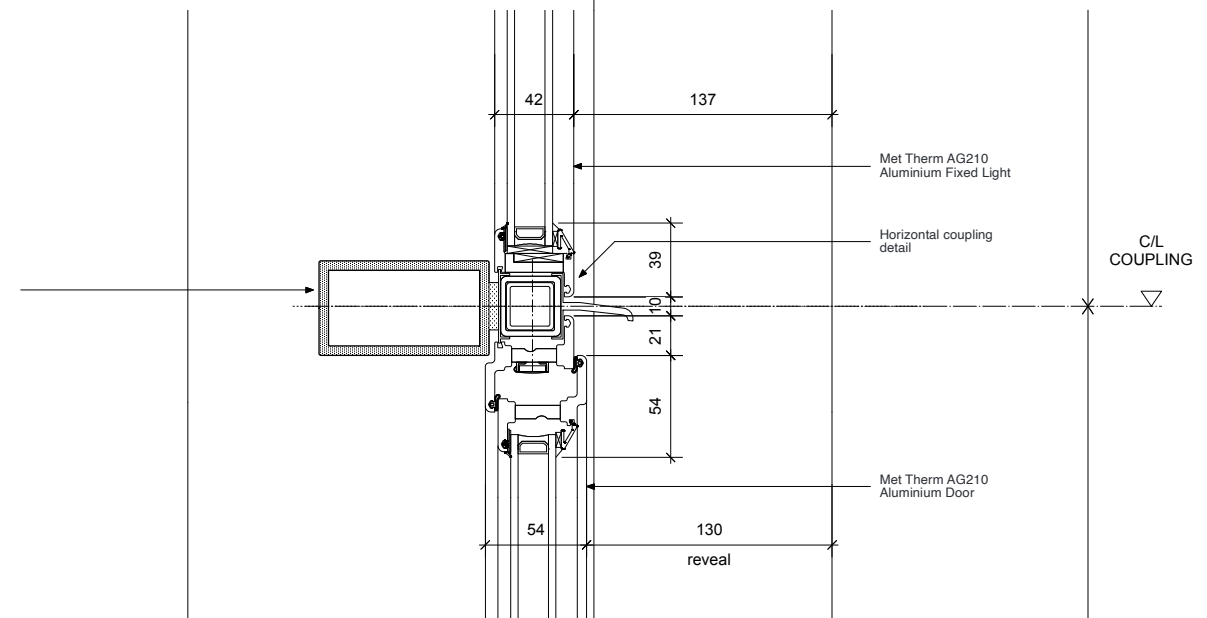


HEAD DETAIL  
1:2 AT A1

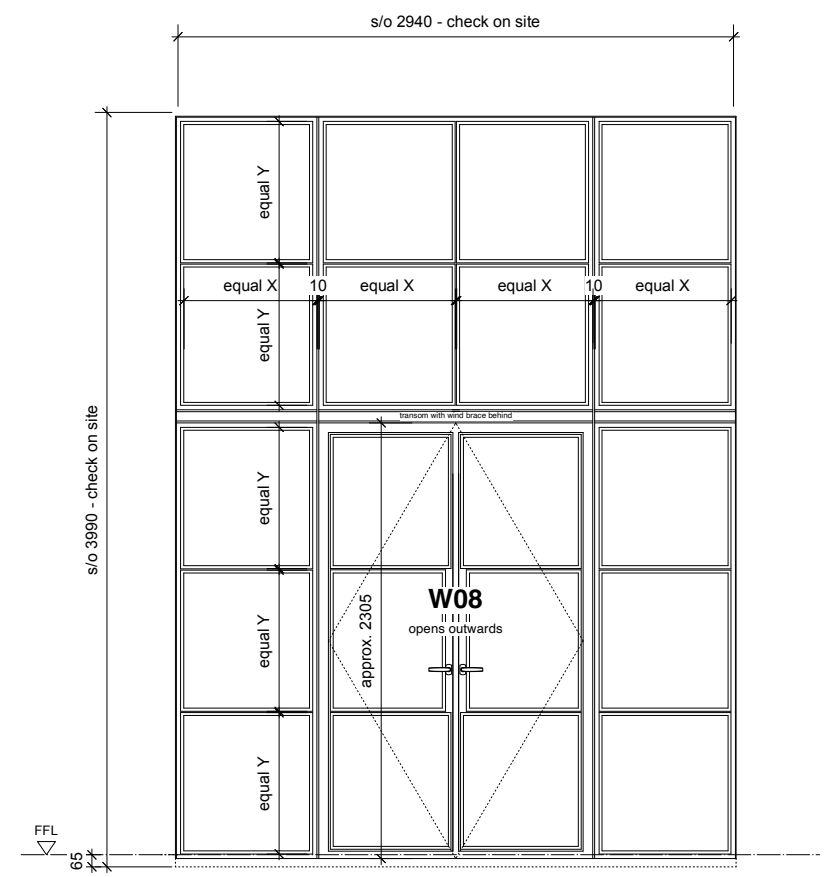
GLAZING BAR DETAIL  
1:2 AT A1



90x50x5 RHS windbrace



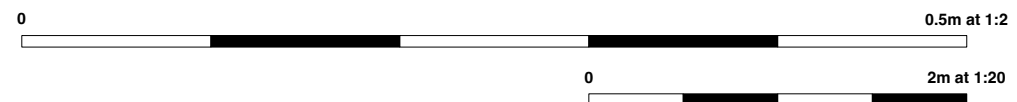
COUPLING DETAIL  
1:2 AT A1



ELEVATION  
1:20 AT A1

**GLAZING SPECIFICATION:**

**SYSTEM: MET THERM AG210 ALUMINIUM DOORS AND FIXED LIGHTS**  
**DEPTH OF REVEAL: 130 MM AT DOOR**  
**METHOD OF OPENING: SIDE HUNG DOORS OPENING OUT; FIXED LIGHTS**  
**FINISH: POLYESTER POWDER COATED TO SW204G MANGANESE - METALLIC MATT**



DO NOT SCALE FROM THIS DRAWING.  
 All critical dimensions not noted are to be measured on site or referred to architect.  
 Notes

Revisions

P1	10.01.22	Preliminary issue.
P2	23.02.22	S/O information added.
T1	05.04.22	Tender Issue
C1	05.12.22	Glazing updated to Met Therm details.
C2	10.03.23	Glazing configuration amended. Wind brace added.

Drawing Number 1022-33-C2  
 Content BACK ENTRANCE GLAZING DETAILS - SHEET 1 OF 2  
 Scale 1:20 & 1:2 at A1 Date DEC 2021

THE OLD RECTORY,  
 ALBURY - BARN  
 OLIVER WEST & JOHN SCOTT ARCHITECTS  
 The Studio, 3A Bath Road,  
 Bedford Park W4 1LL  
 E-mail: studio@westscottarchitects.co.uk  
 Tel 020 8995 4275  
 Fax 020 8742 7186

Key

Drawing Number 1022-33-C2