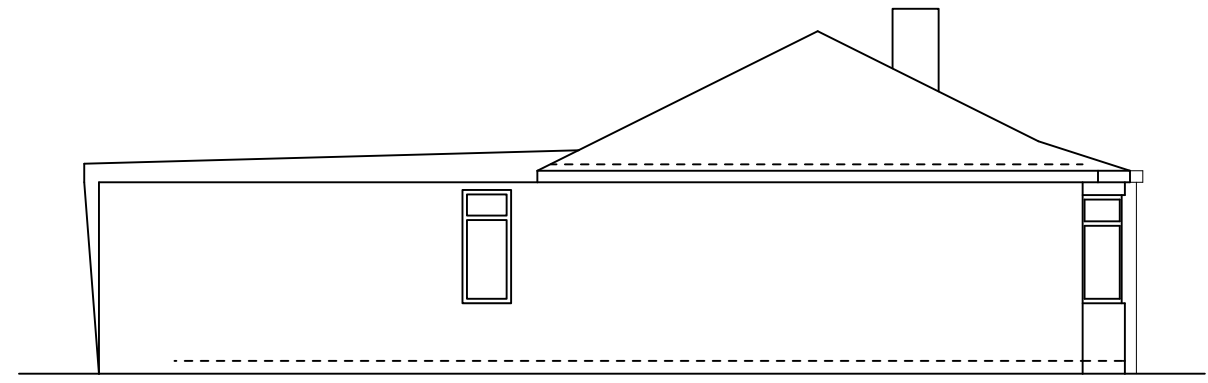


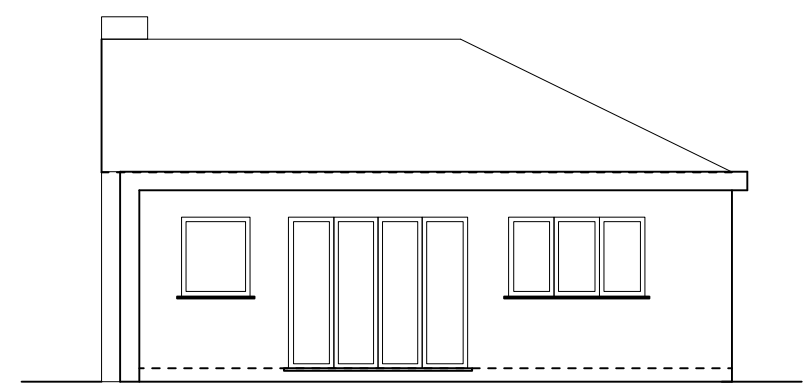
Notes



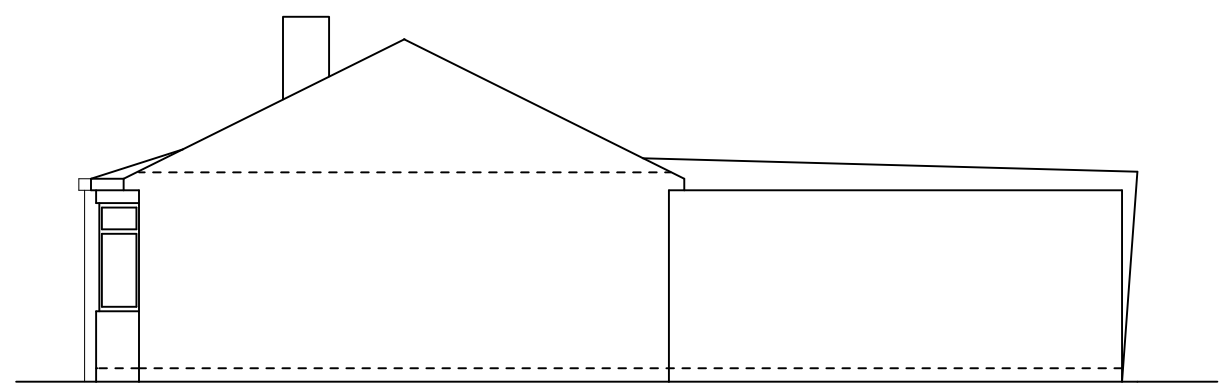
Front Elevation



Side Elevation (detached side)



Rear Elevation



Side Elevation (attached side)



Revision No.	001	
Project	12 Bradfields Avenue, Chatham ME5 0LE	
Title	Residential	
Org	Proposed	
Title	Elevations	
Projection		
Drawn BRC	Date	Scale
Checked	15/10/2023	1:100@A3
Project No.	DRG No.	
188	3	