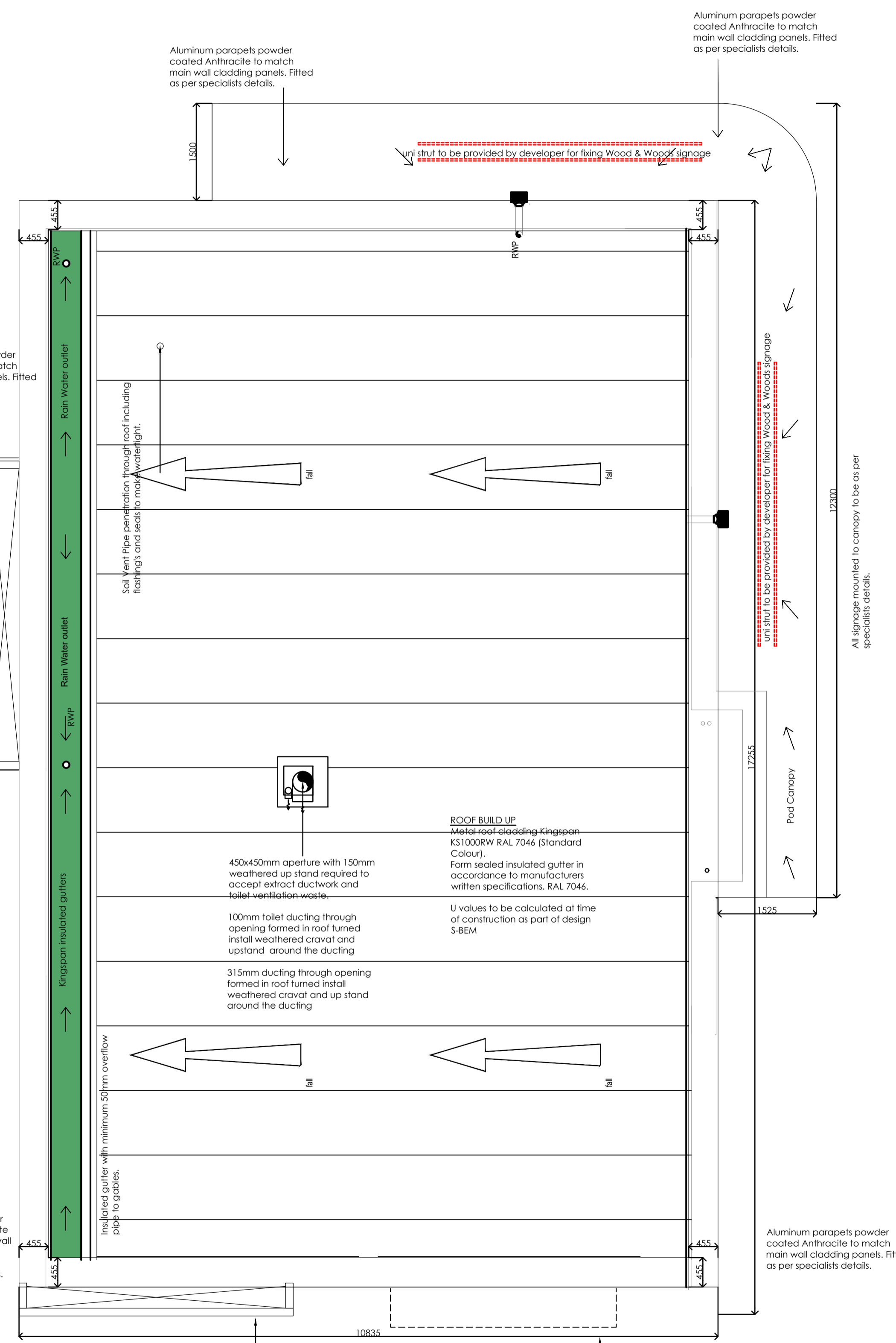
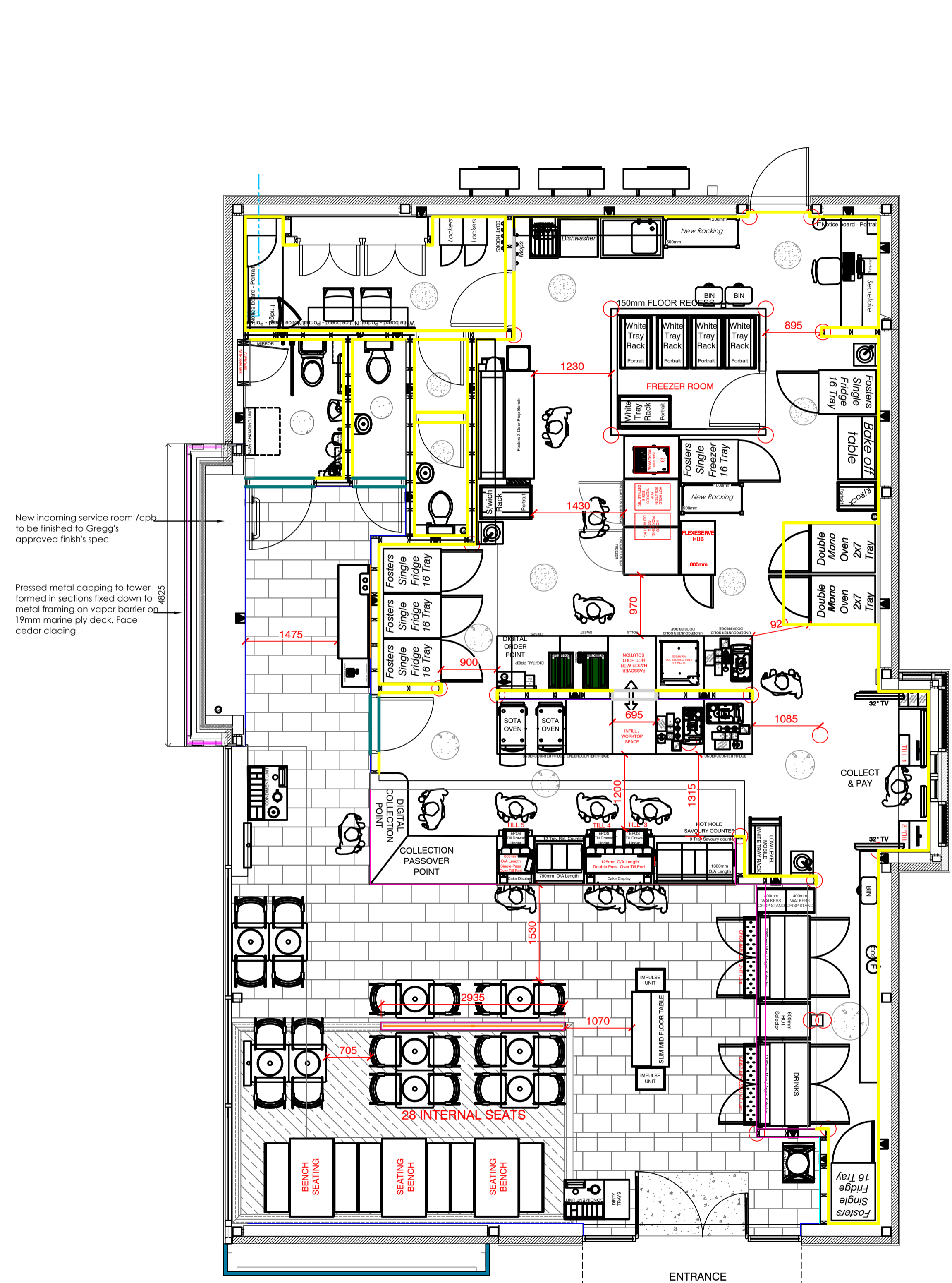


NOTES

The designs and details on this drawing are copyright and must not be reproduced without the written permission of the designer.

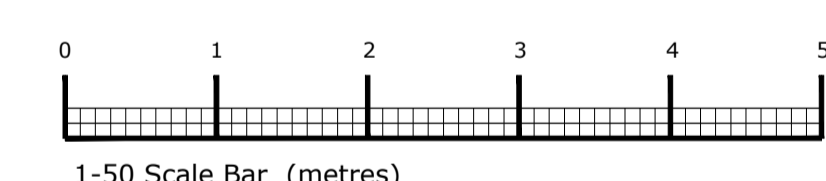
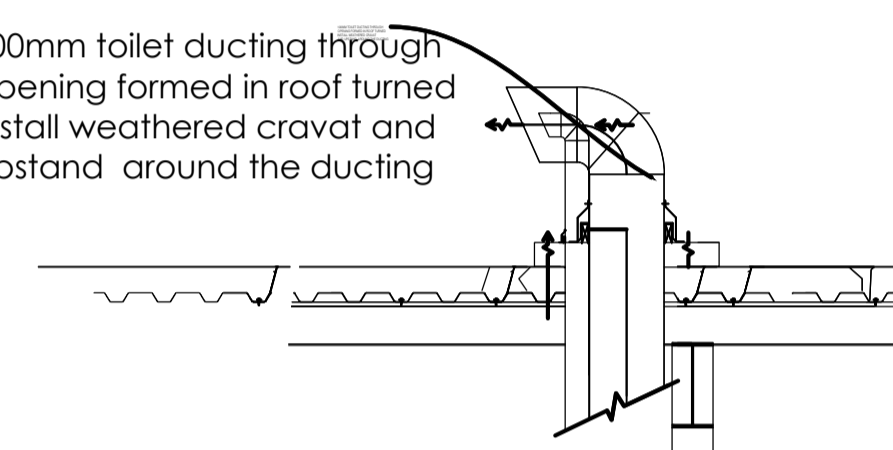
Contractors are to check all sizes and dimensions before setting out any site or shopwork. Any errors or discrepancies to be reported to the designer.

REVISIONS	DATE
REV - A Updated to planning requirements	07/03/22 JAA
REV - B Updated to show roof ductwork	10/05/22 JAA
REV - C Title block amended	15/02/23 JAA
REV - D Safe omitted	15/02/23 JAA
REV - E Updated to capture NMA	23/11/23 MTL



450x450mm aperture with 150mm weathered up stand required to accept extract ductwork and toilet ventilation waste.

100mm toilet ducting through opening formed in roof turned install weathered cravat and upstand around the ducting



PLANNING

DRAWING DESCRIPTION
PROPOSED GREGGS FLOOR PLANS (PLANNING)

JOB TITLE
PROPOSED GREGGS DRIVE THRU EMERSON GREEN SITE BRISTOL

CLIENT
GREENE KING

DRAWN BY J Asbridge	SCALE 1:50@A1
DATE FEB 2022	DRAWING NO. 2111 - 08
CHECKED	REVISION E

John Dixon & Associates Ltd,
 Unit 211
 Chambers Business Centre,
 Chapel Road,
 Oldham
 OL8 4QQ
 TEL : 0161 682 0964
 FAX : 0161 683 4106
 E-MAIL : info@johndixon.co.uk
 WEB : www.jda-design.com

New incoming service room /cpt to be finished to Gregg's approved finish's spec

Pressed metal capping to lower formed in sections fixed down to metal framing on vapor barrier on 19mm marine ply deck. Face cedar cladding

Aluminum parapets powder coated Anthracite to match main wall cladding panels. Fitted as per specialists details.

Pressed metal capping to lower formed in sections fixed down to metal framing on vapor barrier on 19mm marine ply deck.

Aluminum parapets powder coated Anthracite to match main wall cladding panels. Fitted as per specialists details.

Aluminum parapets powder coated Anthracite to match main wall cladding panels. Fitted as per specialists details.

Aluminum parapets powder coated Anthracite to match main wall cladding panels. Fitted as per specialists details.

Pressed metal capping to lower formed in sections fixed down to metal framing on vapor barrier on 19mm marine ply deck.

Aluminum parapets powder coated Anthracite to match main wall cladding panels. Fitted as per specialists details.

All signage mounted to canopy to be as per specialists details.

dashed outline of canopy over glazed entrance door.