

EXTERNAL FURNITURE ①



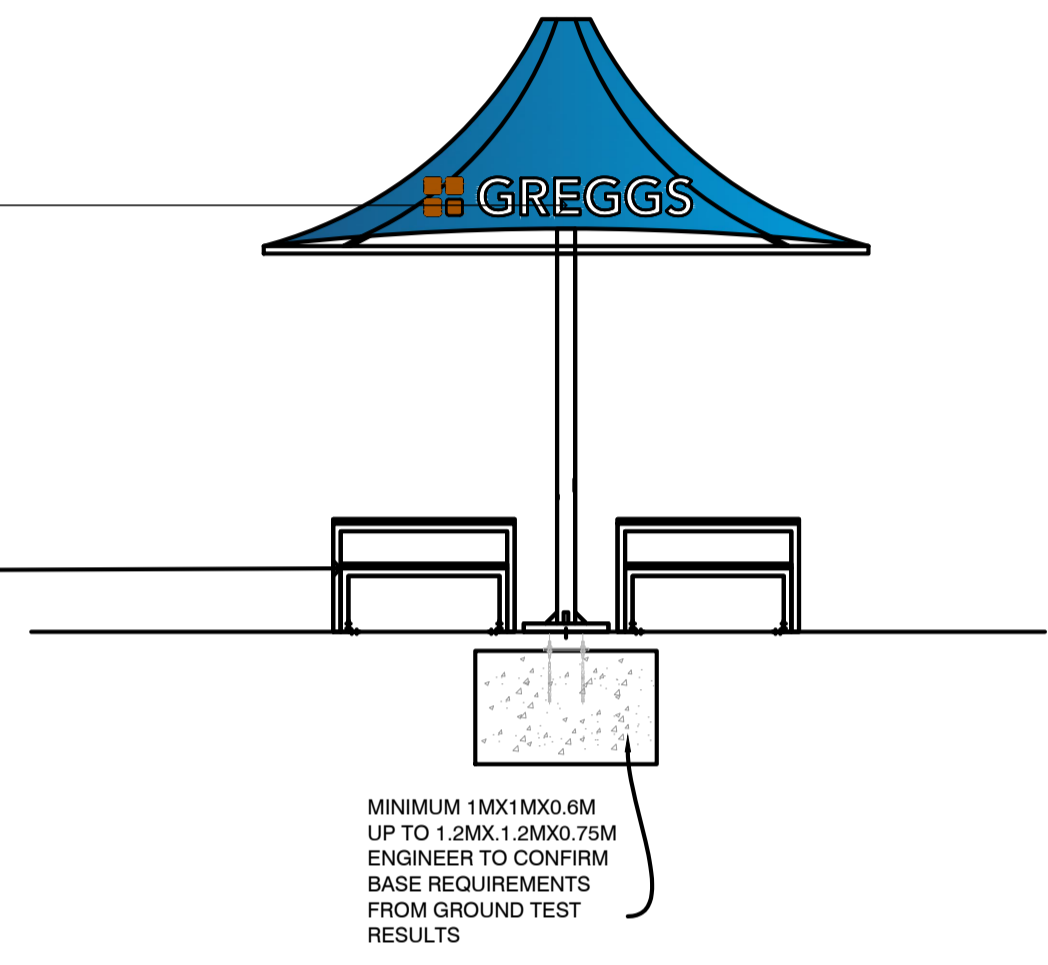
NOTES
 The designs and details on this drawing are copyright and must not be reproduced without the written permission of the designer.
 Contractors are to check all sizes and dimensions before setting out any site or shopwork. Any errors or discrepancies to be reported to the designer.

REVISIONS

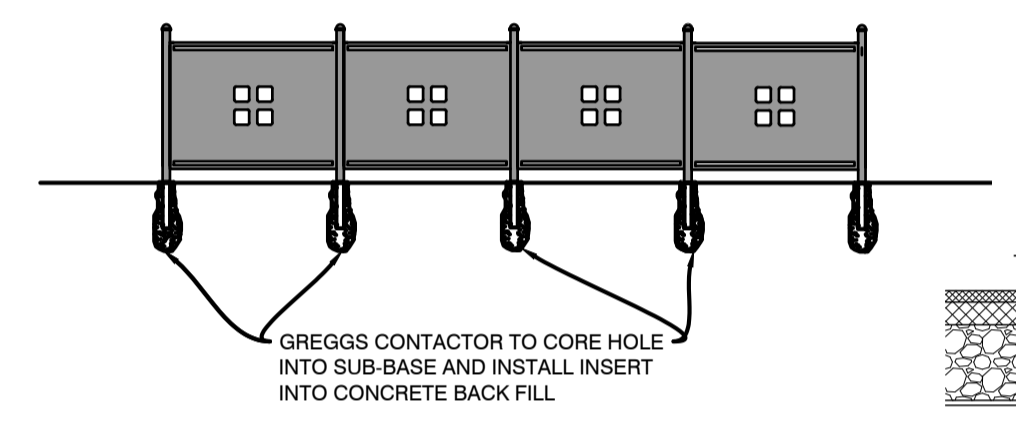
REVISIONS	DATE
REV- A Updated in line with planning requirements	06.03.22 JAA
REV- B Updated to highlight landscaped areas	16.03.22 JAA
REV- C Height barrier to drive thru relocated	06.05.22 JAA
REV- D Updated patio layout.	16.11.22 JAA
REV- E Updated patio layout.	23.01.23 JAA
REV- F Updated title block.	15.02.23 JAA
REV- G Updated to show cycle shelter.	16.05.23 JAA
REV- H Updated to updated building for NMA.	03.01.24 JAA

Poseidon Tensile Jumbrella to be supplied by Shades of Comfort and fitted by Greggs. Developer to install foundation and install the in ground sleeve as directed by Shades of Comfort.

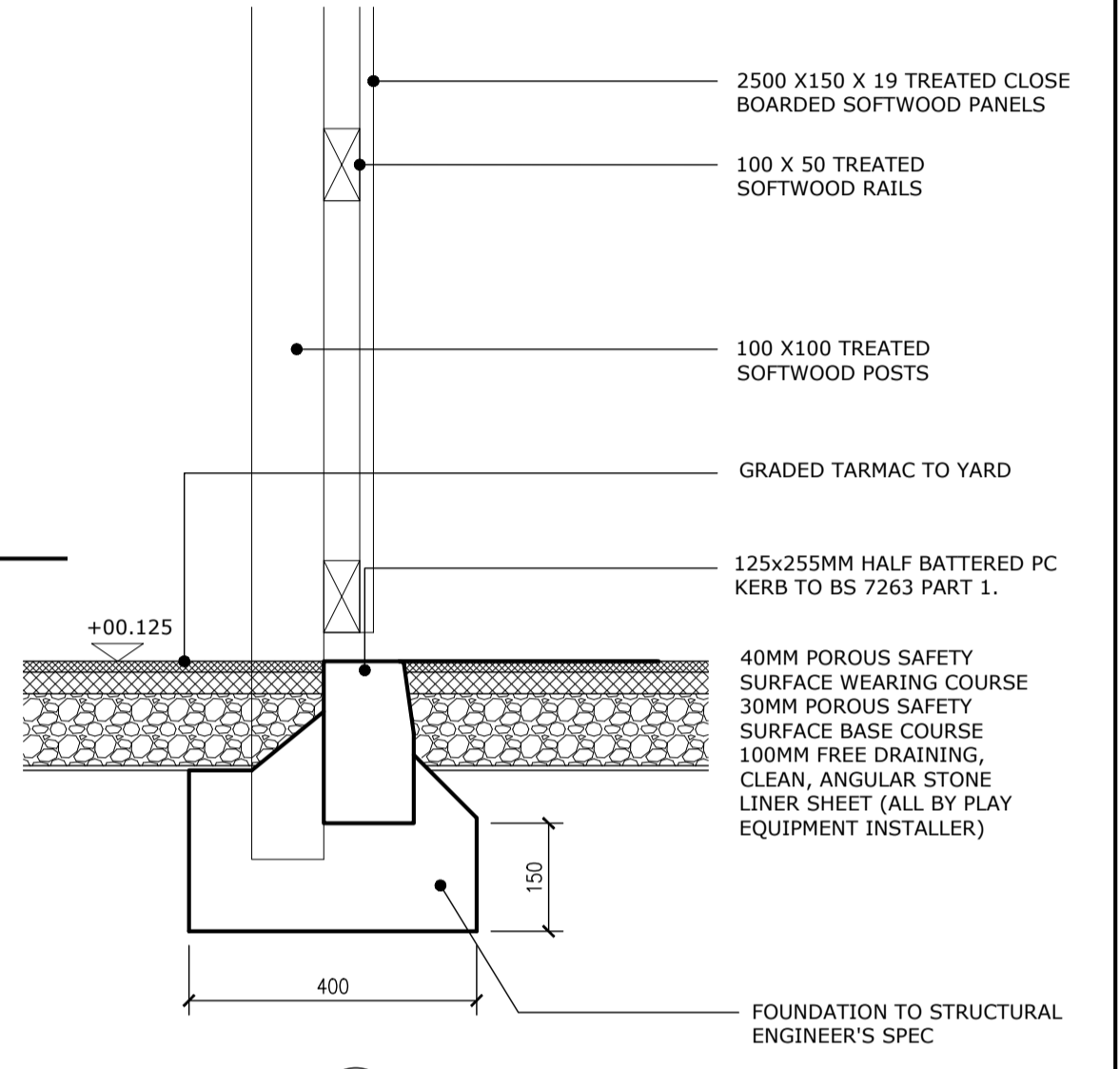
Patio furniture to be supplied by contract furniture and fitted by Greggs. Developer to ensure suitable substrate / foundations available for fixing down patio furniture. Patio furniture to be fixed using plug and coach bolt/ concrete fixing screw/ floor fix bolt depending on patio finishes.



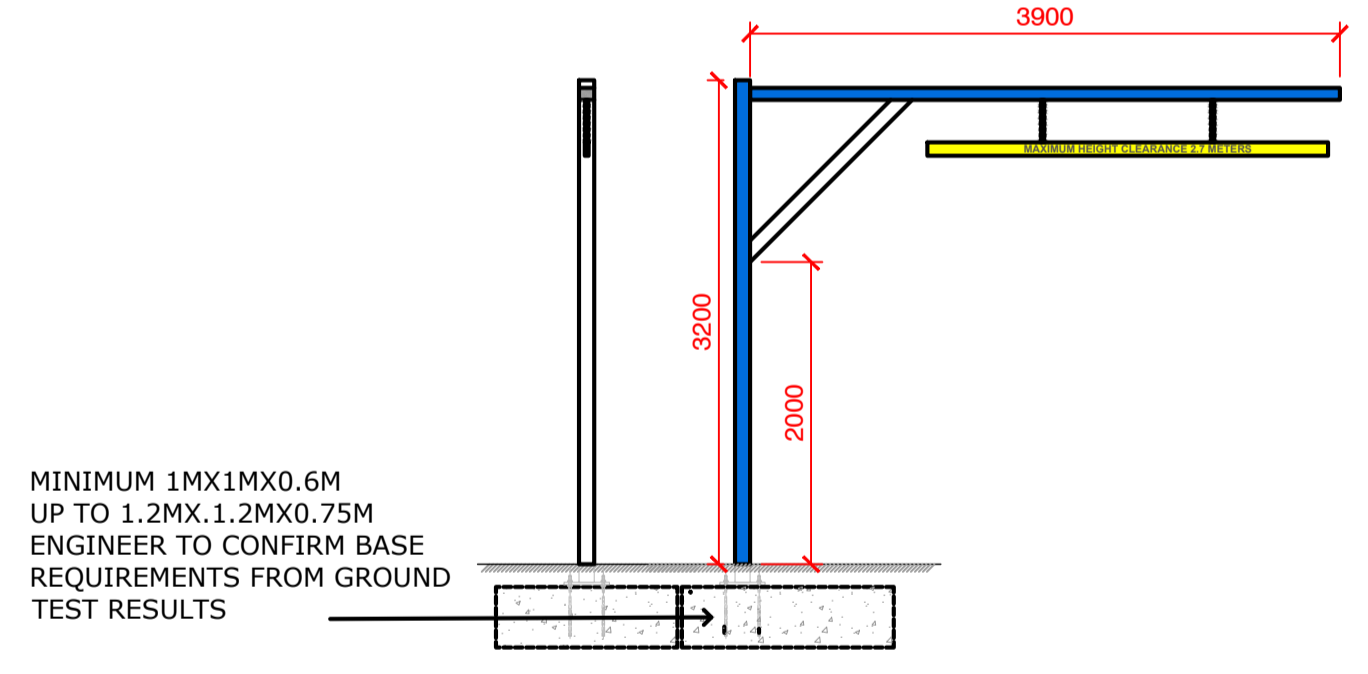
TYPICAL JUMBRELLA ②
 Scale 1:50@A1



TYPICAL BARRIERS ③
 Scale 1:50@A1



YARD DETAIL ⑦
 SCALE 1:10

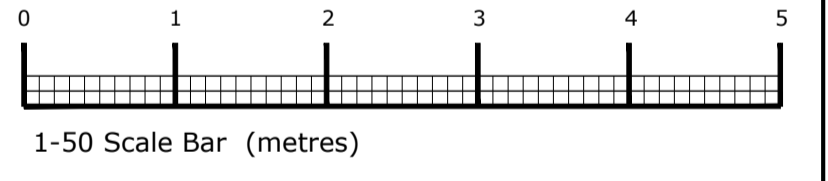


DRIVE THRU BARRIER ④

MINIMUM 1MX1MX0.6M UP TO 1.2MX1.2MX0.75M ENGINEER TO CONFIRM BASE REQUIREMENTS FROM GROUND TEST RESULTS



TYPICAL FURNITURE ①



PLANNING

DRAWING DESCRIPTION
 PROPOSED EXTERNAL TREATMENTS

JOB TITLE
 PROPOSED GREGGS DRIVE THRU EMERSON GREEN SITE BRISTOL

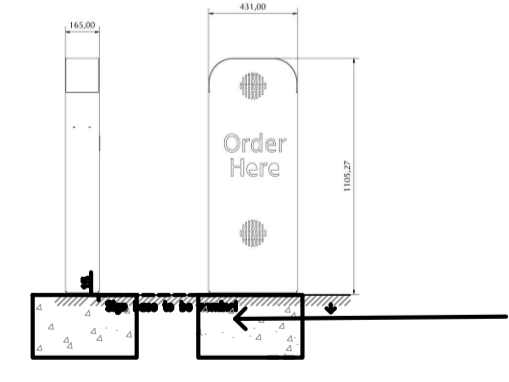
CLIENT
 GREENE KING

DRAWN BY J Asbridge SCALE AS SHOWN @A1
 DATE FEB 2022 DRAWING NO. 2111 - 06 REVISION H
 CHECKED

John Dixon & Associates Ltd, Unit 211 Chambers Business Centre, Chapel Road, Oldham OL8 4QQ
 TEL : 0161 682 0964
 FAX : 0161 683 4106
 E-MAIL : info@johndixon.co.uk
 WEB : www.jda-design.com



CYCLE SHELTER ⑥
 for 6 toast rack Urban Fab USP/ES6/3HR shelter 2150w x 2088d x 2100h



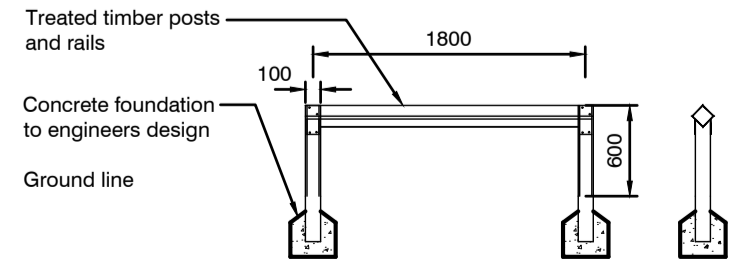
SPEAKER POST ⑤

MINIMUM 1MX1MX0.6M UP TO 1.2MX1.2MX0.75M ENGINEER TO CONFIRM BASE REQUIREMENTS FROM GROUND TEST RESULTS

MATERIAL SAMPLES



EXTERNAL PAVING
 Aggregate Industries, Moordale Textured, 400 x 400 colour - natural



ELEVATION KNEE RAIL FENCE ⑧
 1:50