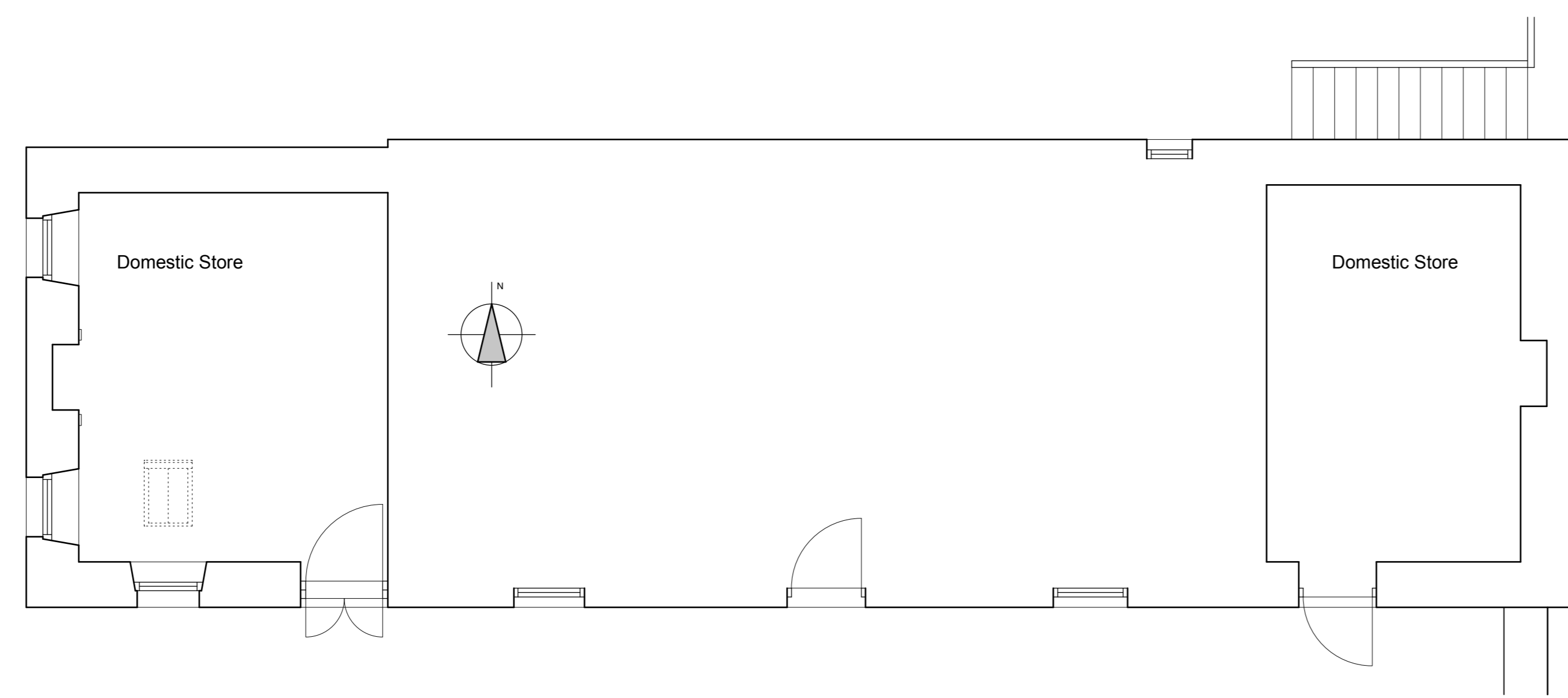
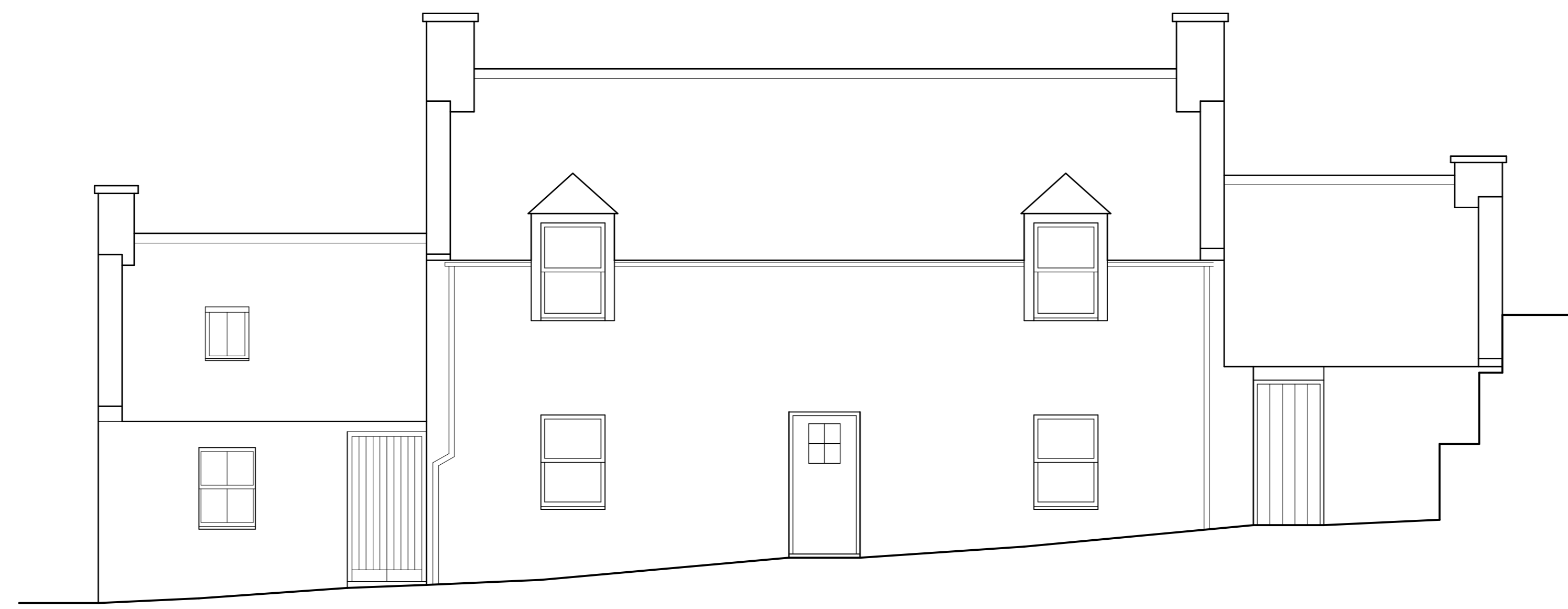
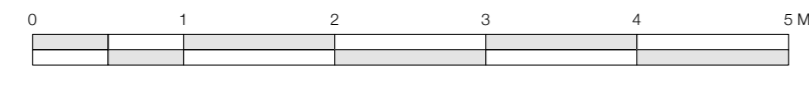


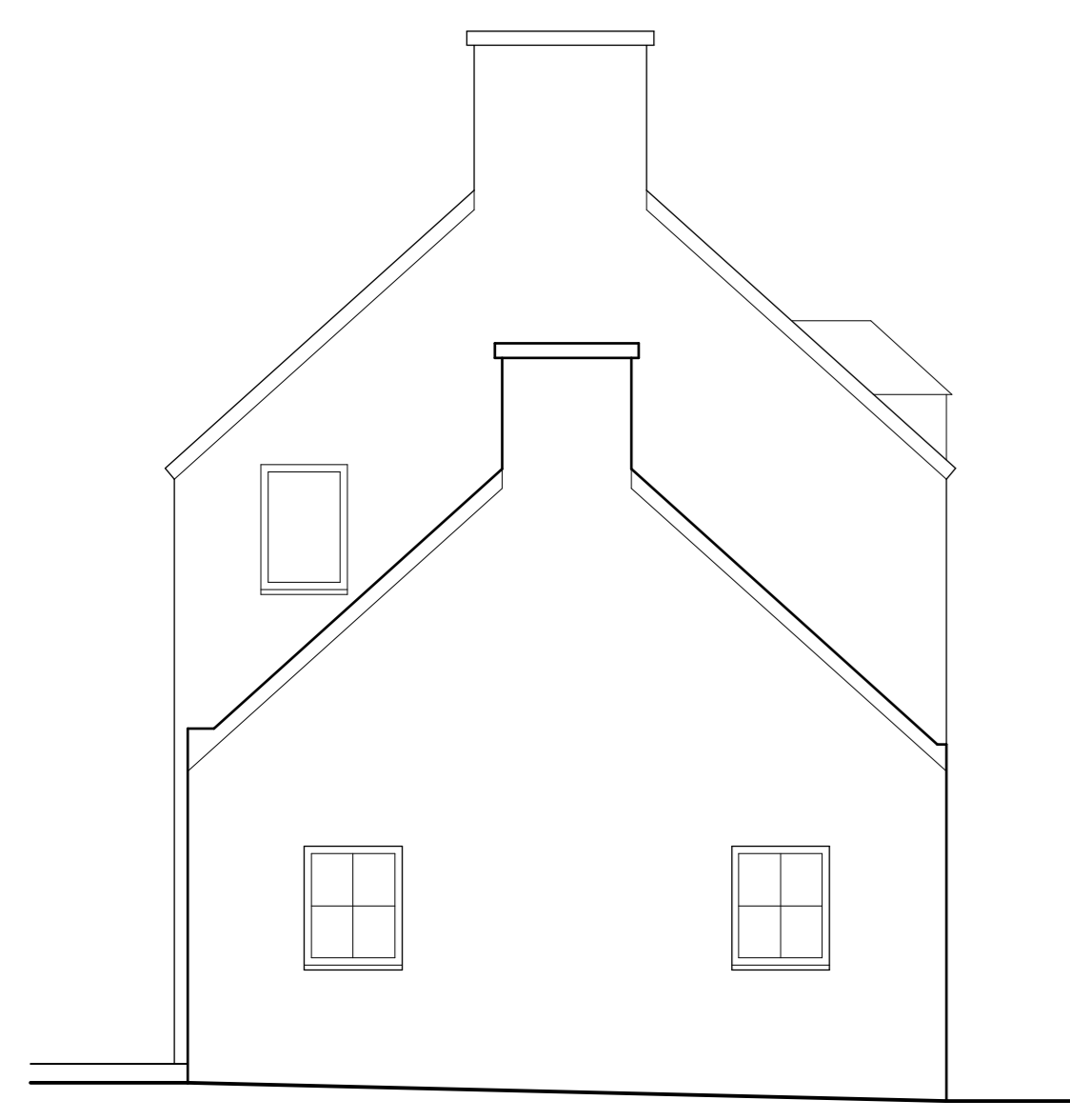
FINISHES	
As Existing	
Roof	Profiled Sheeting
As Proposed	
Roof	Spanish Slates



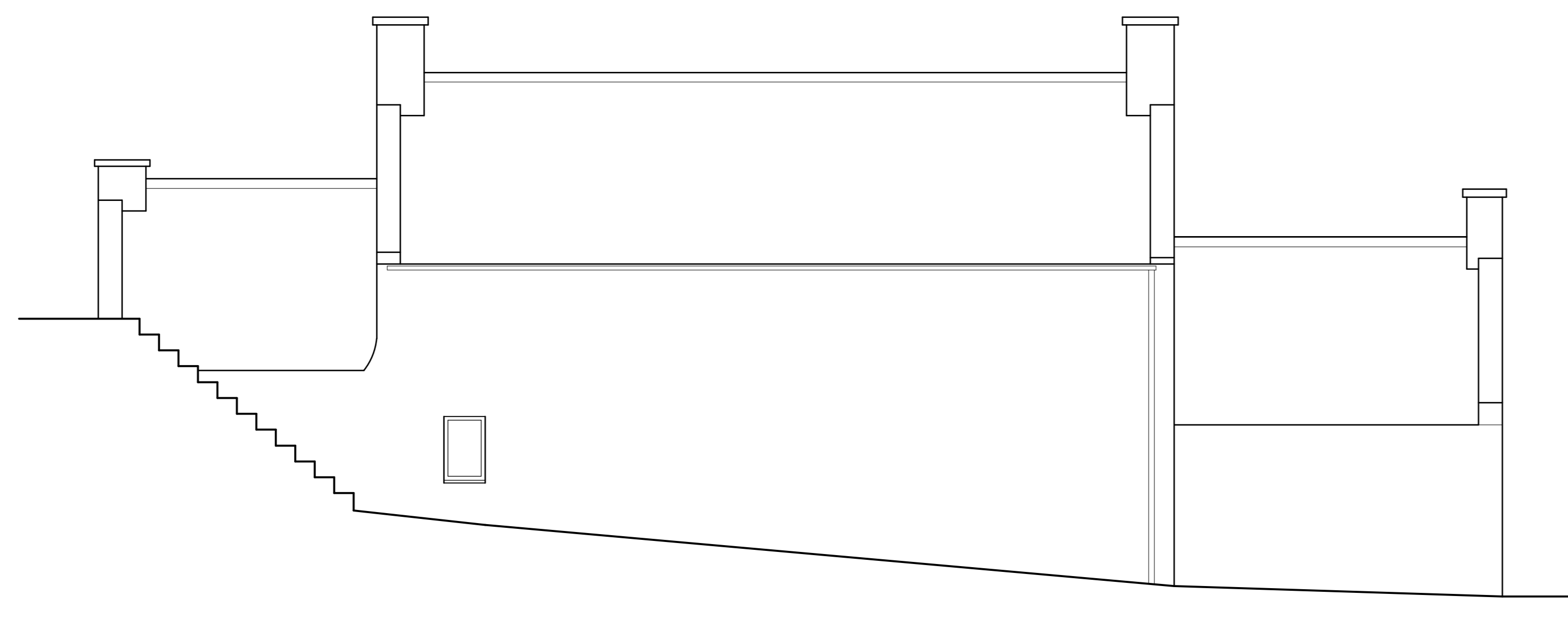
Ground Floor Plan. 1:50



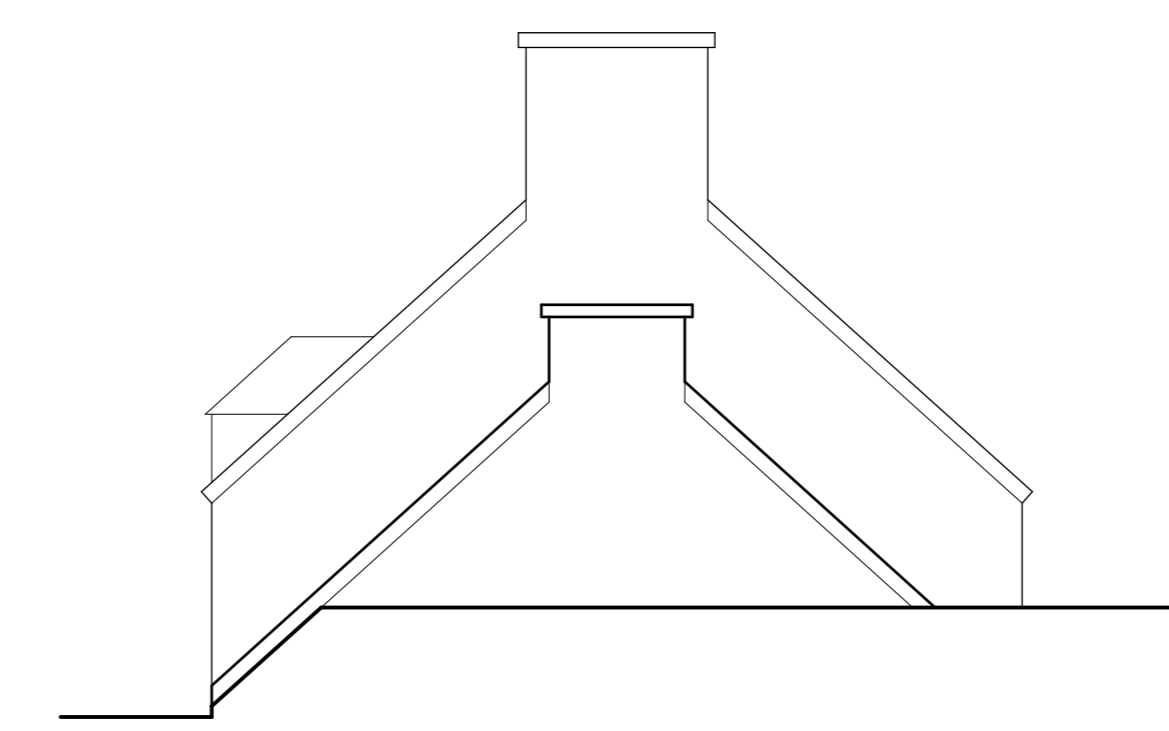
South Elevation. 1:50



West Elevation. 1:50



North Elevation. 1:50



East Elevation. 1:50

No	Revisions	Date	Initials

MANTELL RITCHIE
Chartered Architects

27A High Street, BANFF,
AB24 5AA
Tel: 01261 812267
Email: admin@mantellritchie.co.uk
www.mantellritchie.com

Copyright of Mantell Ritchie, Chartered Architect.

project
46 / 47 Crovie

Proposed Re-Roofing
for
Ms R West

content			
Existing Plans and Elevations			
scales			
1:50			
drawn by	size	date	
MR	A0	22.11.23	
ref	23099	EX	