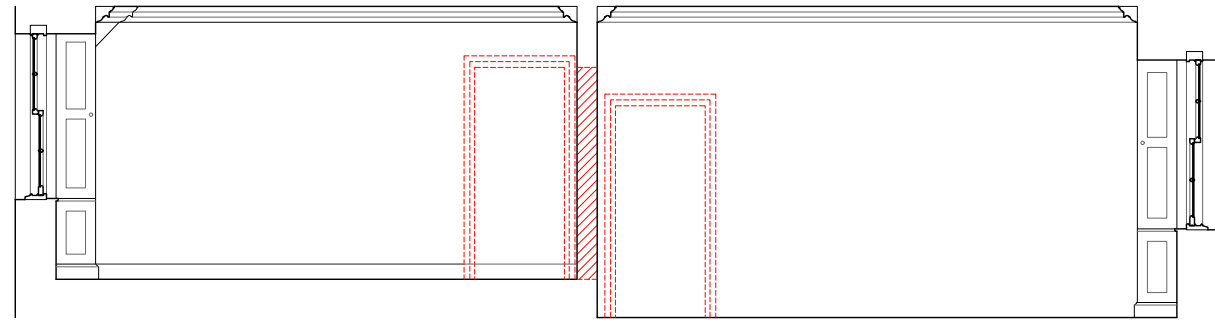



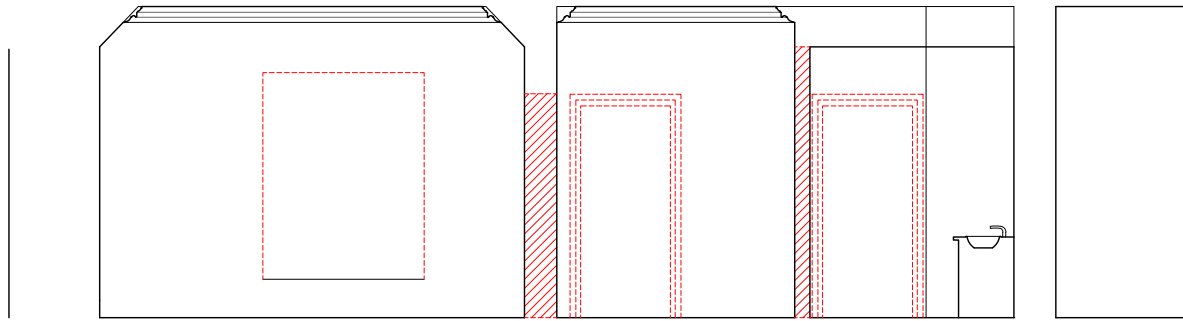
Internal elevation A



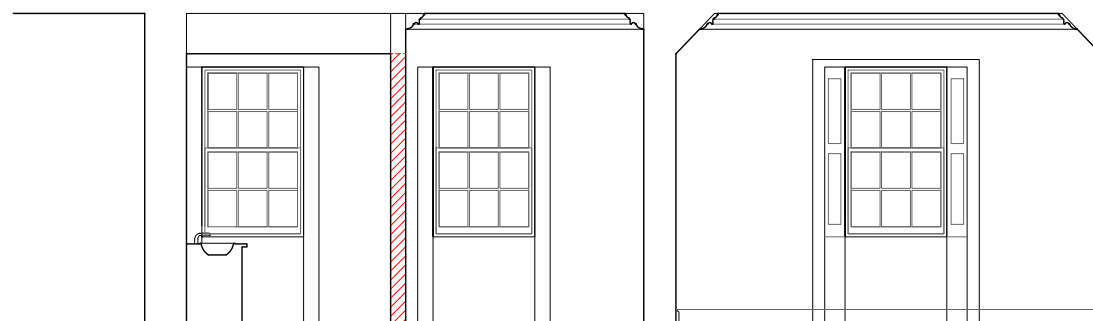
Internal elevation B

KEY
 Slapping / dewatering

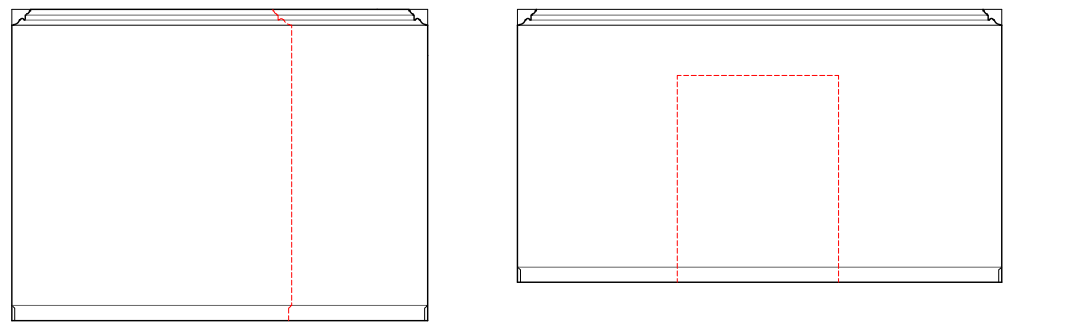
Note:
 Former floor plans and elevations as per information provided to Meta architecture



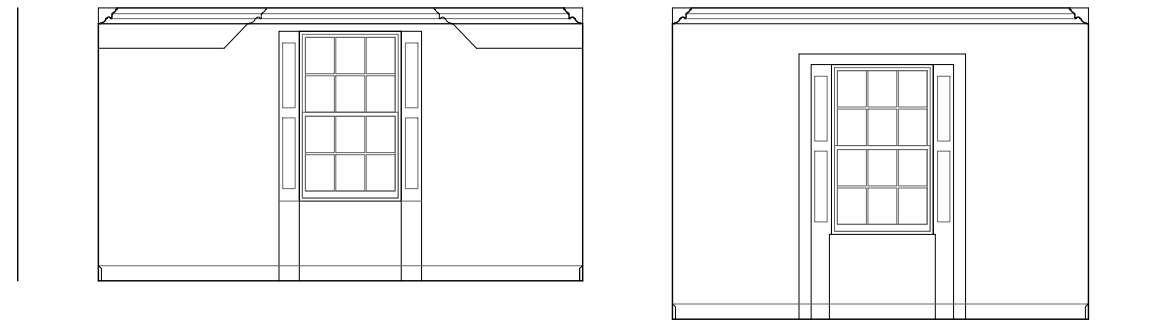
Internal elevation C



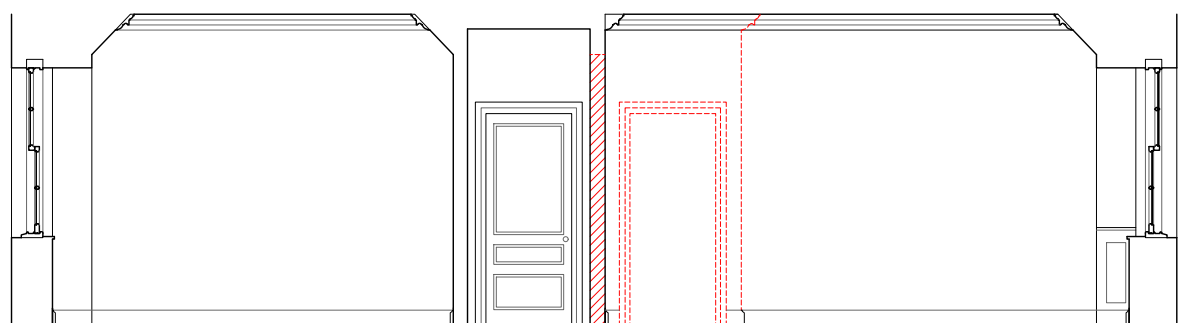
Internal elevation D



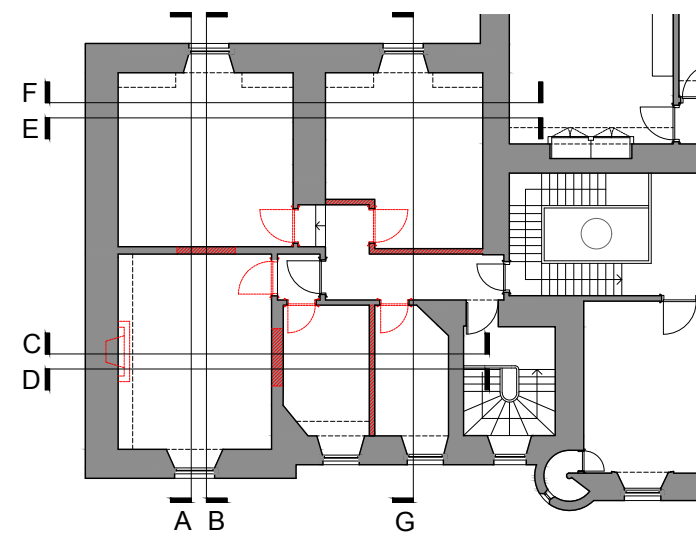
Internal elevation E



Internal elevation F



Internal elevation G



REV. DATE DETAILS BY
 Listed Building Consent

META
 architecture
 40 CONSTITUTION ST. EDINBURGH EH6 6RS
 0131 6297838 info@metaarchitecture.co.uk
 Ormiston House
 Bentley States

Former internal elevations
 First floor

BHO6(LBC)004
 Revision: Drawn by: GN
 Scale/format: 1:100 @A3 Date: 15.12.23
 1. This drawing is intended for Listed Building Consent only.

Former internal elevations
First floor
 Scale 1:75



1:75@a3