

Tree Protection Plan
Rear 1 Marlborough Avenue

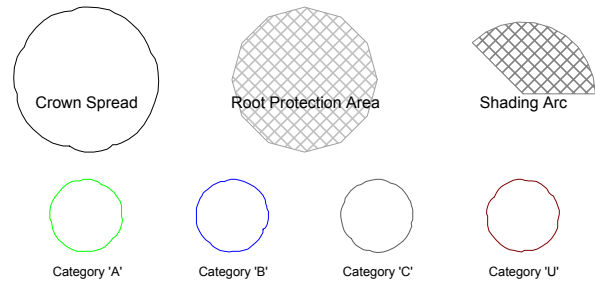
SCALE :
1 : 100 @ A3

DATE :
09/12/2023



MAP FILENAME :
TPPV1

Map data shown may contain Ordnance Survey® products supplied by Pear Technology Services Ltd; Email: info@peartechology.co.uk
© Crown Copyright and database rights from date shown above
Ordnance Survey® licence number 100023148



Tree Protection shall be installed following the removal of the existing timber structure. The fencing shall be installed as indicated on this plan as TPF1. The fencing shall be fixed into place using baseplates fixed into position with steel road pins.




The fencing shall only be relocated to position TPF2 to enable the installation of the cellular confinement system. TPF2

Arboricultural Method Statement.

Remove timber structure.

Project arboriculturist to assess ground conditions within root protection areas.

Install 100mm depth cellular confinement system using Cellweb TRP to create load bearing, porous parking area for 1 x PLG vehicle.

-  Cellular Confinement System
-  Tree Protective Fence TPF1
-  Tree Protective Fence TPF2

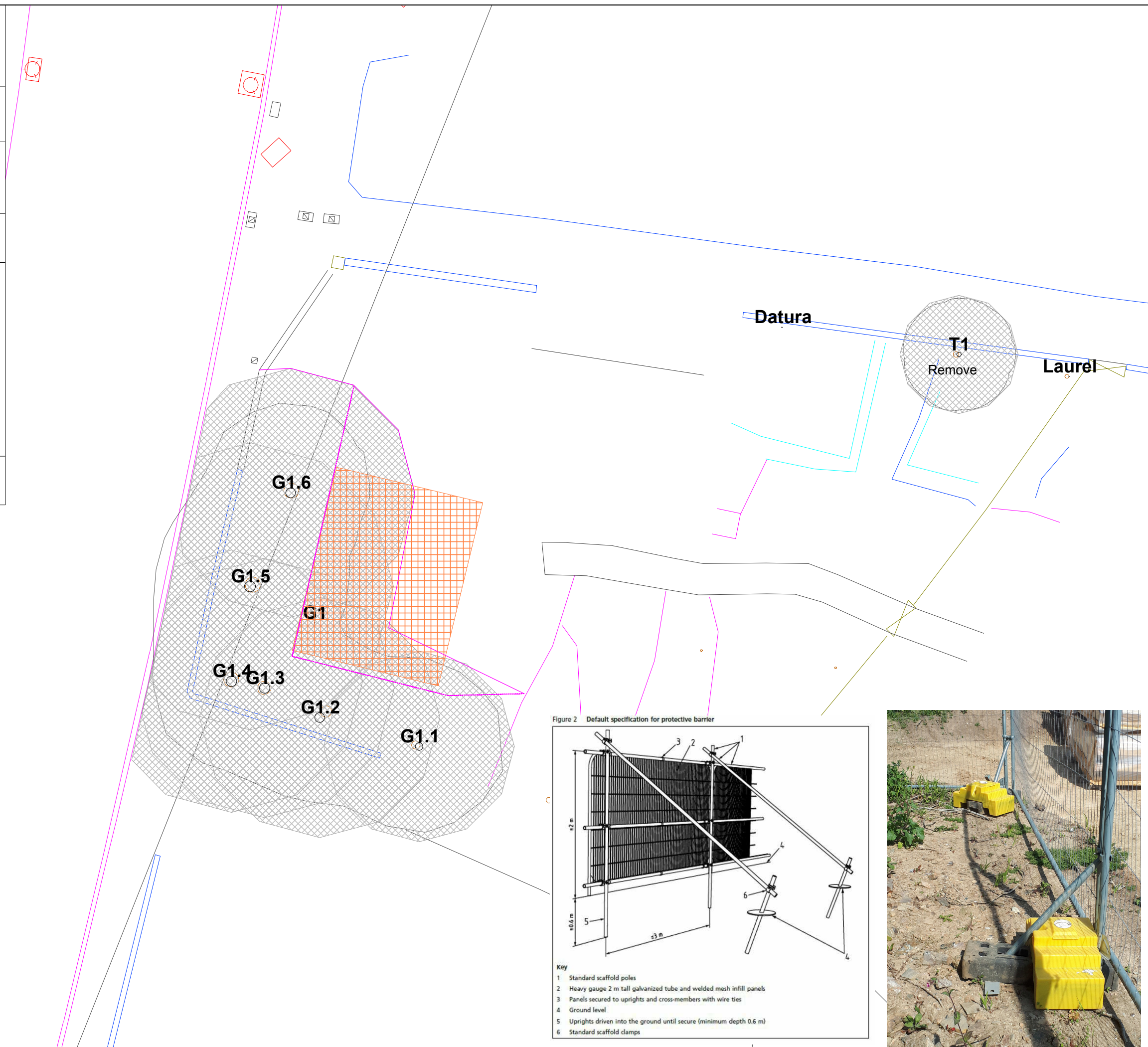
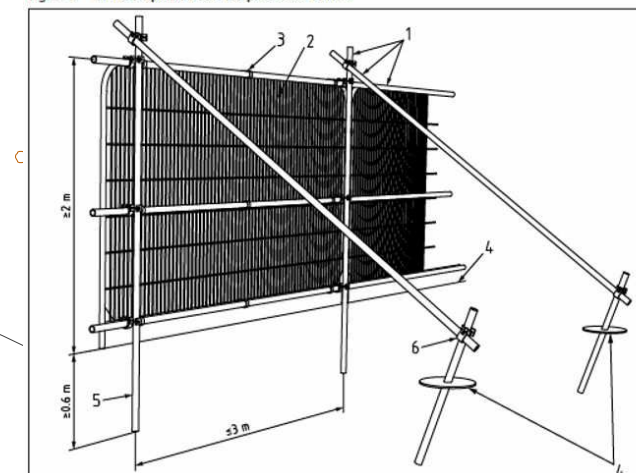


Figure 2 Default specification for protective barrier



- Key
- 1 Standard scaffold poles
 - 2 Heavy gauge 2 m tall galvanized tube and welded mesh infill panels
 - 3 Panels secured to uprights and cross-members with wire ties
 - 4 Ground level
 - 5 Uprights driven into the ground until secure (minimum depth 0.6 m)
 - 6 Standard scaffold clamps

