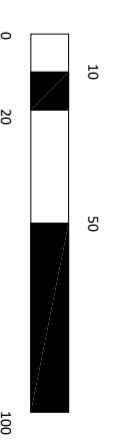
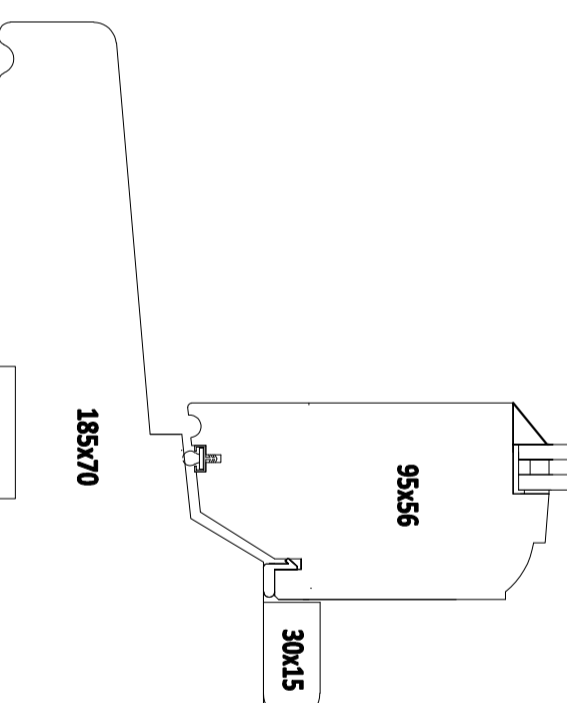
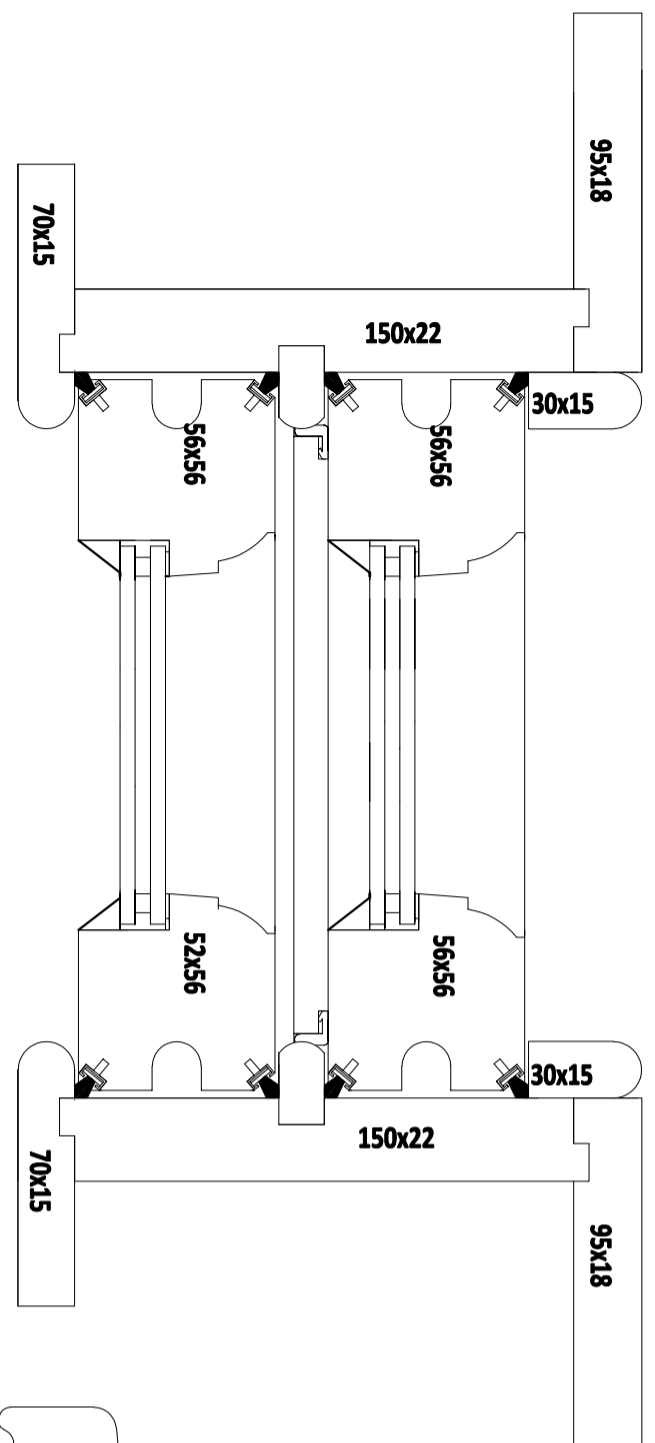
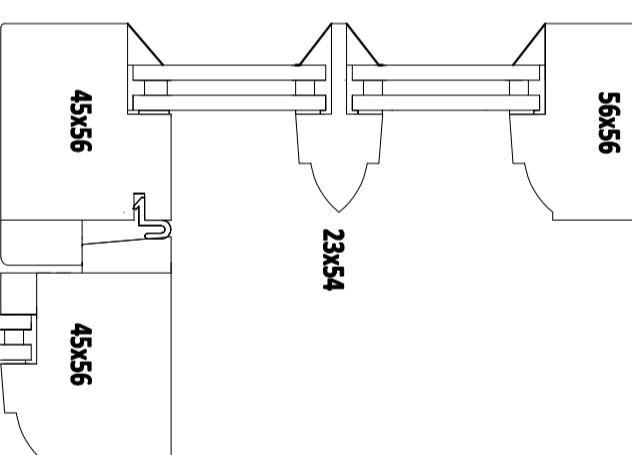
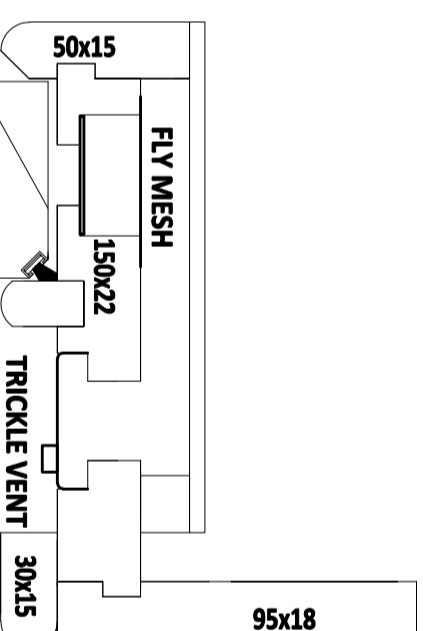


PROPOSED SASH & CASE WINDOW REPLACEMENT

WINDOWS TO BE CONSTRUCTED USING HARDWOOD OVERALL CASE DEPTH - 175mm - TO MATCH EXISTING

57mm SASHES WITH THROUGH ASTRAGALS OF 23 mm TO HOUSE 14mm KRYPTON FILLED DOUBLE GLAZED UNITS CONSISTING 4mm OUTER PANE - 6mm GAS FILLED CAVITY - 4mm FLOAT INNER PANE. CENTRE PANE U VALUE 1.4 W/m²K

DGU'S SECURED USING DRYSEAL PUTTY



SCALE 1:2 @ A3

ALEXANDER STURROCK

PROJECT: PROPOSED WINDOW REPLACEMENT AT WOODVILLE, MOUNT ERICHT RD, BLAIRGOWRIE

CLIENT: MRS NANCY POOLE

TITLE: PROPOSED SASH & CASE WINDOW SECTIONAL DETAIL

DRAWING NUMBER: DWG002

REVISION: A

AS