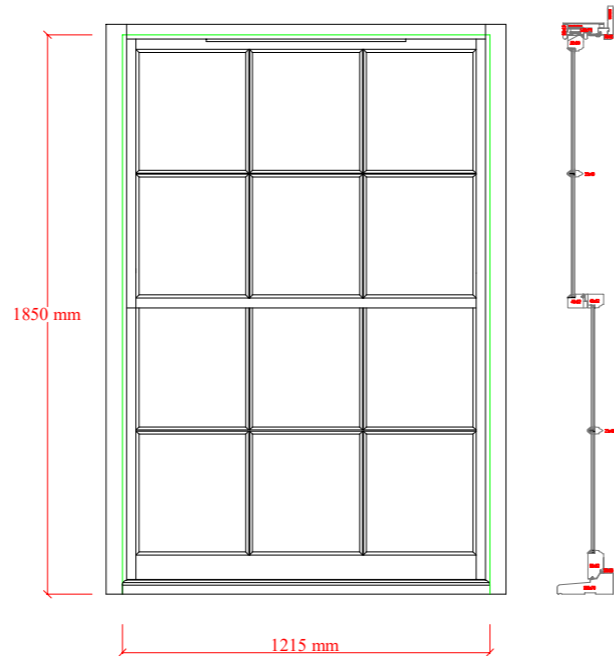
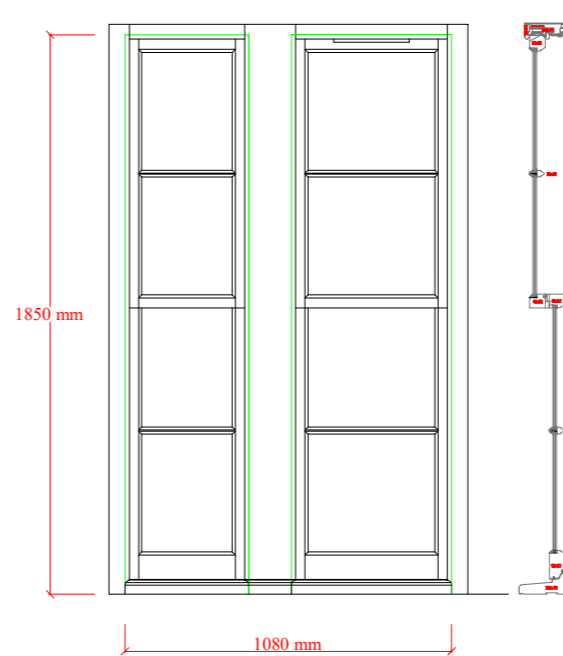


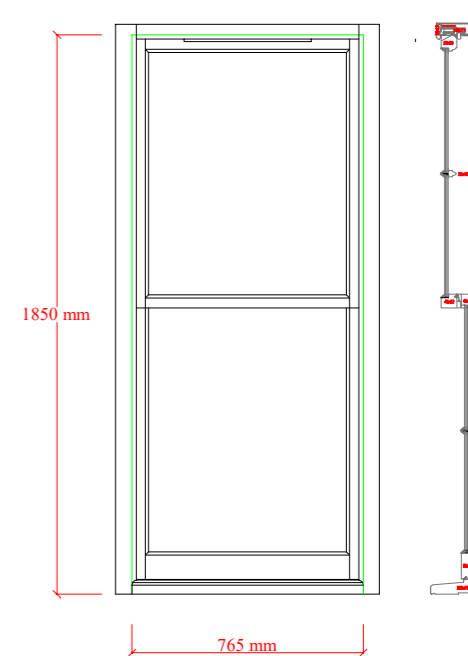
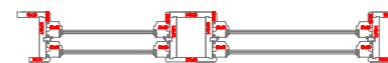
W01 & W02



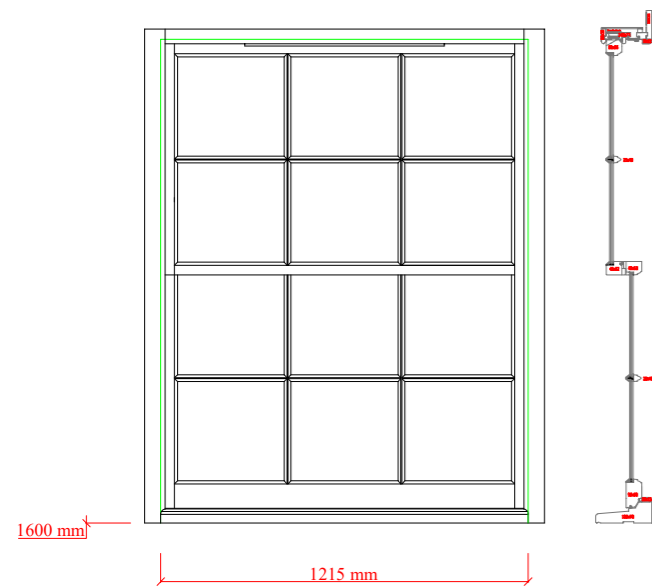
W07, W08 & W09



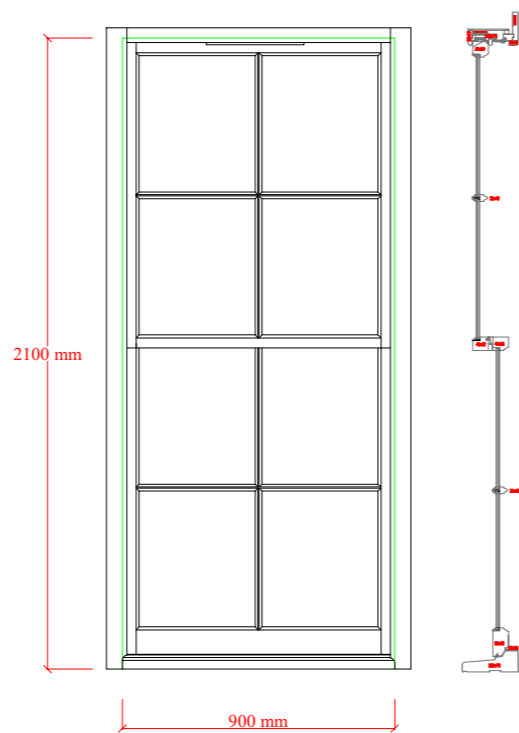
W10



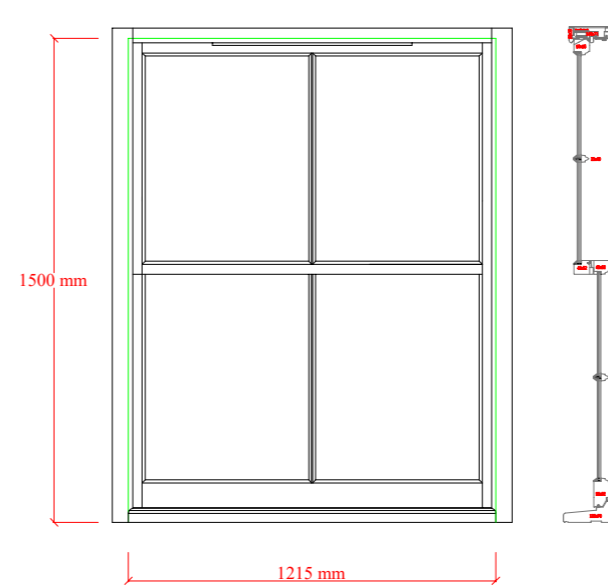
W11



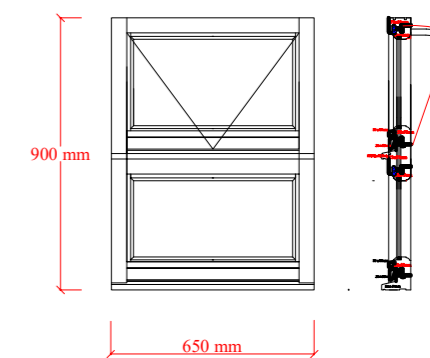
W05



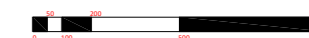
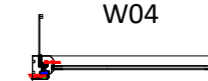
W06



W12



W04



SCALE 1:25 @ A3

ALEXANDER STURROCK

PROJECT:	PROPOSED WINDOW REPLACEMENT AT WOODVILLE, MOUNT ERICHT RD, BLAIRGOWRIE	
CLIENT:	MRS NANCY POOLE	
TITLE	PROPOSED WINDOW SCHEDULE	
JOB 0000	DRAWING NUMBER: DWG001	
REVISION: C	DATE: 11-12-23	AS