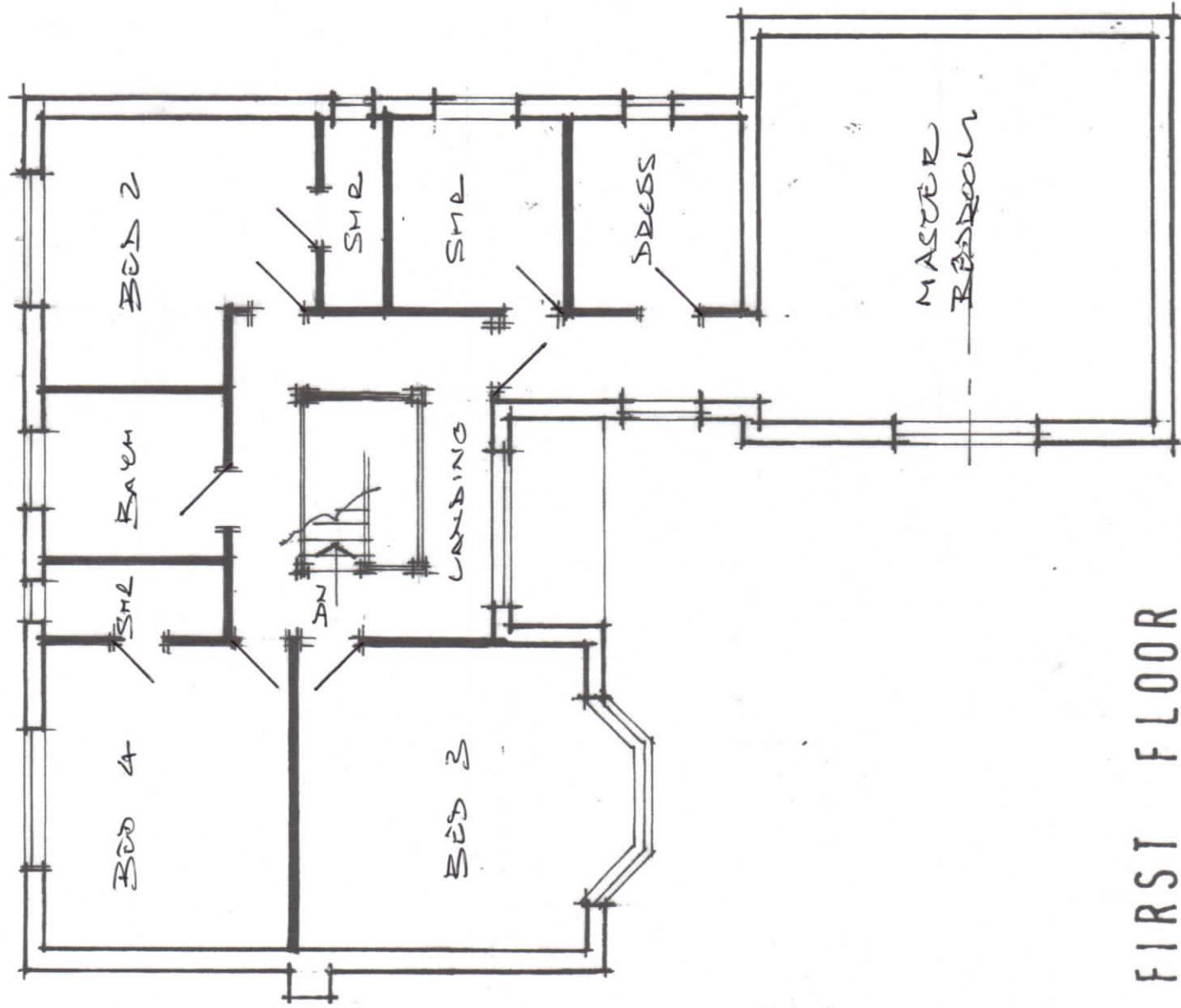


GROUND FLOOR

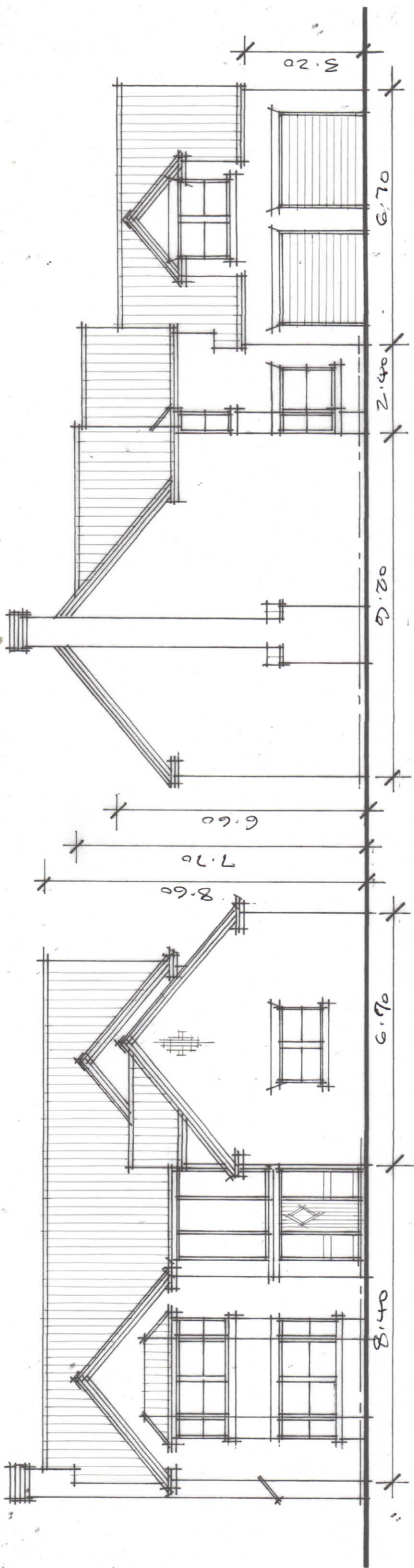


FIRST FLOOR



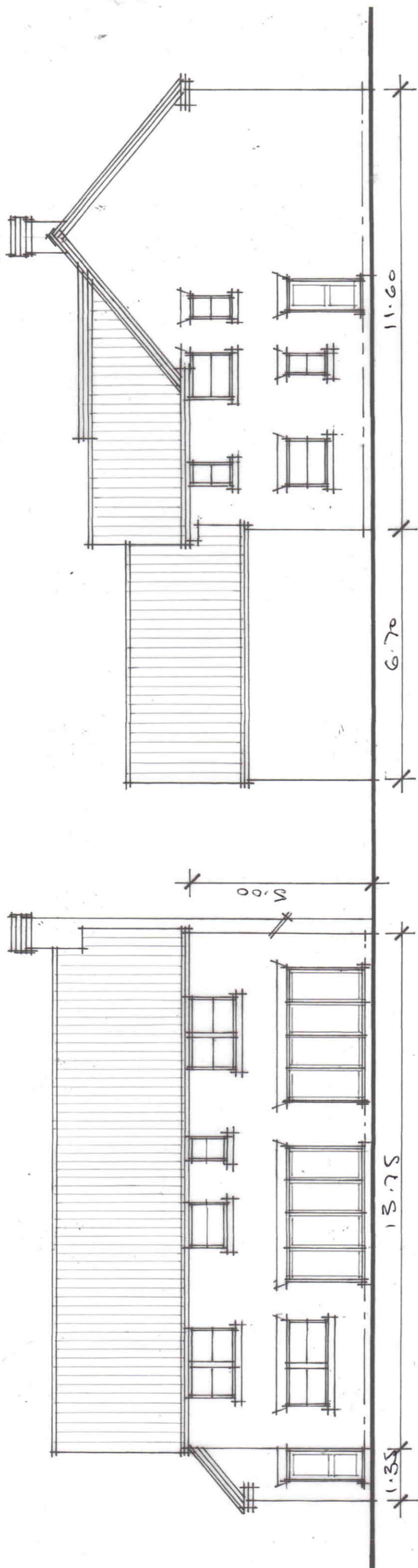
ALAN K GOODWIN
 Architectural and Development
 Consultant
 20 Eastherpe Street
 Raddington,
 Nottingham,
 NG11 6LA
 Mobile 07957 943396
 E Mail: kpg200@gmail.com

PROPOSED HOUSING DEVELOPMENT AT
 'MAYTHORN', BUNNY LANE, KEYWORTH
 Dwg No. 6 ~ PLOT 3 ~ FLOOR PLANS
 SCALE 1:100 OCTOBER 2023



FRONT ELEVATION


LOUNGE SIDE ELEVATION



REAR ELEVATION

KITCHEN SIDE ELEVATION

PROPOSED HOUSING DEVELOPMENT AT
 'MAYTHORN', BUNNY LANE, KEYWORTH
 Dwg No. 7 - PLOT 3 - ELEVATIONS
 SCALE 1:100 OCTOBER 2023


 ALAN K GOODWIN
 Architectural and Development
 Consultant
 20 Easthorpe Street
 Ruddington,
 Nottingham,
 NG11 6LA
 Mobile: 07957 943396
 E Mail: bigol20@gmail.com