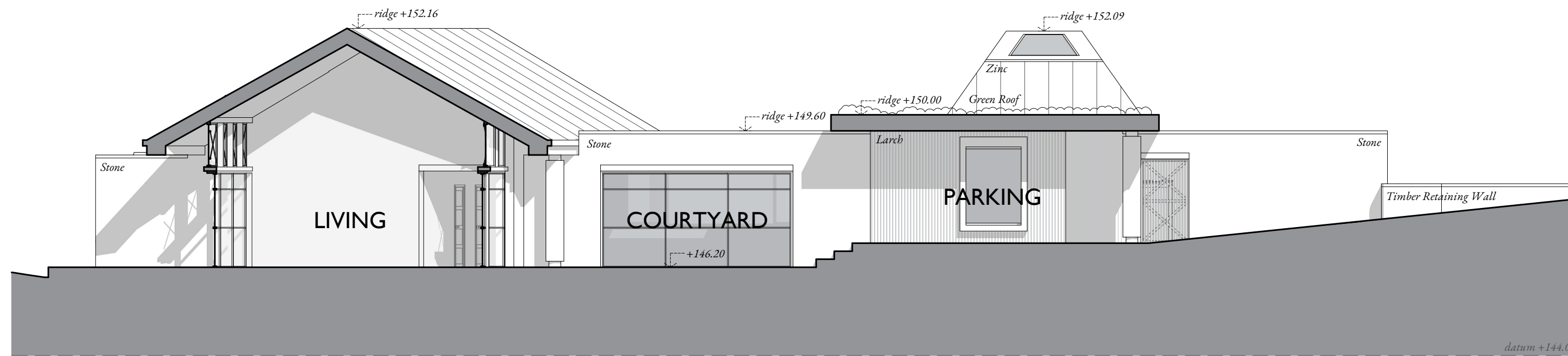




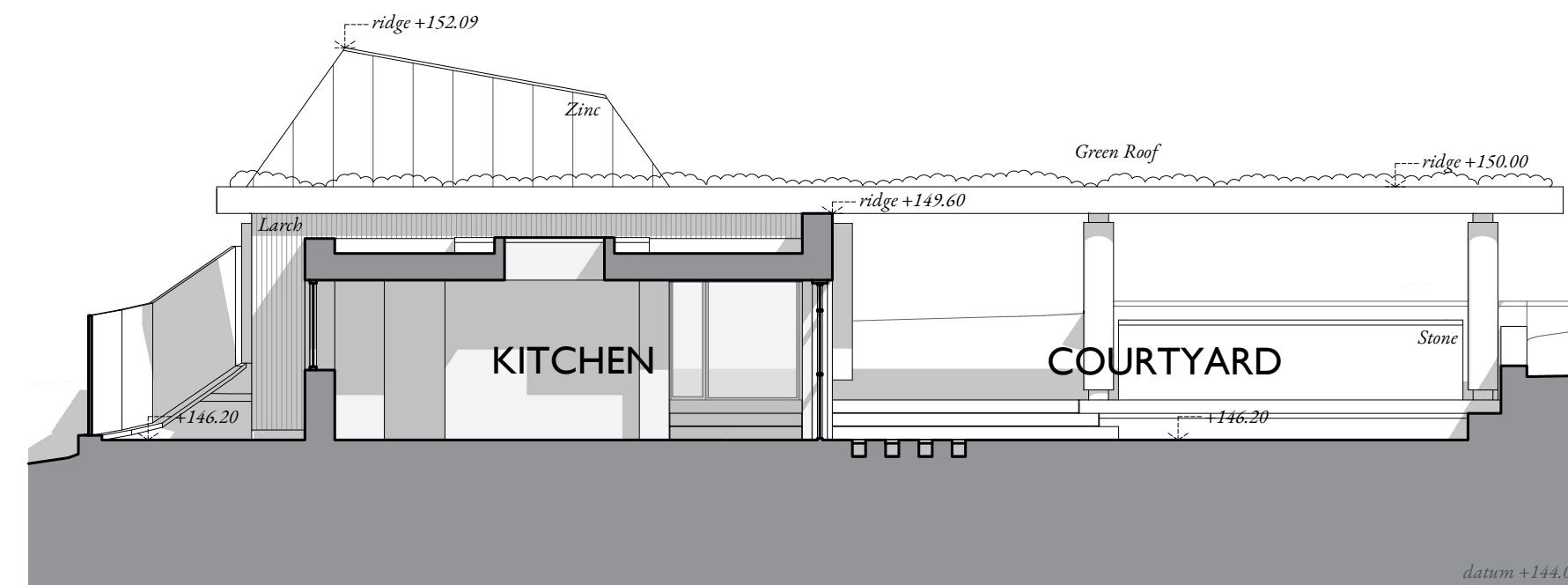
MATERIALS SCHEDULE

PROPOSED EXTENSIONS

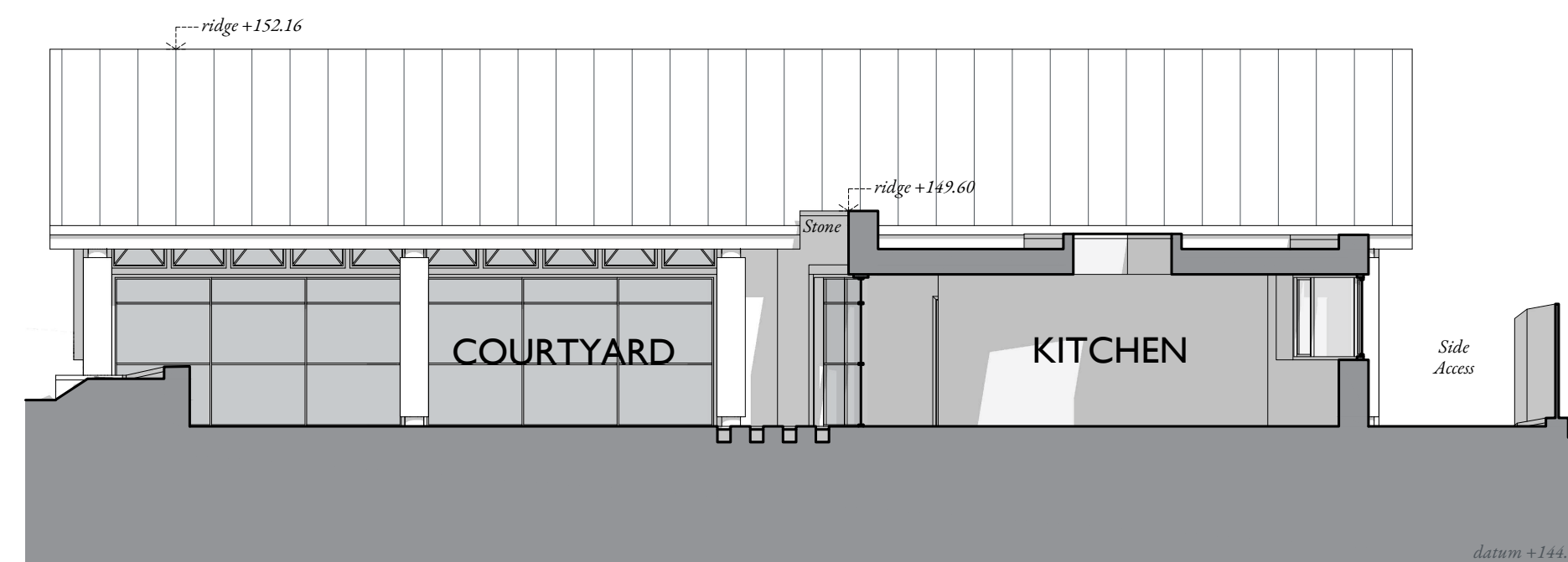
- Walls - Coursed local natural stone laid in a lime mortar with rubbed / bagged joints
- Roof - Vertical larch cladding
- Roof - Pitched Zinc roof [Rheinznk or similar approved]
- Rainwater - Zinc Gutters & RWP to match zinc roof
- Windows - Powder coated aluminium frames
- Doors - Powder coated aluminium frames
- Sliding - Powder coated aluminium frames [RENKA system or similar approved]
- Lintols - Stone[colour selected to match walling stone]
- Cills - Colour to match windows & doors
- Columns - Timber columns finished with bark texture



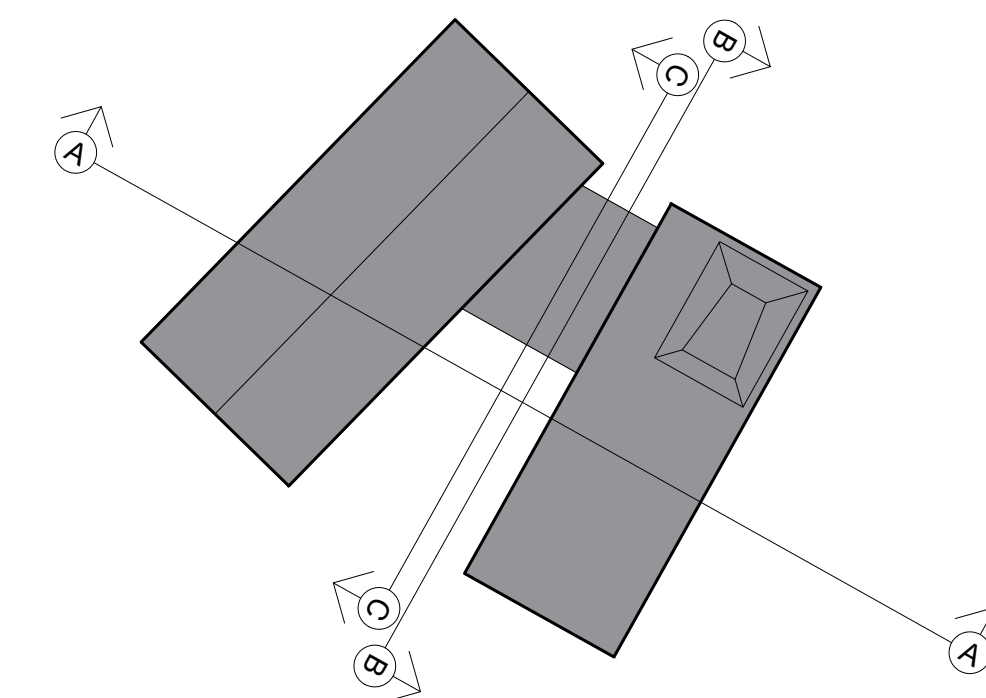
PROPOSED SECTION A-A @ 1:100



PROPOSED SECTION B-B @ 1:100



PROPOSED SECTION C-C @ 1:100



PROPOSED SECTIONS

THE POTTERY, UPPER ODDINGTON

- SURVEY INFORMATION
- CONCEPT DESIGN
- DEVELOPED DESIGN
- TENDER DRAWING
- CONTRACT DRAWING
- CONSTRUCTION ISSUE

Dimensions given on this drawing are to be verified on site, and any discrepancy reported to the architect. This drawing is the property of Courtingtons and copyright is reserved by the architect. This drawing is issued on the understanding that it shall not be copied, reproduced, retained or disclosed in any unauthorised person, wholly or in part without the written consent of the architect.
DO NOT SCALE FROM THIS DRAWING!

drawing issued from:
● COURTINGTONS, The Stables, Hardwick Business Park, Noral Way, Banbury, Oxfordshire. OX16 2AF.
t: +44(0)1295 254545 e: jon@mjct.co.uk

revisions:

project:
THE POTTERY,
UPPER ODDINGTON

drawing title:
PROPOSED SECTIONS
[Section].

scale:
1:100@A1
drawn:
jh
drawing number:
PL952-A-05

date:
27/11/2023
checked:
jet