



INPOST UK

RE-SHAPING LAST MILE
E-COMMERCE DELIVERIES



Confidentiality

This document constitutes strictly confidential information intended solely for the use of the person or entity to whom it is addressed. If you are not the intended recipient, any disclosure, copying, distribution, dissemination or other use of or action in reliance on the contents of this information is strictly prohibited. It is also forbidden to share any part of this document with any third party, without a written consent of InPost UK Limited. All content, such as text, graphics, images, data compilations etc. contained in this document are the property or trademarks of InPost UK Limited.

All information, content, materials regarding products and/or services provided by InPost UK Limited in this document is provided on an “as is” and “as available” basis. We make no representations or warranties of any kind, express or implied, regarding the information contained herein, in particular in the context of the merchantability or fitness for any particular purpose of its products and services. To the fullest extent permitted by law, we shall not be liable for any damages of any kind arising from or connection with any information, content, materials contained in or otherwise made available to you through these documents.

24/7 InPost Parcel Lockers

Our lockers are safe and secure

InPost Parcel Lockers can be extended, vertically modified and even created in an 'L shape'

- Roof with 2 cameras
- Fully outdoor, tested in climate chamber
- Shock and floor sensor
- Polymer concrete base
- Multiple locker sizes and configurations
- Internal and external lockers available



*Minimum space required is 2M

InPost® FM™

Modular version combined for outdoor

- Roof with 2 cameras
(version with or without roof and cameras)
- LED lighting over each module
- 12.1 inch vertical touch screen
- Polymer concrete base



InPost® Central 2m FM™

Module "Central Quattro"

Dimensions/Weight

Width	2011 mm
Height	2221-2424 mm
Depth	919 mm
Weight	~900 - 1000 kg

Locker Sizes

Small boxes:	88 x 410 x 664 mm
Medium boxes:	170 x 410 x 664 mm
Large boxes:	385 x 410 x 664 mm

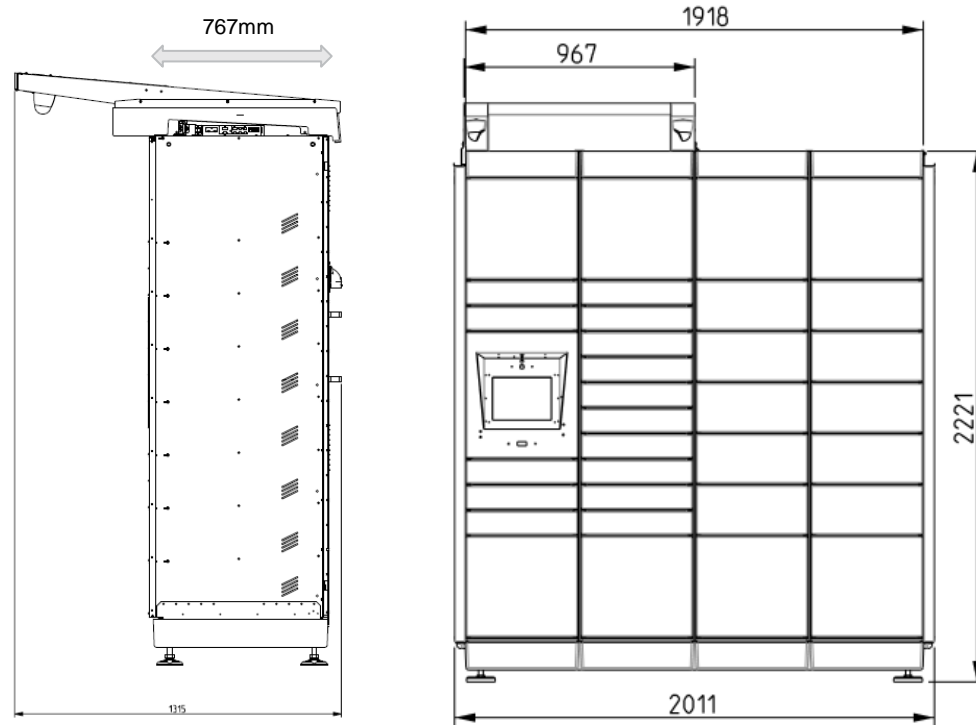
Power Requirements

- Feed: 230 V AC 50 Hz



InPost® FM Central 2m™

Dimensions



InPost® FM with 0.5m Extension

Module "Central Quattro" with 0.5m Unit

Dimensions/Weight

Width	2493 mm
Height	2221-2424 mm
Depth	919 mm
Weight	~1000- 1100 kg

Locker Sizes

Extra small boxes:	55 x 250 x 426 mm
Small boxes:	88 x 410 x 664 mm
Medium boxes:	170 x 410 x 664 mm
Large boxes:	385 x 410 x 664 mm

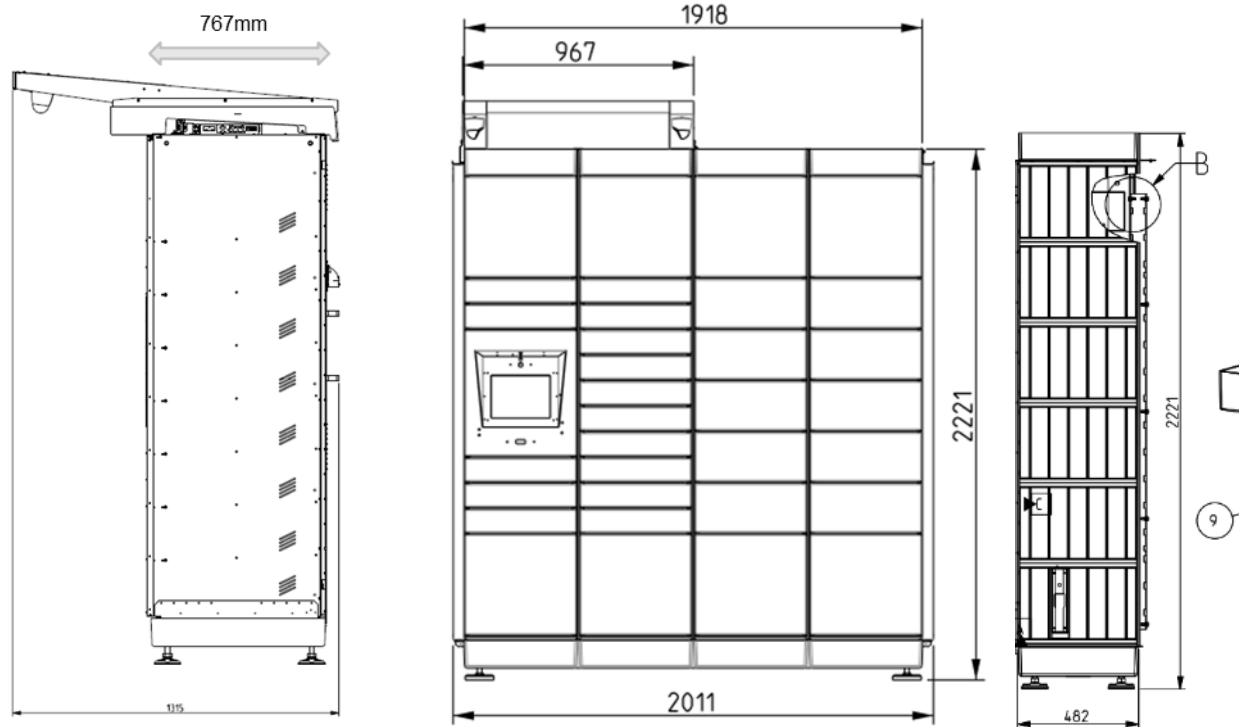
Power Requirements

- Feed: 230 V AC 50 Hz



InPost® locker with 0.5m Extension

Dimensions



InPost® FM with 1m extension

Module "Central Quattro" with 1m Unit

Dimensions/Weight

Width	2944 mm
Height	2221-2424 mm
Depth	919 mm
Weight	~1400 – 1500 kg

Locker Sizes

Small boxes:	88 x 410 x 664 mm
Medium boxes:	170 x 410 x 664 mm
Large boxes:	385 x 410 x 664 mm

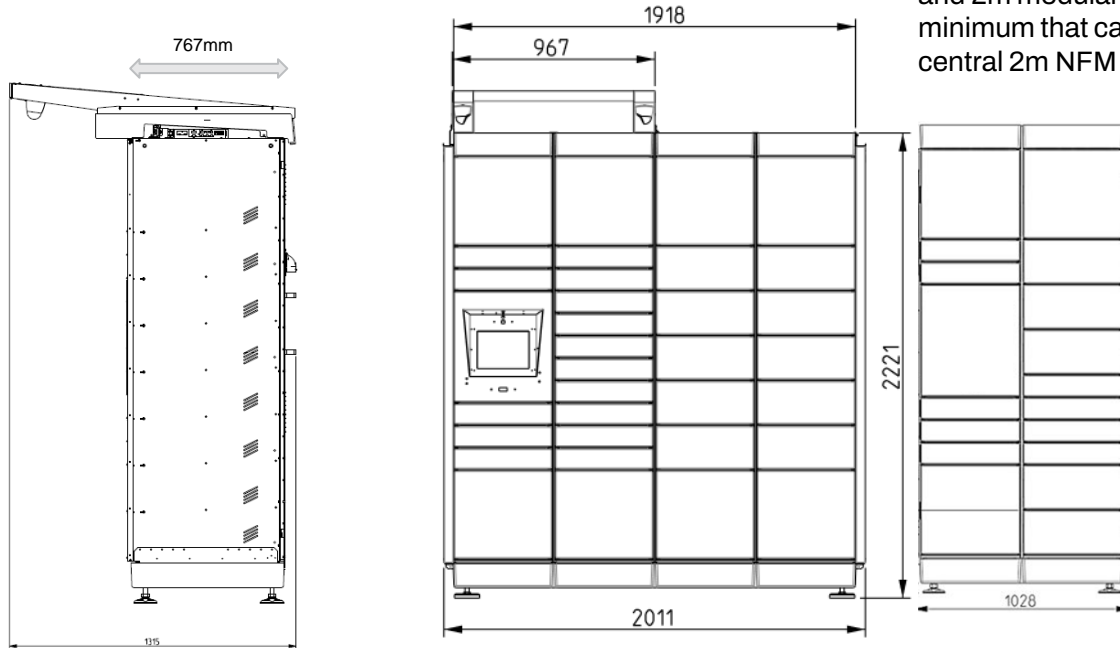
Power Requirements

- Feed: 230 V AC 50 Hz



InPost[®] FM with 1m extension

Dimensions



Note: InPost Lockers increase in 0.5m 1m and 2m modular sections up to 12 m with the minimum that can be installed being the central 2m NFM unit.

InPost® FM with 2m Extension

Module "Central Quattro" with 2m Unit

Dimensions/Weight

Width	3939 mm
Height	2221-2424 mm
Depth	919 mm
Weight	~1700-1800 kg

Locker Sizes

Small boxes:	88 x 410 x 664 mm
Medium boxes:	170 x 410 x 664 mm
Large boxes:	385 x 410 x 664 mm

Power Requirements

- Feed: 230 V AC 50 Hz



InPost[®] FM with 2m Extension

Dimensions

Note: InPost Lockers increase in 0.5m, 1m and 2m modular sections up to 12m with the minimum that can be installed being the central 2m NFM unit.

