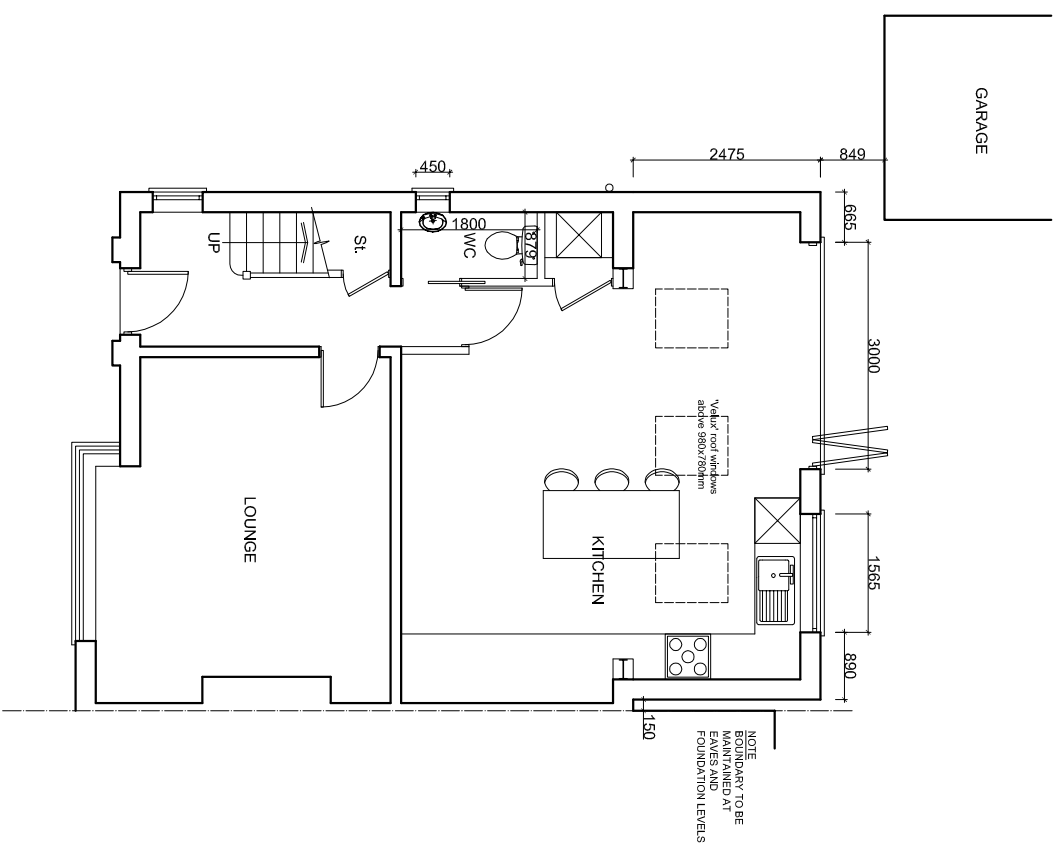
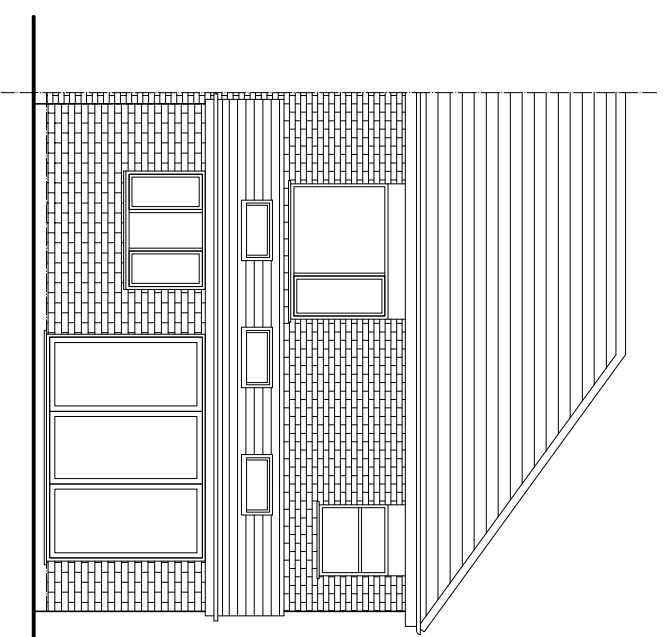


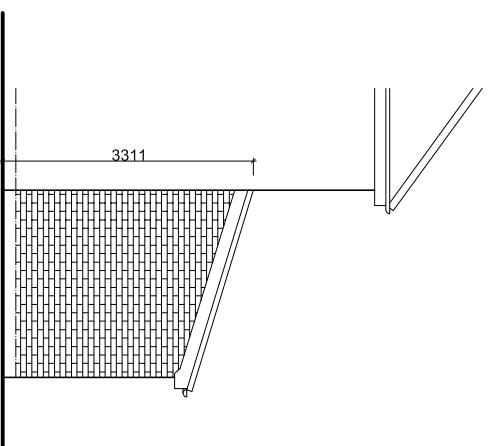
Scale Bar 1:100



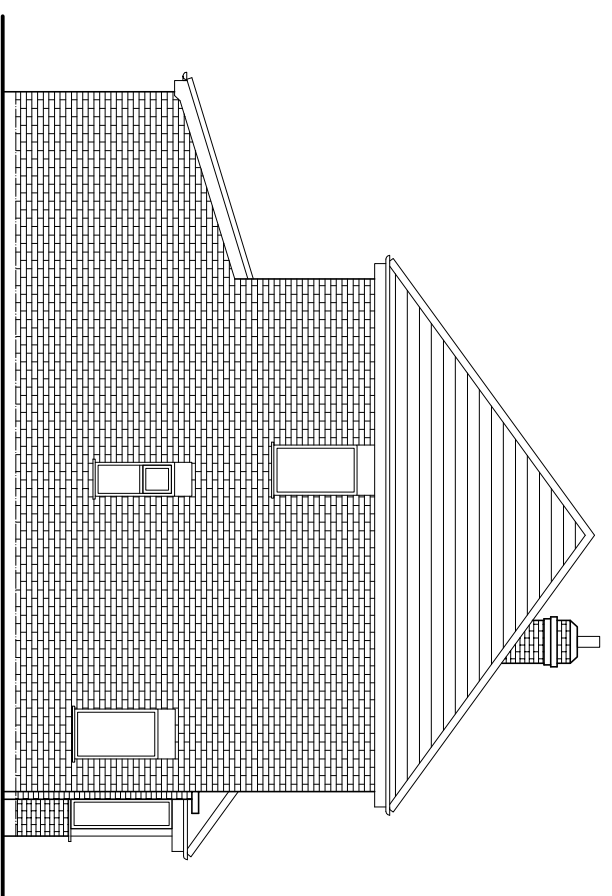
PROPOSED GROUND FLOOR PLAN



PROPOSED NORTH ELEVATION



PROPOSED EAST ELEVATION



PROPOSED WEST ELEVATION

simon mason designs ltd.
architectural services

e simon@simasondesigns.com
www.masondesigns.fsnet.co.uk
t 01925 212728
m 07870 606532

Copyright Protected ©

APPLICANT
MRS B SMITH
14 CONNAUGHT DRIVE
NEWTON-LE-WILLOWS
WARRINGTON
WA12 8NE

PROPOSED
SINGLE STOREY EXTENSION
TO REAR OF DWELLING

DATE	SCALE
December 2023	1:100 @ A3

DRAWING NO.
75/23/2