

Installation Address: N/A
Email: N/A • Phone: N/A



1. Right bay right

Quantity: 1
Supply & Fit - Sash box removal Sliding Sash Window



2. Right bay centre

Quantity: 1
Supply & Fit - Sash box removal Sliding Sash Window



3. Right bay left

Quantity: 1
Supply & Fit - Sash box removal Sliding Sash Window



4. Left bay right

Quantity: 1
Supply & Fit - Sash box removal Sliding Sash Window



5. Left bay centre

Quantity: 1
Supply & Fit - Sash box removal Sliding Sash Window



6. Left bay left

Quantity: 1
Supply & Fit - Sash box removal Sliding Sash Window



7. Bathroom

Quantity: 1
Supply & Fit - Remove & replace Casement window



8. Office

Quantity: 1
Supply & Fit - Remove & replace Casement window



9. Back right room

Quantity: 1
Supply & Fit - Remove & replace Casement window



10. Utility room

Quantity: 1
Supply & Fit - Remove & replace Casement window

Quote details:

Lead time: Estimated between 4-8 weeks (once deposit has been paid in full)
Guarantee: All window and door profiles come with 10 year guarantee (See full terms and conditions)
Prepared by: Darren Wilson (01560 327347)



Installation Address: N/A
Email: N/A • Phone: N/A



11. Dormer

Quantity: 1

Supply & Fit - Remove & replace

Casement window



12. Bifold

Quantity: 1

Supply & Fit - Remove & replace

Aluminium bifold



13. Back door

Quantity: 1

Supply & Fit - Remove & replace

Palladio Composite Door



14. Front door (internal)

Quantity: 1

Supply & Fit - Remove & replace

Palladio Composite Door

Quote details:

Lead time:

Estimated between 4-8 weeks (once deposit has been paid in full)

Guarantee:

All window and door profiles come with 10 year guarantee (See full terms and conditions)

Prepared by:

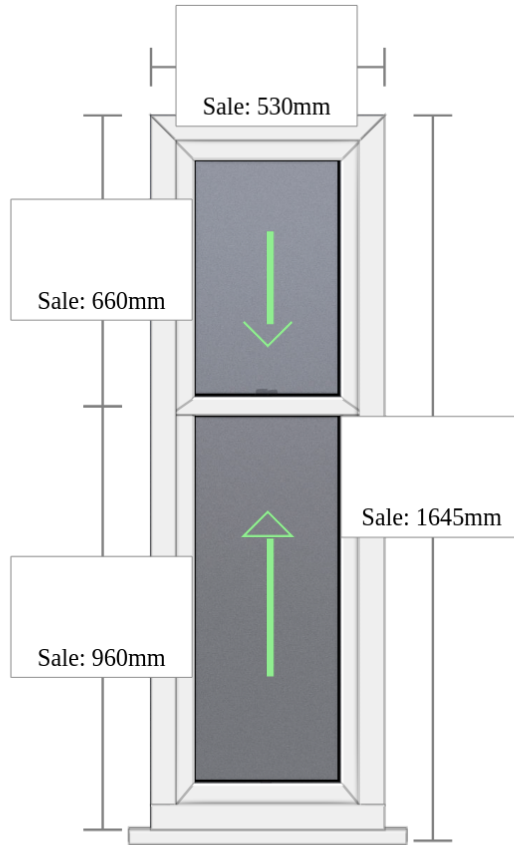
Darren Wilson (01560 327347)



Item: 1 of 14	Location: Right bay right	Job Type: Supply & Fit - Sash box removal
----------------------	----------------------------------	--

Surveyor Notes:

☀ **View from outside**



Sliding Sash Window

- | | | | |
|---|----------------------|--|-----------------------------|
| <input type="checkbox"/> Frame | Standard Jamb | <input type="checkbox"/> Cill Right Horn Length | 50mm |
| <input type="checkbox"/> Sash Bottom Rail | Standard Bottom Rail | <input type="checkbox"/> Addons TLRB | None |
| <input type="checkbox"/> Sash Meeting Rail | Slim Meeting Stile | <input type="checkbox"/> Frame Joint Type | Welded |
| <input type="checkbox"/> Sash Sides | Standard Stile | <input type="checkbox"/> Sash Joint Type | Welded |
| <input type="checkbox"/> Sash Top Rail | Standard Stile | <input type="checkbox"/> Colour | Smooth White |
| <input type="checkbox"/> Sash | Standard Stile | <input type="checkbox"/> Vertical Slider Catch | Fitch Locking Bronze |
| <input type="checkbox"/> Bead | Bevel | <input type="checkbox"/> Travel Restrictor | Keyed Antique Brass |
| <input type="checkbox"/> Cill | 225 mm | <input type="checkbox"/> Sash Ring | Eye Antique Black |
| <input type="checkbox"/> Cill Length | 630mm | <input type="checkbox"/> Sash Lift | Hook Lift Black |
| <input type="checkbox"/> Cill Left Horn Length | 50mm | <input type="checkbox"/> Sash Horns | Top and Bottom - Classic x1 |

Glass (Using retailer's own glass)

<i>Pane</i>	<i>Description</i>
<input type="checkbox"/> Upper Pane	Glass: (TUFF) low-e argon filled - Black Spacer - Clear
<input type="checkbox"/> Lower Pane	Glass: (TUFF) low-e argon filled - Black Spacer - Clear

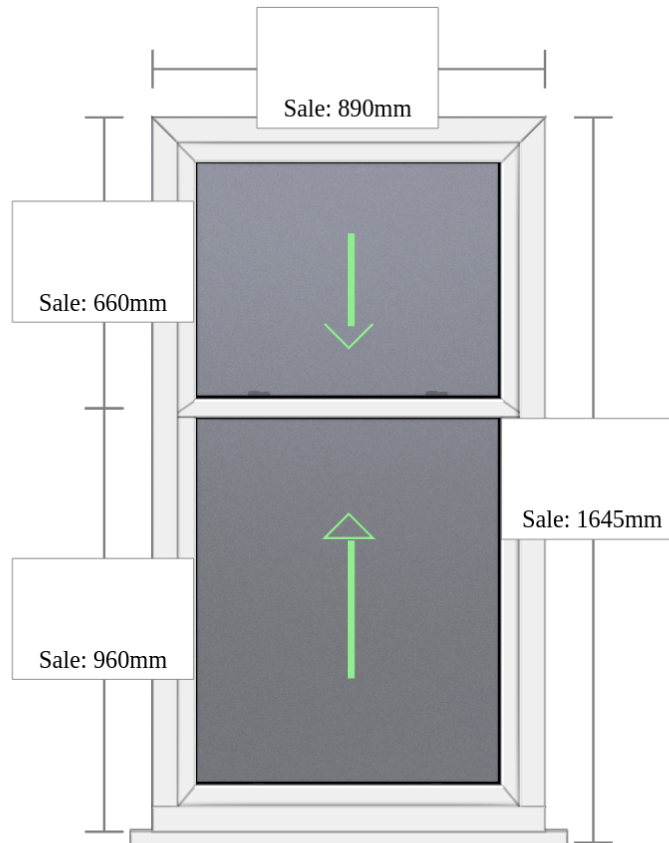


Date:	Customer:	Surveyor:
	Signature:	Signature:

Item: 2 of 14	Location: Right bay centre	Job Type: Supply & Fit - Sash box removal
----------------------	-----------------------------------	--

Surveyor Notes:

☀ **View from outside**



Sliding Sash Window

- | | | | |
|---|----------------------|--|---------------------------------|
| <input type="checkbox"/> Frame | Standard Jamb | <input type="checkbox"/> Cill Right Horn Length | 50mm |
| <input type="checkbox"/> Sash Bottom Rail | Standard Bottom Rail | <input type="checkbox"/> Addons TLRB | None |
| <input type="checkbox"/> Sash Meeting Rail | Slim Meeting Stile | <input type="checkbox"/> Frame Joint Type | Welded |
| <input type="checkbox"/> Sash Sides | Standard Stile | <input type="checkbox"/> Sash Joint Type | Welded |
| <input type="checkbox"/> Sash Top Rail | Standard Stile | <input type="checkbox"/> Colour | Smooth White |
| <input type="checkbox"/> Sash | Standard Stile | <input type="checkbox"/> Vertical Slider Catch | Fitch Locking Bronze |
| <input type="checkbox"/> Bead | Bevel | <input type="checkbox"/> Travel Restrictor | Facefix Angle Lock Satin Chrome |
| <input type="checkbox"/> Cill | 225 mm | <input type="checkbox"/> Sash Ring | Eye Satin |
| <input type="checkbox"/> Cill Length | 990mm | <input type="checkbox"/> Sash Lift | Satin |
| <input type="checkbox"/> Cill Left Horn Length | 50mm | | |

Glass (Using retailer's own glass)

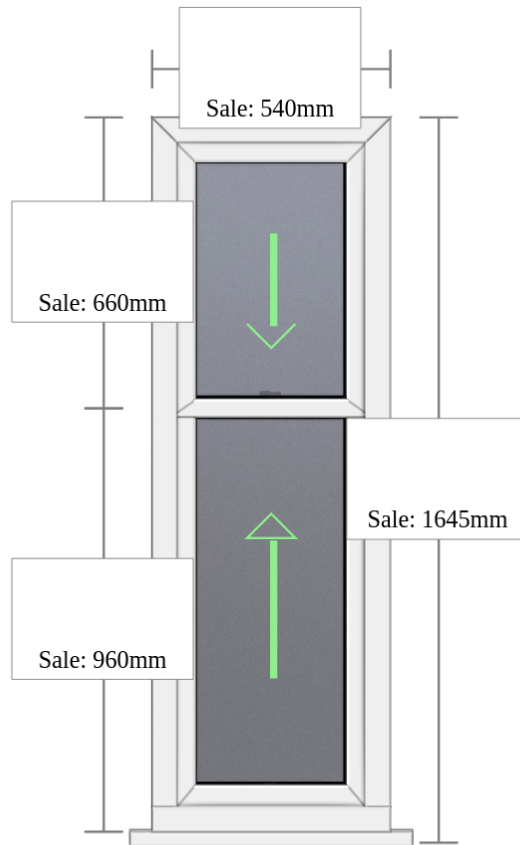
<i>Pane</i>	<i>Description</i>
<input type="checkbox"/> Upper Pane	Glass: (TUFF) low-e argon filled - Black Spacer - Clear
<input type="checkbox"/> Lower Pane	Glass: (TUFF) low-e argon filled - Black Spacer - Clear

Date:	Customer:	
	Signature:	
		Surveyor:
		Signature:

Item: 3 of 14	Location: Right bay left	Job Type: Supply & Fit - Sash box removal
----------------------	---------------------------------	--

Surveyor Notes:

☀ **View from outside**



Sliding Sash Window

- | | | | |
|---|----------------------|--|---------------------------------|
| <input type="checkbox"/> Frame | Standard Jamb | <input type="checkbox"/> Cill Right Horn Length | 50mm |
| <input type="checkbox"/> Sash Bottom Rail | Standard Bottom Rail | <input type="checkbox"/> Addons TLRB | None |
| <input type="checkbox"/> Sash Meeting Rail | Slim Meeting Stile | <input type="checkbox"/> Frame Joint Type | Welded |
| <input type="checkbox"/> Sash Sides | Standard Stile | <input type="checkbox"/> Sash Joint Type | Welded |
| <input type="checkbox"/> Sash Top Rail | Standard Stile | <input type="checkbox"/> Colour | Smooth White |
| <input type="checkbox"/> Sash | Standard Stile | <input type="checkbox"/> Vertical Slider Catch | Fitch Locking Bronze |
| <input type="checkbox"/> Bead | Bevel | <input type="checkbox"/> Travel Restrictor | Facefix Angle Lock Satin Chrome |
| <input type="checkbox"/> Cill | 225 mm | <input type="checkbox"/> Sash Ring | Eye Satin |
| <input type="checkbox"/> Cill Length | 640mm | <input type="checkbox"/> Sash Lift | Satin |
| <input type="checkbox"/> Cill Left Horn Length | 50mm | | |

Glass (Using retailer's own glass)

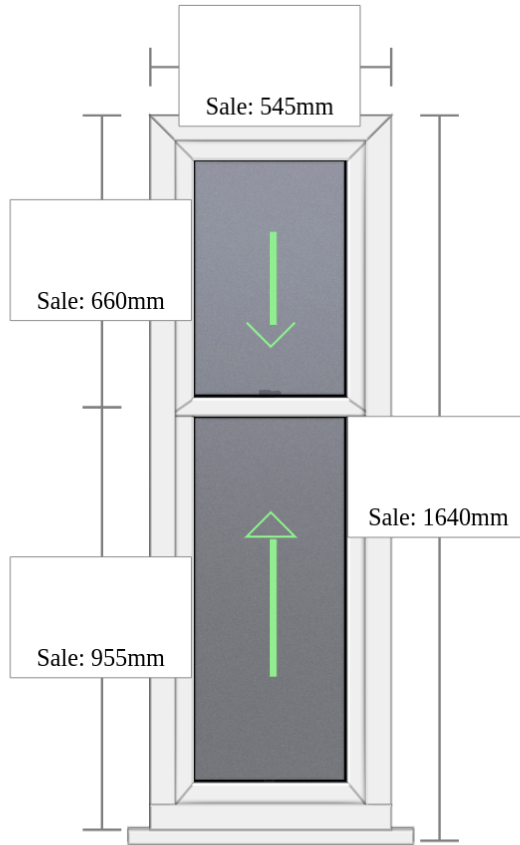
<i>Pane</i>	<i>Description</i>
<input type="checkbox"/> Upper Pane	Glass: (TUFF) low-e argon filled - Black Spacer - Clear
<input type="checkbox"/> Lower Pane	Glass: (TUFF) low-e argon filled - Black Spacer - Clear

Date:	Customer:	
	Signature:	
		Surveyor:
		Signature:

Item: 4 of 14	Location: Left bay right	Job Type: Supply & Fit - Sash box removal
----------------------	---------------------------------	--

Surveyor Notes:

☀ **View from outside**



Sliding Sash Window

- | | | | |
|---|----------------------|--|---------------------------------|
| <input type="checkbox"/> Frame | Standard Jamb | <input type="checkbox"/> Cill Right Horn Length | 50mm |
| <input type="checkbox"/> Sash Bottom Rail | Standard Bottom Rail | <input type="checkbox"/> Addons TLRB | None |
| <input type="checkbox"/> Sash Meeting Rail | Slim Meeting Stile | <input type="checkbox"/> Frame Joint Type | Welded |
| <input type="checkbox"/> Sash Sides | Standard Stile | <input type="checkbox"/> Sash Joint Type | Welded |
| <input type="checkbox"/> Sash Top Rail | Standard Stile | <input type="checkbox"/> Colour | Smooth White |
| <input type="checkbox"/> Sash | Standard Stile | <input type="checkbox"/> Vertical Slider Catch | Fitch Locking Bronze |
| <input type="checkbox"/> Bead | Bevel | <input type="checkbox"/> Travel Restrictor | Facefix Angle Lock Satin Chrome |
| <input type="checkbox"/> Cill | 225 mm | <input type="checkbox"/> Sash Ring | Eye Satin |
| <input type="checkbox"/> Cill Length | 645mm | <input type="checkbox"/> Sash Lift | Satin |
| <input type="checkbox"/> Cill Left Horn Length | 50mm | | |

Glass (Using retailer's own glass)

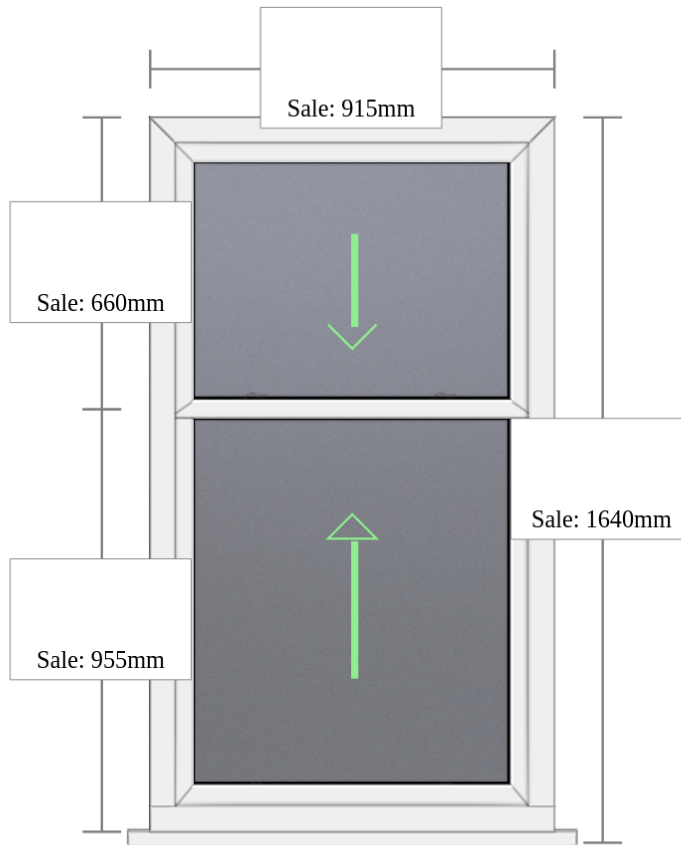
<i>Pane</i>	<i>Description</i>
<input type="checkbox"/> Upper Pane	Glass: (TUFF) low-e argon filled - Black Spacer - Clear
<input type="checkbox"/> Lower Pane	Glass: (TUFF) low-e argon filled - Black Spacer - Clear

Date:	Customer:	
	Signature:	
		Surveyor:
		Signature:

Item: 5 of 14	Location: Left bay centre	Job Type: Supply & Fit - Sash box removal
----------------------	----------------------------------	--

Surveyor Notes:

☀ **View from outside**



Sliding Sash Window

<input type="checkbox"/> Frame	Standard Jamb	<input type="checkbox"/> Cill Right Horn Length	50mm
<input type="checkbox"/> Sash Bottom Rail	Standard Bottom Rail	<input type="checkbox"/> Addons TLRB	None
<input type="checkbox"/> Sash Meeting Rail	Slim Meeting Stile	<input type="checkbox"/> Frame Joint Type	Welded
<input type="checkbox"/> Sash Sides	Standard Stile	<input type="checkbox"/> Sash Joint Type	Welded
<input type="checkbox"/> Sash Top Rail	Standard Stile	<input type="checkbox"/> Colour	Smooth White
<input type="checkbox"/> Sash	Standard Stile	<input type="checkbox"/> Vertical Slider Catch	Fitch Locking Satin
<input type="checkbox"/> Bead	Bevel	<input type="checkbox"/> Travel Restrictor	Facefix Angle Lock Satin Chrome
<input type="checkbox"/> Cill	225 mm	<input type="checkbox"/> Sash Ring	Eye Satin
<input type="checkbox"/> Cill Length	1015mm	<input type="checkbox"/> Sash Lift	Satin
<input type="checkbox"/> Cill Left Horn Length	50mm		

Glass (Using retailer's own glass)

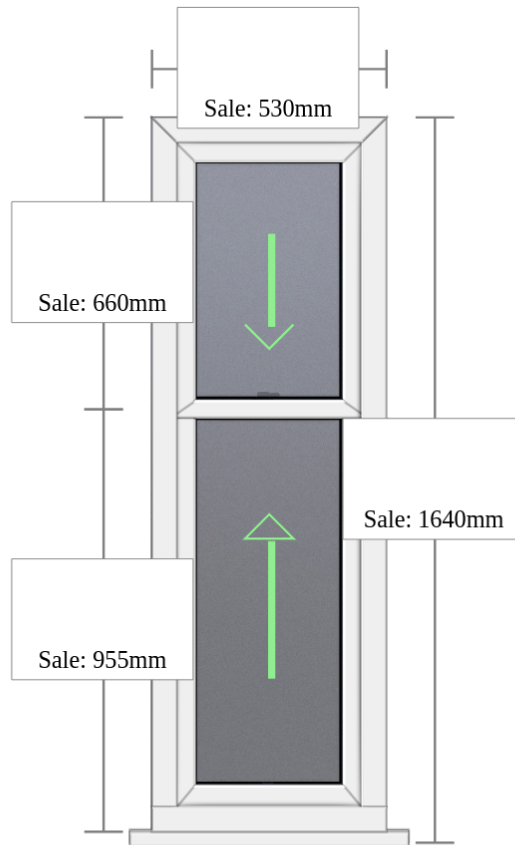
<i>Pane</i>	<i>Description</i>
<input type="checkbox"/> Upper Pane	Glass: (TUFF) low-e argon filled - Black Spacer - Clear
<input type="checkbox"/> Lower Pane	Glass: (TUFF) low-e argon filled - Black Spacer - Clear

Date:	Customer:	
	Signature:	
		Surveyor:
		Signature:

Item: 6 of 14	Location: Left bay left	Job Type: Supply & Fit - Sash box removal
----------------------	--------------------------------	--

Surveyor Notes:

☀ **View from outside**



Sliding Sash Window

- | | | | |
|---|----------------------|--|---------------------------------|
| <input type="checkbox"/> Frame | Standard Jamb | <input type="checkbox"/> Cill Right Horn Length | 50mm |
| <input type="checkbox"/> Sash Bottom Rail | Standard Bottom Rail | <input type="checkbox"/> Addons TLRB | None |
| <input type="checkbox"/> Sash Meeting Rail | Slim Meeting Stile | <input type="checkbox"/> Frame Joint Type | Welded |
| <input type="checkbox"/> Sash Sides | Standard Stile | <input type="checkbox"/> Sash Joint Type | Welded |
| <input type="checkbox"/> Sash Top Rail | Standard Stile | <input type="checkbox"/> Colour | Smooth White |
| <input type="checkbox"/> Sash | Standard Stile | <input type="checkbox"/> Vertical Slider Catch | Fitch Locking Bronze |
| <input type="checkbox"/> Bead | Bevel | <input type="checkbox"/> Travel Restrictor | Facefix Angle Lock Satin Chrome |
| <input type="checkbox"/> Cill | 225 mm | <input type="checkbox"/> Sash Ring | Eye Satin |
| <input type="checkbox"/> Cill Length | 630mm | <input type="checkbox"/> Sash Lift | Satin |
| <input type="checkbox"/> Cill Left Horn Length | 50mm | | |

Glass (Using retailer's own glass)

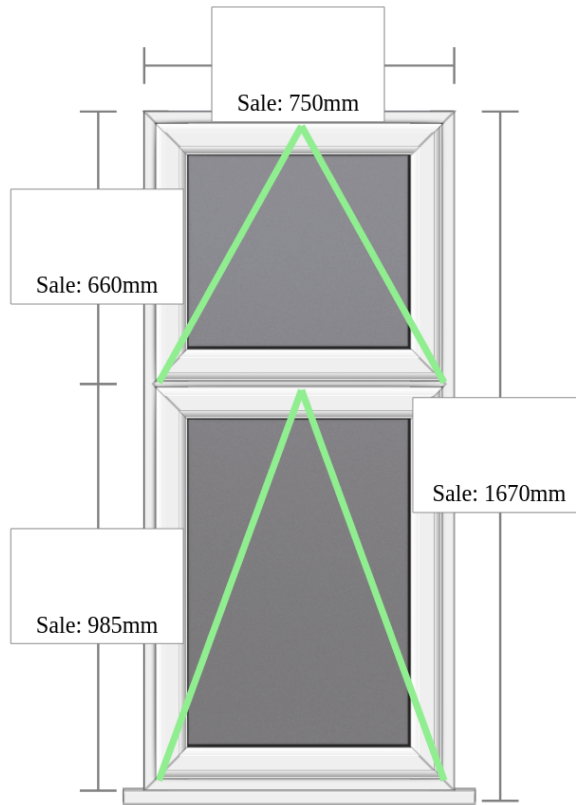
<i>Pane</i>	<i>Description</i>
<input type="checkbox"/> Upper Pane	Glass: (TUFF) low-e argon filled - Black Spacer - Clear
<input type="checkbox"/> Lower Pane	Glass: (TUFF) low-e argon filled - Black Spacer - Clear

Date:	Customer:	
	Signature:	
		Surveyor:
		Signature:

Item: 7 of 14	Location: Bathroom	Job Type: Supply & Fit - Remove & replace
----------------------	---------------------------	--

Surveyor Notes:

☀ View from outside



Casement window

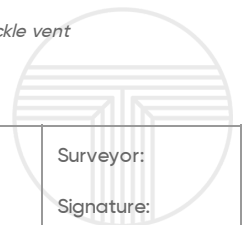
- | | | | |
|---|------------------------|--|---------------|
| <input type="checkbox"/> Frame | 57mm Sculptured | <input type="checkbox"/> Cill Left Horn Length | 50mm |
| <input type="checkbox"/> Sash | 75mm T sash Sculptured | <input type="checkbox"/> Cill Right Horn Length | 50mm |
| <input type="checkbox"/> Transom | 67mm Sculptured | <input type="checkbox"/> Addons TLRB | None |
| <input type="checkbox"/> Sash | 75mm T sash Bevel | <input type="checkbox"/> Frame Joint Type | Welded |
| <input type="checkbox"/> Bead | Sculptured | <input type="checkbox"/> Sash Joint Type | Welded |
| <input type="checkbox"/> Cill | 150mm | <input type="checkbox"/> Colour | Smooth White |
| <input type="checkbox"/> Cill Length | 850mm | <input type="checkbox"/> Window handle | White Handles |

Glass (Using retailer's own glass)

<i>Pane</i>	<i>Description</i>
<input type="checkbox"/> Upper Pane	Glass: FLOAT) low-e argon filled - Black Spacer - Satin
<input type="checkbox"/> Lower Pane	Glass: FLOAT) low-e argon filled - Black Spacer - Satin

Opener Hardware

<i>Pane</i>	<i>Handle</i>	<i>Drive gear</i>	<i>Hinge</i>	<i>Trickle vent</i>
<input type="checkbox"/> Upper Pane	White Handles	No	Standard	No
<input type="checkbox"/> Lower Pane	White Handles	No	Standard	No

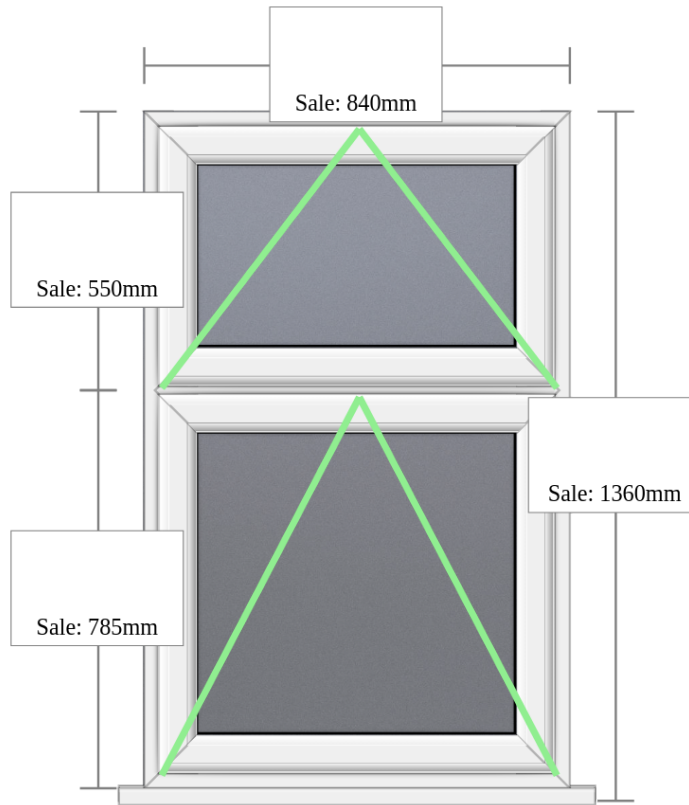


Date:	Customer:	Surveyor:
	Signature:	Signature:

Item: 8 of 14	Location: Office	Job Type: Supply & Fit - Remove & replace
----------------------	-------------------------	--

Surveyor Notes:

☀ **View from outside**



Casement window

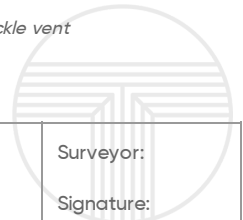
- | | | | |
|---|------------------------|--|---------------|
| <input type="checkbox"/> Frame | 57mm Sculptured | <input type="checkbox"/> Cill Left Horn Length | 50mm |
| <input type="checkbox"/> Sash | 75mm T sash Sculptured | <input type="checkbox"/> Cill Right Horn Length | 50mm |
| <input type="checkbox"/> Transom | 67mm Sculptured | <input type="checkbox"/> Addons TLRB | None |
| <input type="checkbox"/> Sash | 75mm T sash Bevel | <input type="checkbox"/> Frame Joint Type | Welded |
| <input type="checkbox"/> Bead | Sculptured | <input type="checkbox"/> Sash Joint Type | Welded |
| <input type="checkbox"/> Cill | 150mm | <input type="checkbox"/> Colour | Smooth White |
| <input type="checkbox"/> Cill Length | 940mm | <input type="checkbox"/> Window handle | White Handles |

Glass (Using retailer's own glass)

- | | |
|--|---|
| <i>Pane</i> | <i>Description</i> |
| <input type="checkbox"/> Upper Pane | Glass: FLOAT) low-e argon filled - Black Spacer - Clear |
| <input type="checkbox"/> Lower Pane | Glass: FLOAT) low-e argon filled - Black Spacer - Clear |

Opener Hardware

- | | | | | |
|--|---------------|-------------------|--------------|---------------------|
| <i>Pane</i> | <i>Handle</i> | <i>Drive gear</i> | <i>Hinge</i> | <i>Trickle vent</i> |
| <input type="checkbox"/> Upper Pane | White Handles | No | Standard | No |
| <input type="checkbox"/> Lower Pane | White Handles | No | Standard | No |



Date:	Customer:	Surveyor:
	Signature:	Signature:

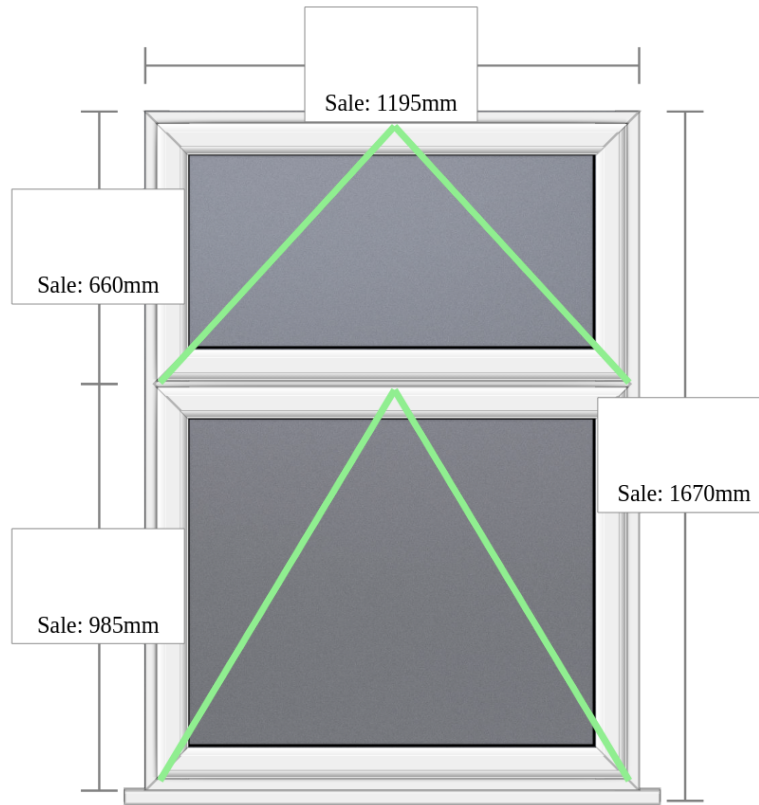
Item: 9 of 14

Location: Back right room

Job Type: Supply & Fit - Remove & replace

Surveyor Notes:

☀ View from outside



Casement window

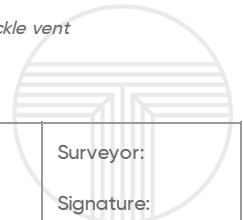
- | | | | |
|--------------------------------------|------------------------|---|---------------|
| <input type="checkbox"/> Frame | 57mm Sculptured | <input type="checkbox"/> Cill Left Horn Length | 50mm |
| <input type="checkbox"/> Sash | 75mm T sash Sculptured | <input type="checkbox"/> Cill Right Horn Length | 50mm |
| <input type="checkbox"/> Transom | 67mm Sculptured | <input type="checkbox"/> Addons TLRB | None |
| <input type="checkbox"/> Sash | 75mm T sash Bevel | <input type="checkbox"/> Frame Joint Type | Welded |
| <input type="checkbox"/> Bead | Sculptured | <input type="checkbox"/> Sash Joint Type | Welded |
| <input type="checkbox"/> Cill | 150mm | <input type="checkbox"/> Colour | Smooth White |
| <input type="checkbox"/> Cill Length | 1295mm | <input type="checkbox"/> Window handle | White Handles |

Glass (Using retailer's own glass)

- | Pane | Description |
|-------------------------------------|---|
| <input type="checkbox"/> Upper Pane | Glass: FLOAT) low-e argon filled - Black Spacer - Clear |
| <input type="checkbox"/> Lower Pane | Glass: FLOAT) low-e argon filled - Black Spacer - Clear |

Opener Hardware

- | Pane | Handle | Drive gear | Hinge | Trickle vent |
|-------------------------------------|---------------|------------|----------|--------------|
| <input type="checkbox"/> Upper Pane | White Handles | No | Standard | No |
| <input type="checkbox"/> Lower Pane | White Handles | No | Standard | No |

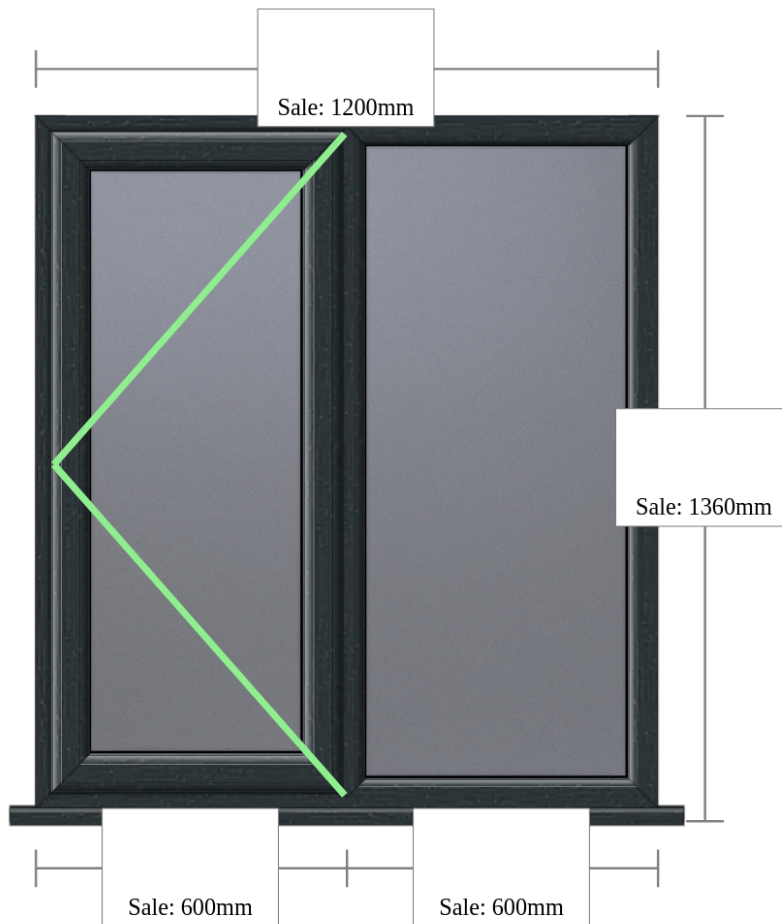


Date:	Customer: Signature:	Surveyor: Signature:
-------	-----------------------------	-----------------------------

Item: 10 of 14	Location: Utility room	Job Type: Supply & Fit - Remove & replace
-----------------------	-------------------------------	--

Surveyor Notes:

☀ **View from outside**



Casement window

- | | | | |
|---|------------------------|--|-----------------------------------|
| <input type="checkbox"/> Frame | 57mm Sculptured | <input type="checkbox"/> Cill Left Horn Length | 50mm |
| <input type="checkbox"/> Sash | 75mm T sash Sculptured | <input type="checkbox"/> Cill Right Horn Length | 50mm |
| <input type="checkbox"/> Mullion | 67mm Sculptured | <input type="checkbox"/> Addons TLRB | None |
| <input type="checkbox"/> Sash | 75mm T sash Bevel | <input type="checkbox"/> Frame Joint Type | Welded |
| <input type="checkbox"/> Bead | Sculptured | <input type="checkbox"/> Sash Joint Type | Welded |
| <input type="checkbox"/> Cill | 150mm | <input type="checkbox"/> Colour | Out: Anthracite, In: Smooth White |
| <input type="checkbox"/> Cill Length | 1300mm | <input type="checkbox"/> Window handle | White Handles |

Glass (Using retailer's own glass)

<i>Pane</i>	<i>Description</i>
<input type="checkbox"/> Pane A	Glass: FLOAT) low-e argon filled - Black Spacer - Clear
<input type="checkbox"/> Pane B	Glass: FLOAT) low-e argon filled - Black Spacer - Clear

Opener Hardware

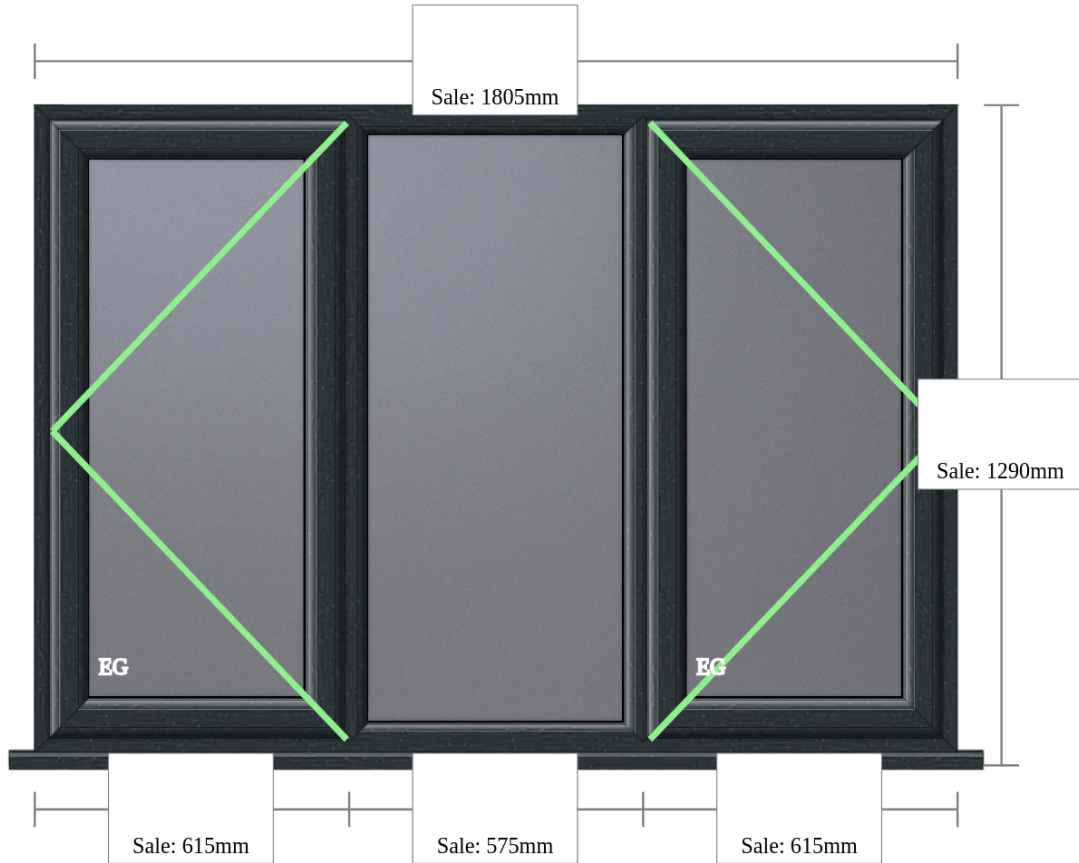
<i>Pane</i>	<i>Handle</i>	<i>Drive gear</i>	<i>Hinge</i>	<i>Trickle vent</i>
<input type="checkbox"/> Pane A	White Handles	No	Standard	No

Date:	Customer:	
	Signature:	
		Surveyor:
		Signature:

Item: 11 of 14	Location: Dormer	Job Type: Supply & Fit - Remove & replace
-----------------------	-------------------------	--

Surveyor Notes:

☀ **View from outside**



Casement window

- | | | | |
|---|------------------------|--|-----------------------------------|
| <input type="checkbox"/> Frame | 57mm Sculptured | <input type="checkbox"/> Cill Right Horn Length | 50mm |
| <input type="checkbox"/> Sash | 75mm T sash Sculptured | <input type="checkbox"/> Addons TLRB | None |
| <input type="checkbox"/> Mullion | 67mm Sculptured | <input type="checkbox"/> Frame Joint Type | Welded |
| <input type="checkbox"/> Sash | 75mm T sash Bevel | <input type="checkbox"/> Sash Joint Type | Welded |
| <input type="checkbox"/> Bead | Sculptured | <input type="checkbox"/> Colour | Out: Anthracite, In: Smooth White |
| <input type="checkbox"/> Cill | 180mm | <input type="checkbox"/> Window handle | White Handles |
| <input type="checkbox"/> Cill Length | 1905mm | <input type="checkbox"/> Egress | Yes |
| <input type="checkbox"/> Cill Left Horn Length | 50mm | | |

Glass (Using retailer's own glass)

<i>Pane</i>	<i>Description</i>
<input type="checkbox"/> Pane A	Glass: (TUFF) low-e argon filled - Black Spacer - Clear
<input type="checkbox"/> Pane B	Glass: (TUFF) low-e argon filled - Black Spacer - Clear
<input type="checkbox"/> Pane C	Glass: (TUFF) low-e argon filled - Black Spacer - Clear

Opener Hardware

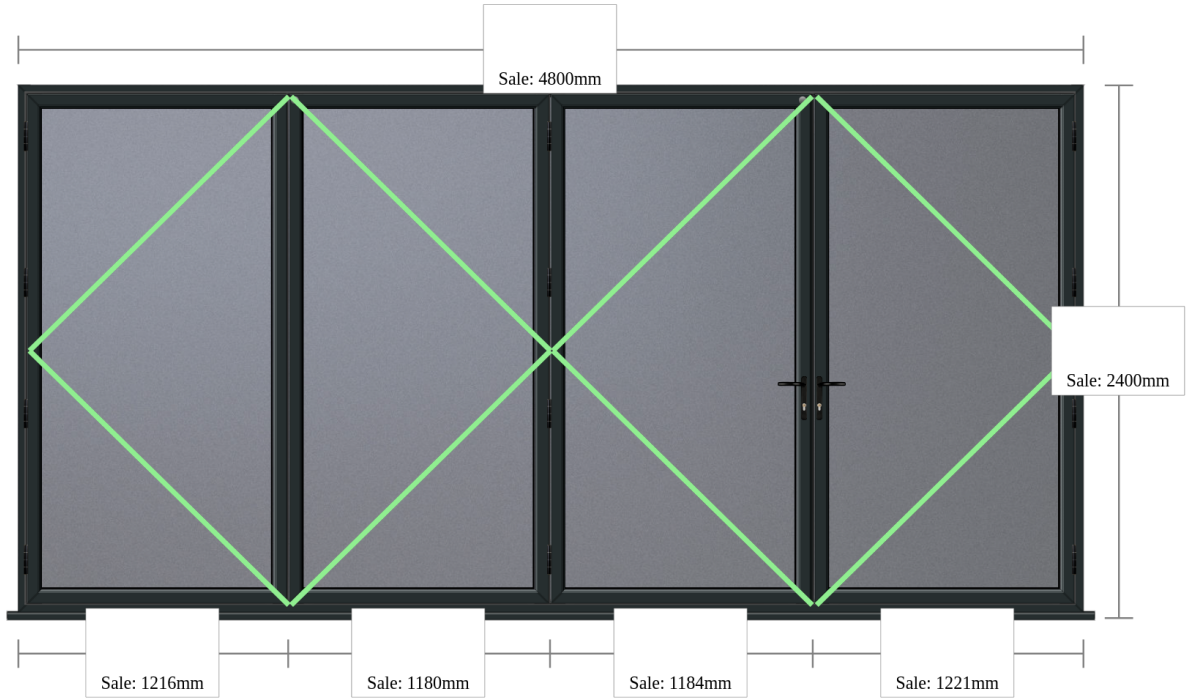
<i>Pane</i>	<i>Handle</i>	<i>Drive gear</i>	<i>Hinge</i>	<i>Trickle vent</i>
<input type="checkbox"/> Pane A	White Handles	No	Egress	No
<input type="checkbox"/> Pane C	White Handles	No	Egress	No

Date:	Customer:	
	Signature:	
		Surveyor:
		Signature:

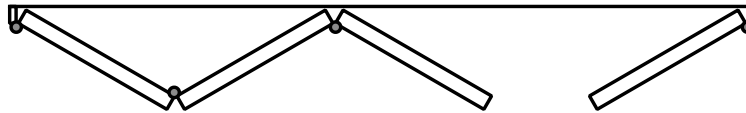
Item: 12 of 14	Location: Bifold	Job Type: Supply & Fit - Remove & replace
-----------------------	-------------------------	--

Surveyor Notes:

☀ View from outside



Plan View



Aluminium bifold

- | | | | |
|---|----------------|--|---------------------------|
| <input type="checkbox"/> Opens | Out | <input type="checkbox"/> Frame Joint Type | Mitred |
| <input type="checkbox"/> Frame | Standard Ovolo | <input type="checkbox"/> Sash Joint Type | Mitred |
| <input type="checkbox"/> Sash | Slim Ovolo | <input type="checkbox"/> Colour | Anthracite Grey |
| <input type="checkbox"/> Sash | Slim Bevel | <input type="checkbox"/> Lock Cylinder | Euro Cylinder Nickel |
| <input type="checkbox"/> Bead | Ovolo | <input type="checkbox"/> Pull Hinge | Black Open Out D Handle |
| <input type="checkbox"/> Cill | Extra Large | <input type="checkbox"/> Door Handle (master) | Windsor Lever/Lever Black |
| <input type="checkbox"/> Cill Length | 4900mm | <input type="checkbox"/> Door Handle (slave) | Windsor Lever/Lever Black |
| <input type="checkbox"/> Cill Left Horn Length | 50mm | <input type="checkbox"/> Door Handle (folding) | Flat Shootbolt Black |
| <input type="checkbox"/> Cill Right Horn Length | 50mm | <input type="checkbox"/> Bifold Hinge | Black |
| <input type="checkbox"/> Addons TLRB | None | <input type="checkbox"/> Bifold Catch | Small Magnetic Chrome |

Glass (Using retailer's own glass)

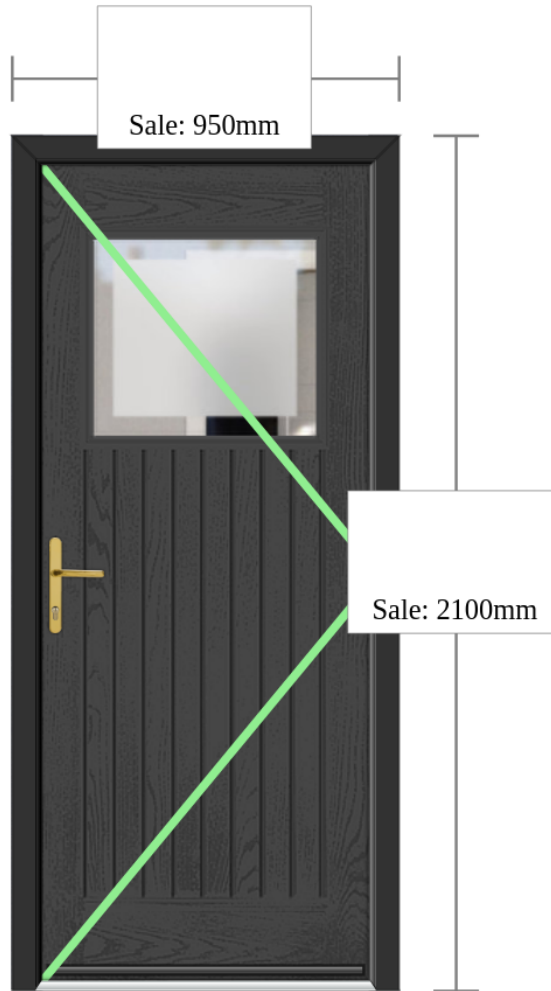
- | Pane | Description |
|---|---|
| <input type="checkbox"/> Door Pane A | Glass: (TUFF) low-e argon filled - Black Spacer - Clear |
| <input type="checkbox"/> Door Pane B | Glass: (TUFF) low-e argon filled - Black Spacer - Clear |
| <input type="checkbox"/> Door Pane Slave | Glass: (TUFF) low-e argon filled - Black Spacer - Clear |
| <input type="checkbox"/> Door Pane Master | Glass: (TUFF) low-e argon filled - Black Spacer - Clear |

Date:	Customer:	
	Signature:	

Item: 13 of 14	Location: Back door	Job Type: Supply & Fit - Remove & replace
-----------------------	----------------------------	--

Surveyor Notes:

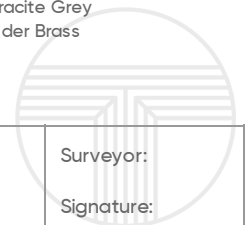
☀ View from outside



Palladio Composite Door

- Opens** In
- Frame** 77mm Ovolo
- Low Threshold** Stormguard Low Aluminium
- Door Style** Kildare
- Door Glazing** TG501
- Door drip** Face Fit Door Sash Weather Bar
- Addons TLRB** None

- Frame Joint Type** Welded
- Sash Joint Type** Welded
- Colour (inside)** PAL-White
- Colour (outside)** PAL-Anthracite Grey
- Lock Cylinder** Euro Cylinder Brass
- Door Hinge** White
- Door Handle** Gold

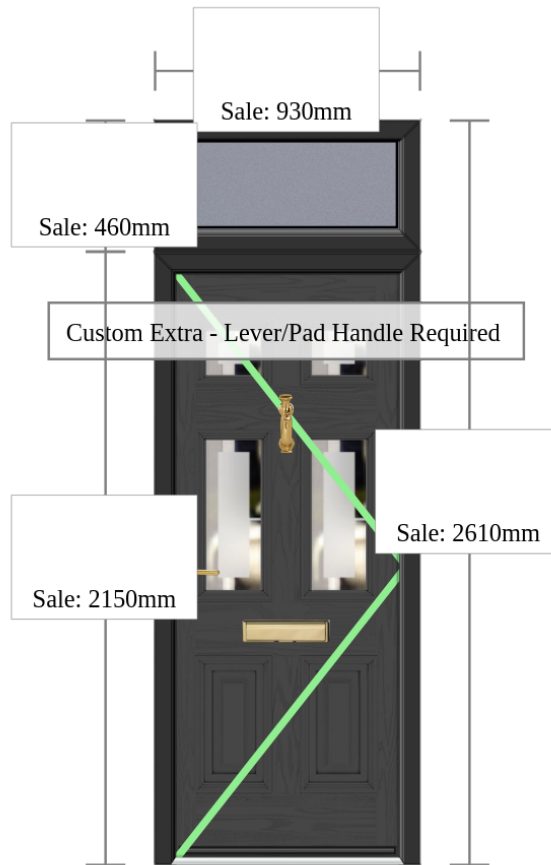


Date:	Customer:	Surveyor: Signature:
	Signature:	

Item: 14 of 14	Location: Front door (internal)	Job Type: Supply & Fit - Remove & replace
-----------------------	--	--

Surveyor Notes:

☀ View from outside



Palladio Composite Door

<input type="checkbox"/> Opens	In	<input type="checkbox"/> Sash Joint Type	Welded
<input type="checkbox"/> Frame	77mm Ovolo	<input type="checkbox"/> Colour	PAL-Anthracite Grey
<input type="checkbox"/> Low Threshold	Stormguard Low Aluminium	<input type="checkbox"/> Lock Cylinder	Euro Cylinder Brass
<input type="checkbox"/> Transom	Large Ovolo	<input type="checkbox"/> Door Hinge	Black
<input type="checkbox"/> Door Style	Georgian 2	<input type="checkbox"/> Door Handle	Gold
<input type="checkbox"/> Door Glazing	TG501	<input type="checkbox"/> Letterplate	Gold
<input type="checkbox"/> Door drip	Face Fit Door Sash Weather Bar	<input type="checkbox"/> Door Knocker	Coastal Doctors Door Knocker DKB192-PBC
<input type="checkbox"/> Addons TLRB	None	<input type="checkbox"/> Custom Extra	Lever/Pad Handle Required
<input type="checkbox"/> Frame Joint Type	Welded		

Glass (Using retailer's own glass)

<i>Pane</i>	<i>Description</i>
<input type="checkbox"/> Top Top Lights Pane	Glass: (TUFF) low-e argon filled - Black Spacer - Clear

Date:	Customer:	
	Signature:	