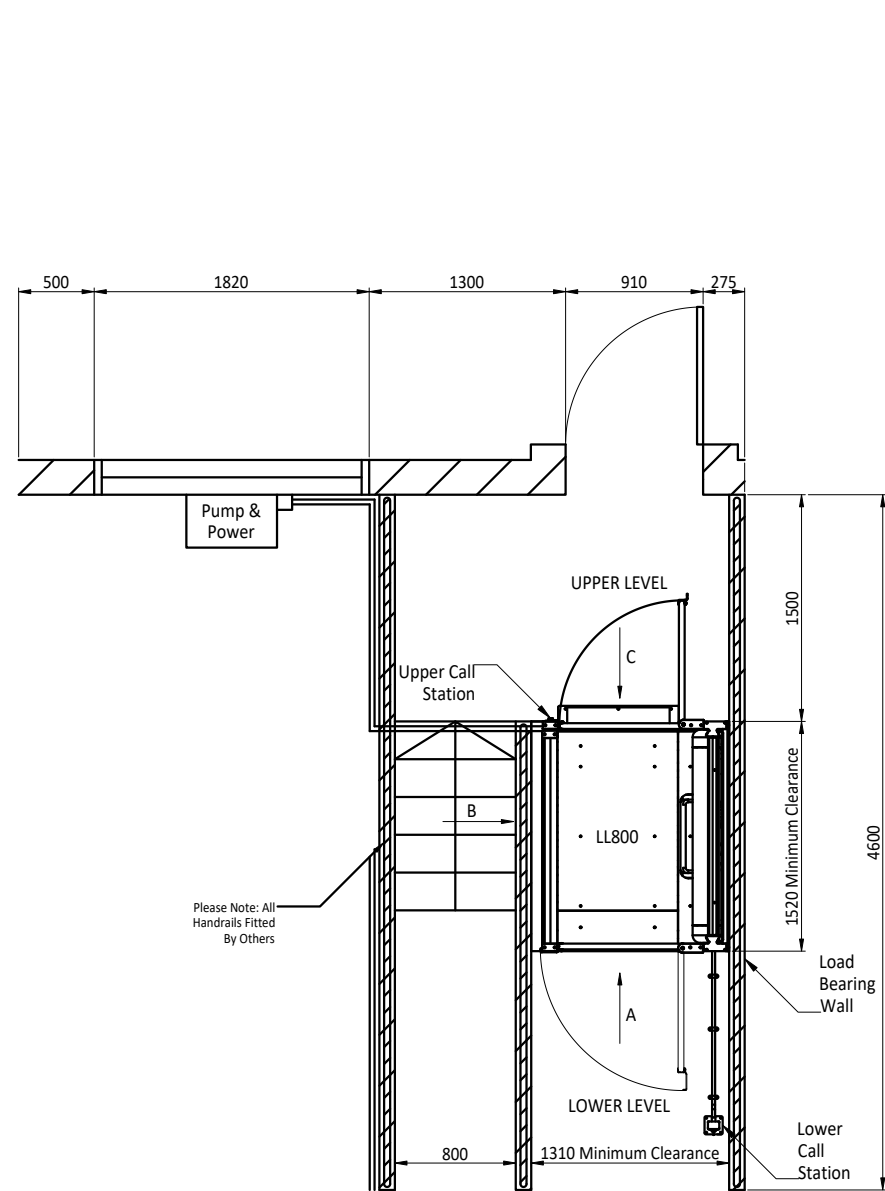


Third Angle Projection

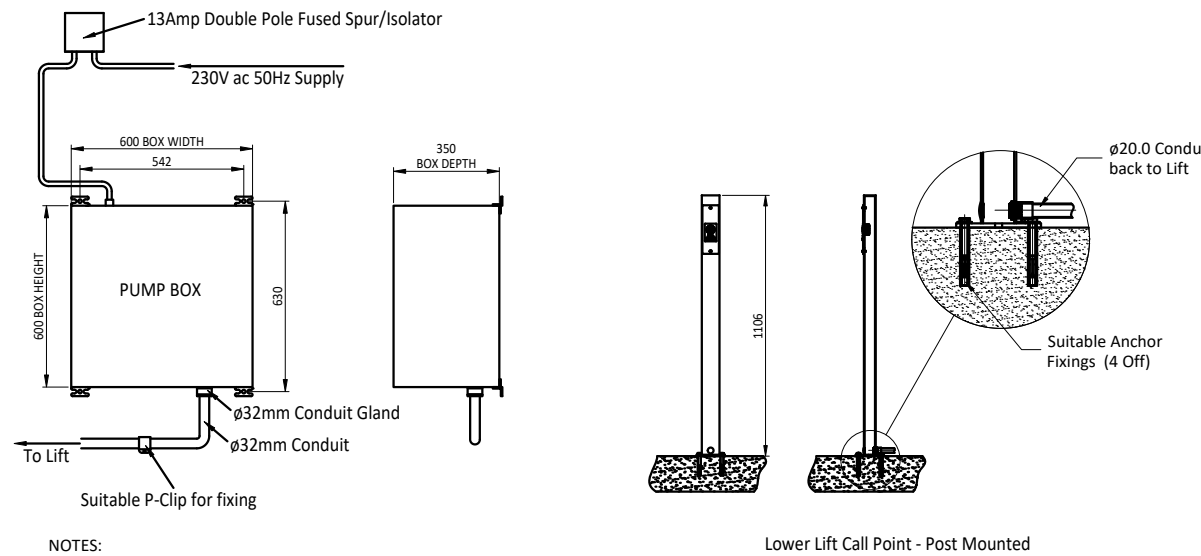
Remove all sharp edges. Do Not Scale If in doubt - Ask

ELECTRICAL DATA TABLE

Supply	Nominal Current	Consumer Unit Fuse Rating	Control Switch		Dedicated Supply?	RCD	Comments
			Rating	B.S.			
230v 50Hz Single Phase, Neutral & Earth	6.5A	16A	Spur with 13A DP Fused Switch. Fused at 13A.	3676	Yes	Yes	When MCB's are fitted in the main distribution board, they must be motor rated, type C.



PART PLAN VIEW

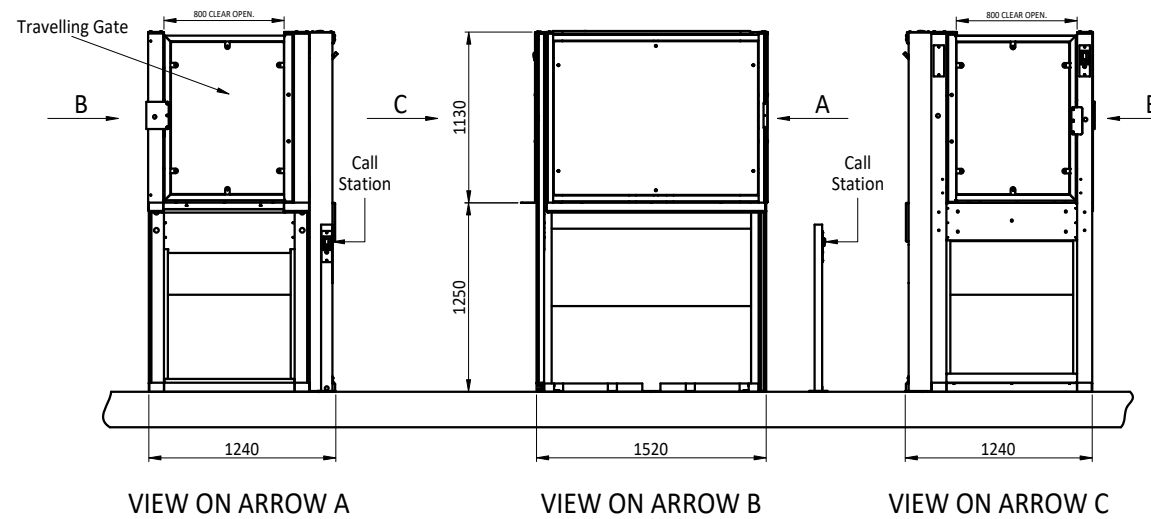


NOTES:

- Entry points for mains power supply and exit points for hydraulic hose are subject to site conditions and can be varied accordingly.
- Electrical Isolator must be positioned next to pump box enclosure.

- Enclosure cannot be positioned further than 8.0m from the lift

Pump Box & Power



VIEW ON ARROW A

VIEW ON ARROW B

VIEW ON ARROW C

Lift Technical Specification:

Built in compliance with BS 6440:2011

- Safe Working Load: 300Kg
- Travel Height: 1250 mm
- Lift Speed: 80mm/sec
- Internal Ramp Gradient: 1:6
- Power Supply 230V ac 50Hz Single Phase and Earth
- 1.5kW at 6.5A under full load conditions
- Lift Operating Voltage: 24Vdc
- Manual Emergency Lowering
- Hydraulic Drive
- Lift Colour: Bleu Sable
- Safety Edge fitted to top of carriage
- Safety Panel fitted to underside of platform

Prior to Installation, Client to provide:

- A dedicated 230v 50Hz Single Phase Supply, terminating at a 13A double pole isolator.
- Adequate lighting for both landing entrances.
- Landing Entrances free from hazardous obstructions
- Plumb, smooth and level (within 5mm) Lift base, Supporting Wall and Threshold Wall. See drawing OP01 9001.
- If conduit is required, it must be recessed into walls and floors and fitted with draw wires. (Min Ø50mm for Services and Min Ø25mm for call station cables (if required)).
- Any handrails required (On dwarf walls, upper landings etc, to avoid falling)

Powerpack:

- Powerpack position will change to suit site conditions. As standard, wall mounted on a structure capable of a maximum load of 75Kg. A floor mounted frame is available.
- Maximum distance from lift: 8m.

Special Requirements:

- External Specification
- Upper Call Station - Gate Mounted - Keyswitch
- Lower Call Station - Post Mounted - Keyswitch

BS 6440:2011 Recommendations:

- 1500mm Access recommended at upper and lower levels to allow for wheelchair turning circles.
- A Minimum of 2000mm is required above the threshold floor level.
- Adjacent surfaces greater than 10mm and less than 100mm from the carrier shall have a sensitive edge, photo cell or light curtain located along any affected sides.
- There is a risk of crushing if the part of the structure is less than 100mm to an adjacent surface.
- Adjacent surfaces greater than 100mm and less than 300mm from the carrier which do not form a continuous surface, shall have a sensitive edge, photo cell or light curtain along any affected sides.
- Please note we do not recommend the LL is fitted any closer than 70mm to any continuous vertical adjacent surface. This is to comply with BS6440 2011 recommendations on handrail clearances.
- Each site presents different risks, these must be assessed and addressed accordingly.

ALTERATION	INITIALS	DATE	REV
INITIAL DRAWING RELEASE	A.P.	04.12.23	A



THIS DRAWING IS THE PROPERTY OF WESSEX LIFTS CO LTD AND MAY NOT BE PUBLISHED, REPRODUCED OR USED FOR MANUFACTURE WITHOUT THE EXPRESS PERMISSION OF THE OWNERS IN WRITING

All Dimensions in mm (UOS)
TOLERANCES (Unless Otherwise State)
Decimal Places:
X = ± 1mm
X.X = ±0.25mm
X.XX = ±0.125mm
ANGULAR = ±0.5°
Thread ISO Course Class 6
Hole Size = H11

DRAWN BY:	A.P.	DATE:	04.12.23
MATERIAL:	SEE SALES SPECIFICATION		
FINISH:	SEE SALES SPECIFICATION		
WEIGHT:	N/A		
SCALE:	DO NOT SCALE	Sheet Size:	A3

TITLE
PROPOSED ARRANGEMENT OF EXTERNAL STEPLIFT (LL800) AT 29 WALTON ROAD, B68 9B2

DWG NO:
10351