

**EVD160KU/C01**

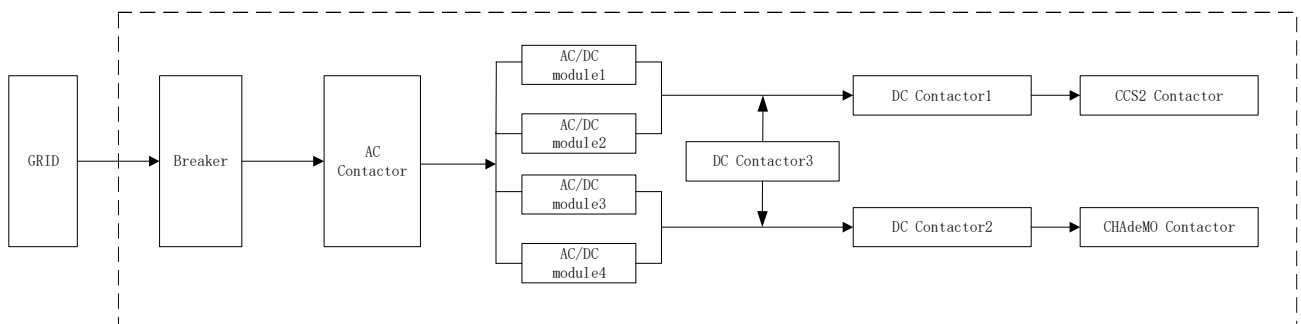
**Parameters of the manual**

**V3.0**

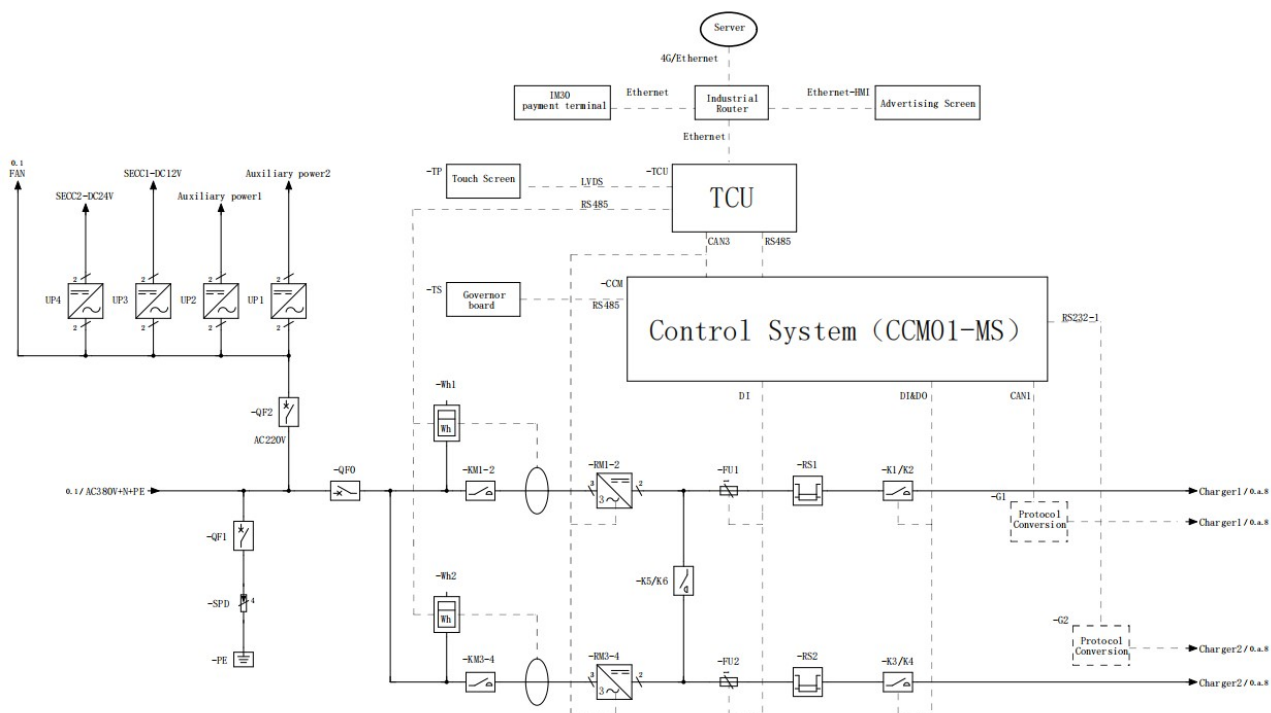
## Part 1: Picture



## Part 2: System Architectures



### Part 3: System communication topology

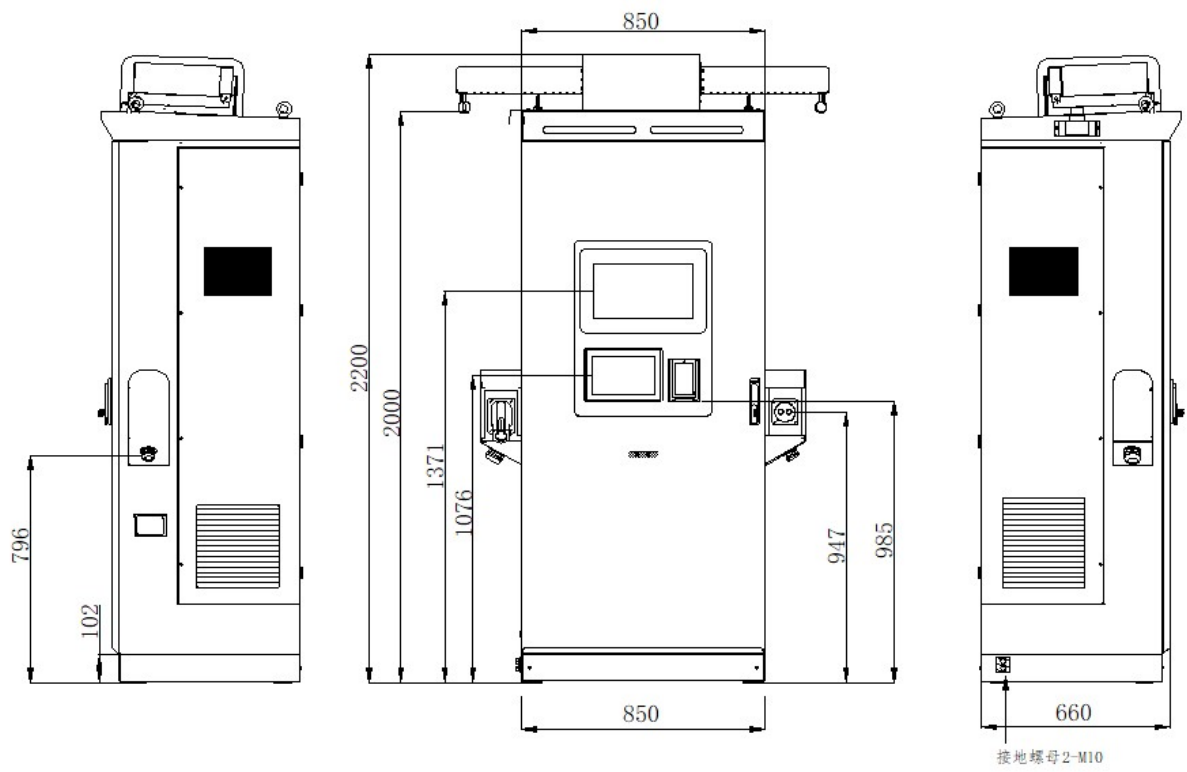


### Part 4: Main Technical Parameters

Specification	Model	EVD160KU/C01	
Power Input	Phases / Lines	3 phase + Neutral + PE	
	Voltage	AC 400 V ± 10%	
	Frequency	50Hz	
Power Output	Voltage	DC 200~1000V	DC 200~500V
	Current	Max. 400A	Max. 125A
	Power	Max.160kW	Max. 62.5KW
	Charging way	Simultaneous Charging	
Structure Design	Installation Method	Floor-stand	
	Charging Outlet	DC CCS 2	DC CHAdeMO
	Cable Length	4.8M	4.8M
	LED Indicator	Yes	
	HMI	10.1 in Color touch screen	
	LCD Screen	15.6 in Android screen	
	RFID Function	MIFARE Classic NEMA EV 2018 standard Apple VAS Google Smart Tap	
	Energy meter	MID	

	Efficiency	> 94%(> 15KW)
	Power Factor	> 0.98 (50% ~ 100% load)
	Harmonics	iTHD < 5%
	RCD	Yes
Communication	Charger v.s. EV	PLC (DIN 70121: 2014-12/ ISO15118)
	Communication Protocol	OCPP 1.6J
Environmental Index	Operating Temperature	-30 °C ~ +50 °C
	Working Humidity	5%~95% without condensation
	Working Altitude	<2000M
	Protection Grade	IP54
	Application Site	Indoor/Outdoor
	Cooling Method	Air-blast cooling
	Noise	≤65dB
Safety Protection	Multiple Protection	Over/Under voltage protection, Overload protection, Short Circuit Protection, Over/Under Temperature Protection, Grounding Protection, Surge Protection
	Certification	CE marking: Complies with IEC 62196, IEC 61851EMC Compliance EU: EN55011, EN55022 and IEC61000-4Surge Protection: IEC 6100-4-5, Level 5 (6 kV @ 3,000A) or Greater
Package Information	Net Weight	≤360KG
	Gross Weight	≤440KG
	External Packing	Wooden case

**Part 5: Dimension parameter**



**Dimension parameter: 850mm(W)\*2200mm(H)\*660mm(D)**