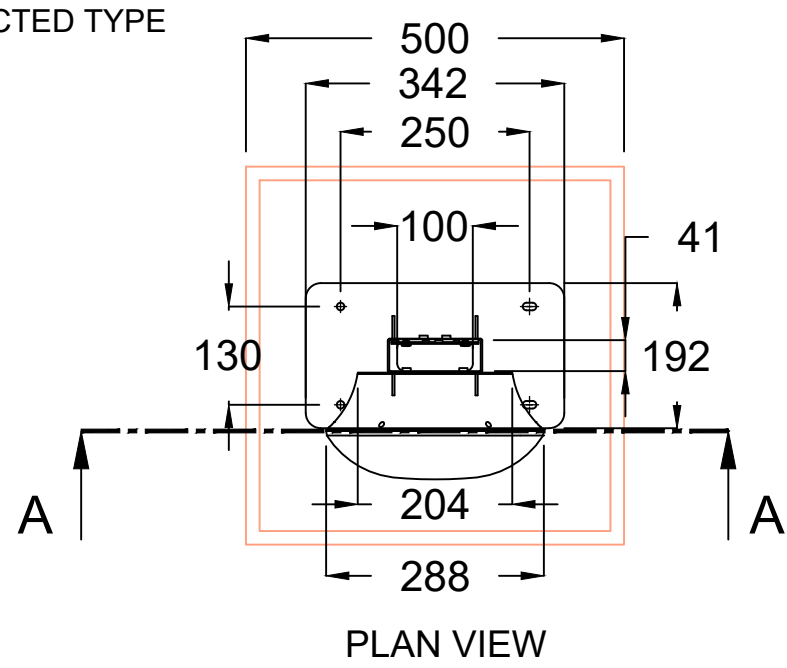


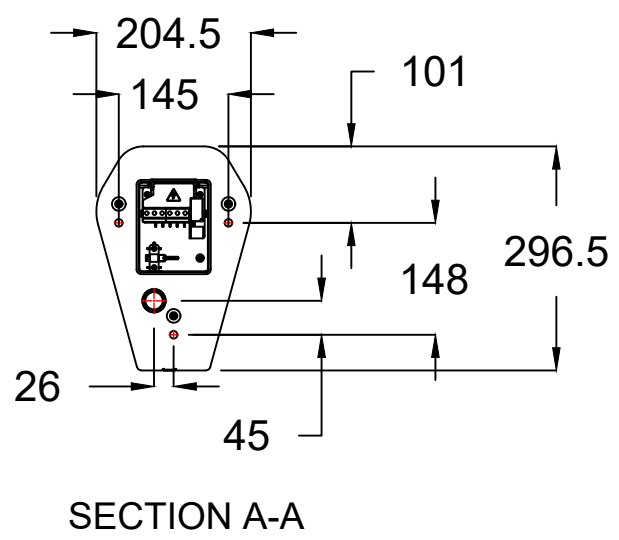
500 x 500 x 500mm DEEP
 MASS CONCRETE PAD
 FOUNDATION ON 150mm
 WELL COMPACTED TYPE
 1 hardcore

FRONT ELEVATION

SIDE ELEVATION



PLAN VIEW



SECTION A-A



REV.	DESCRIPTION	REV. BY	APP.	DATE	ADDRESS	PROJECT NAME	INSTAVOLT		
A	Issued for comment	CM	RK	24/02/22		EQUIPMENT ELEVATIONS	InstaVolt Ltd, 6 Cedarwood, Crockford Lane, Chineham Park, Hampshire, RG24 8WD © InstaVolt Ltd. 2020		
B	Foundations included	CM	RK	08/03/22		DRAWING TITLE XIAMEN GALAXY CAMPHOL TECHNOLOGY - POLE MOUNTED AC CHARGER			
						DRAWING NO.	SCALE (@A3)	DRAWN BY	REV.
						001_24	1:10	CM	B