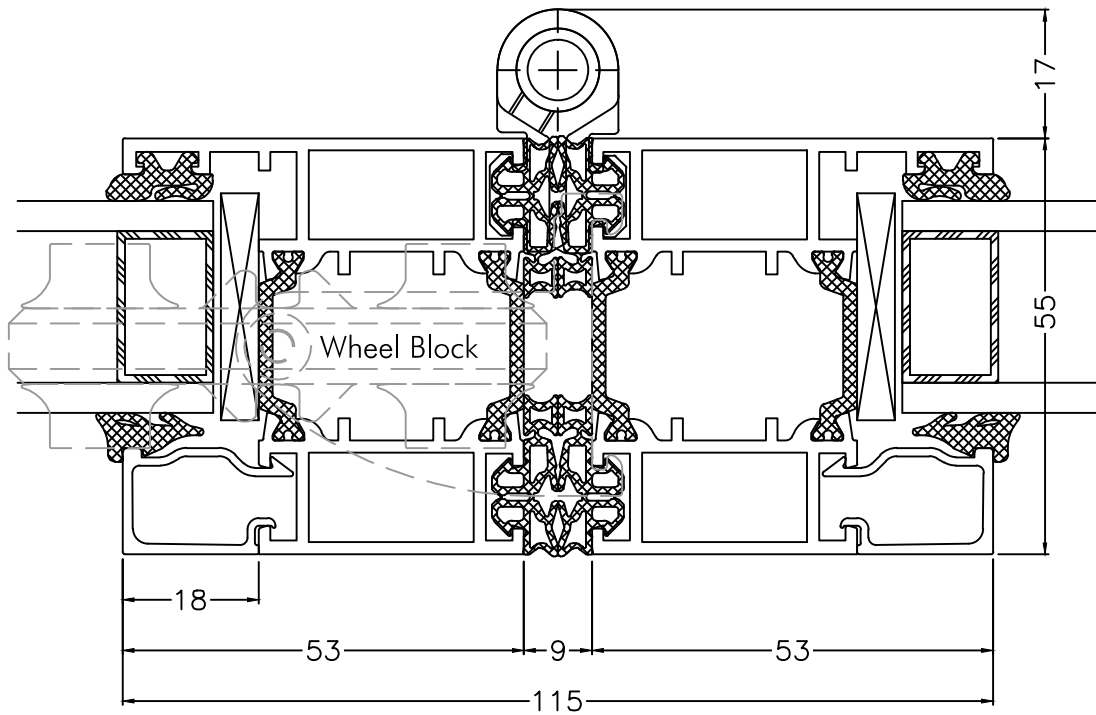


OUTSIDE



INSIDE

Description **Horizontal Section - Connection**
Panel 3R - Panel 2R / Open Out

Detail No: **SF55-A-05B**

System: **SF55**

A