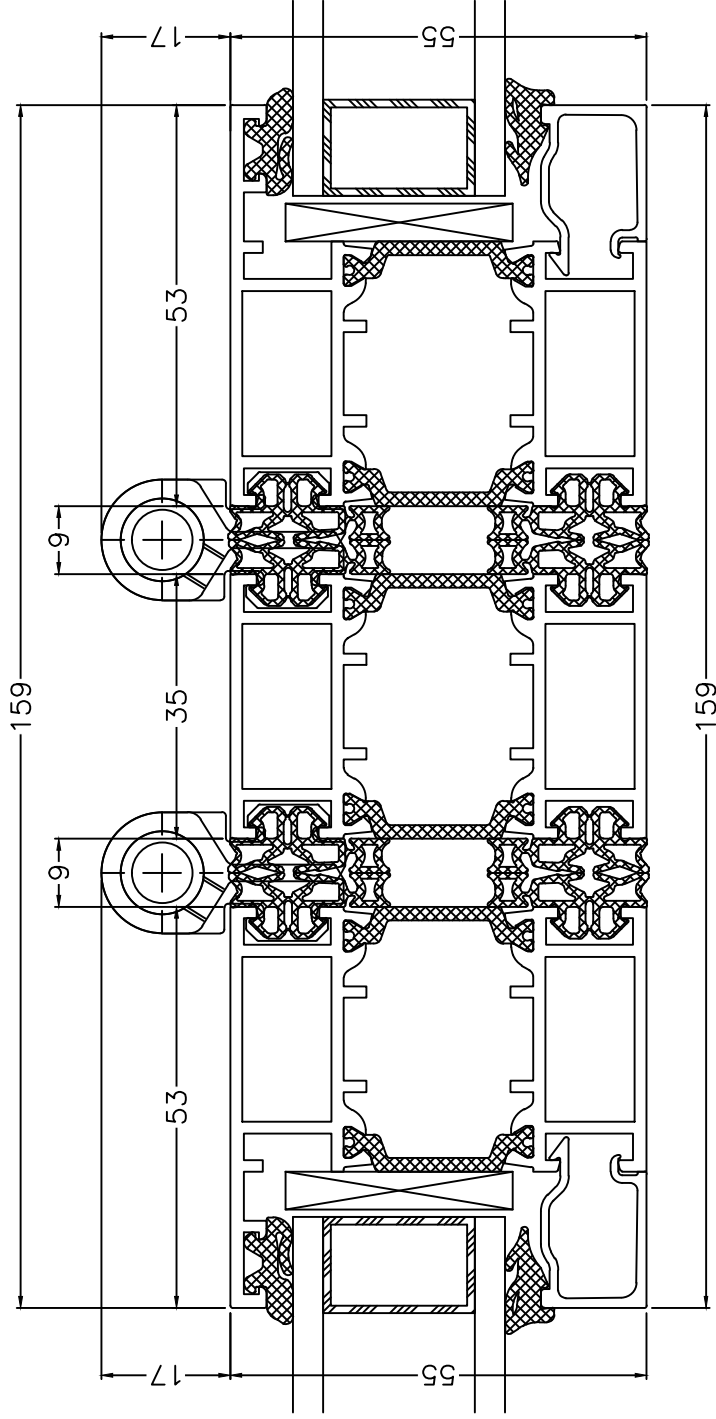
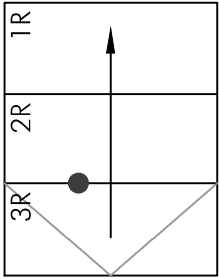


OUTSIDE



INSIDE

Description Horizontal Section - Connection  
Panel 2R - Panel 1R Additional Sliding Post / Open Out

Detail No: SF55-A-05D

System: SF55

A