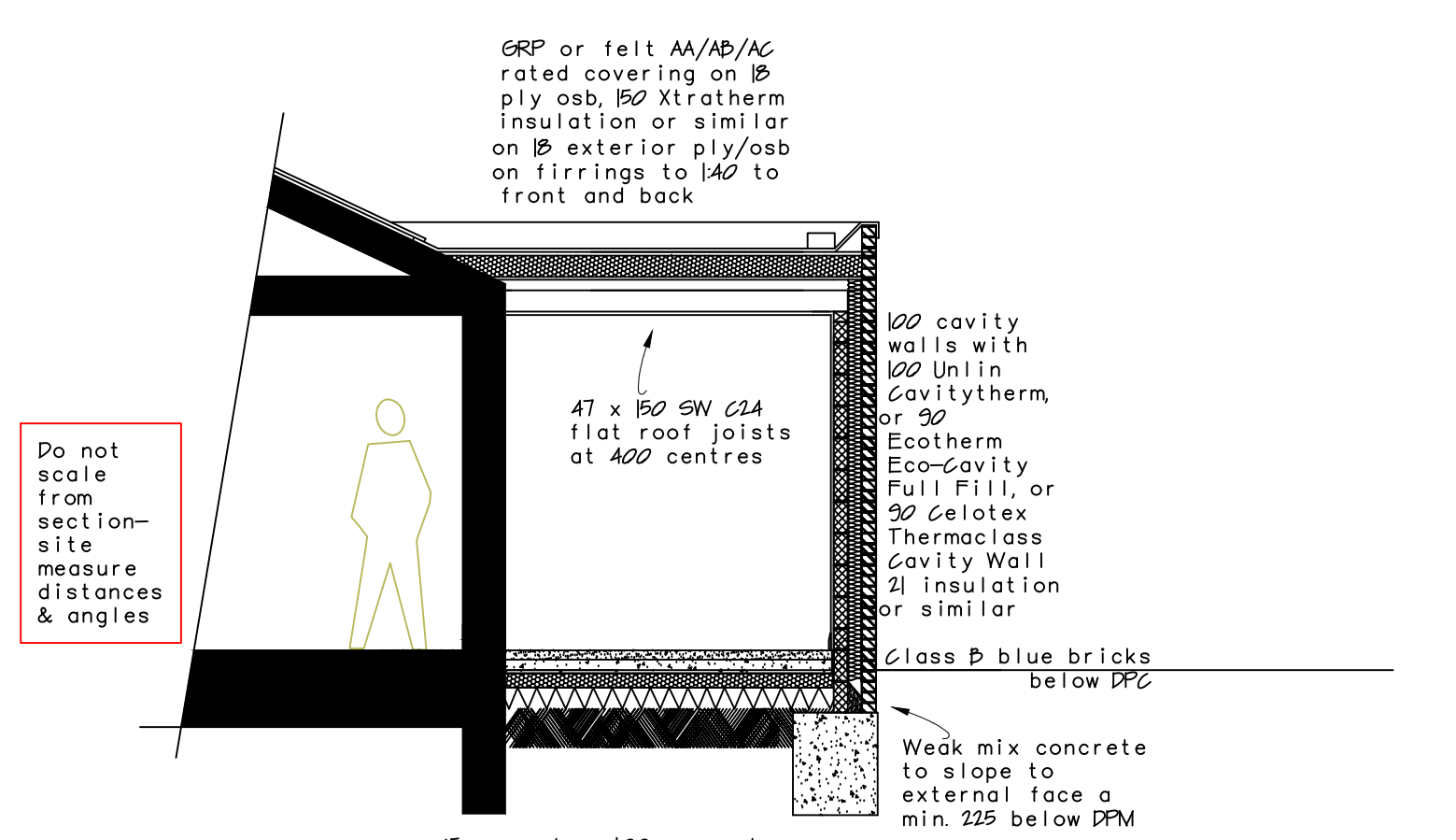
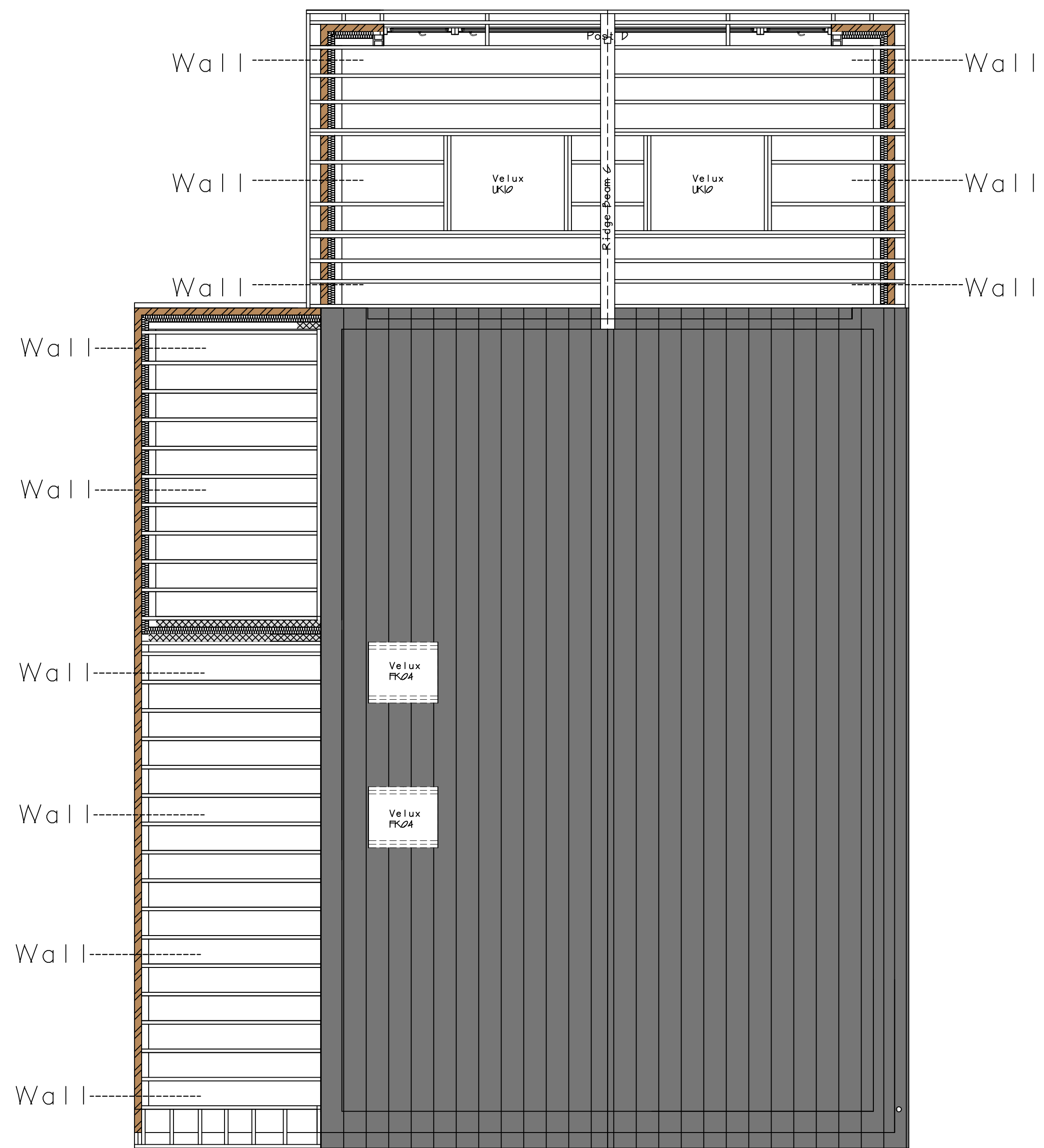


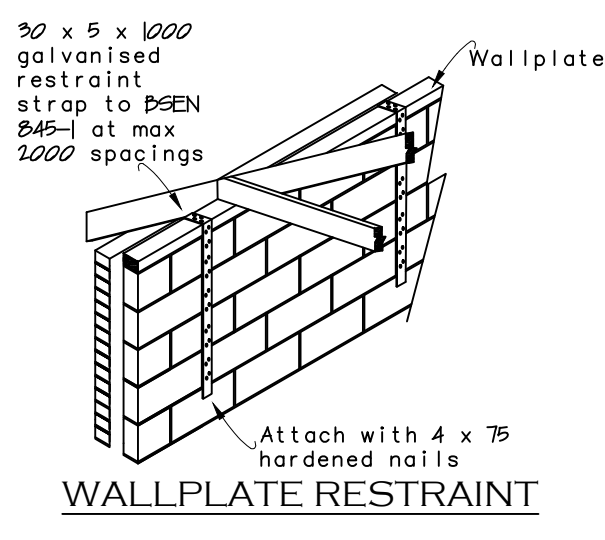
SECTION A - A
1:50



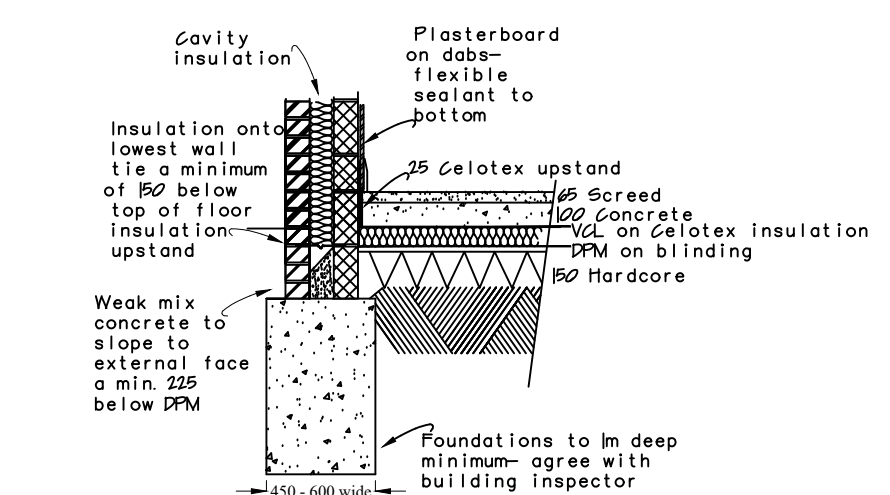
SECTION B - B
1:50



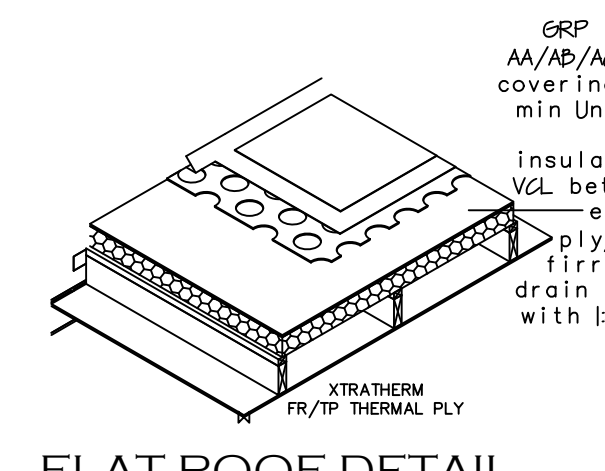
INDICATIVE ROOF TIMBER LAYOUT



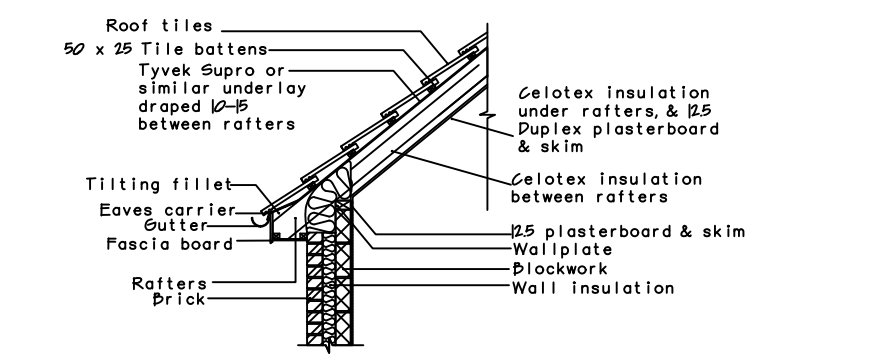
WALLPLATE RESTRAINT



INDICATIVE FOUNDATION/FLOOR DETAILS N.T.S.

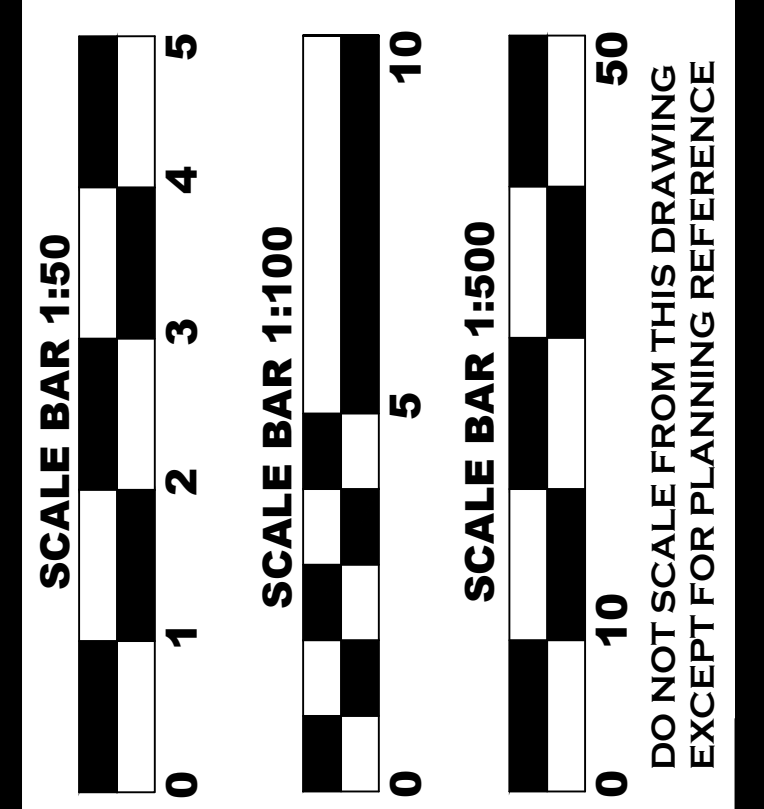


FLAT ROOF DETAIL



INDICATIVE EAVES DETAIL N.T.S.

GENERAL NOTES:
NO DIMENSIONS TO BE TAKEN FROM THIS DRAWING. ALL DIMENSIONS STATED ARE METRIC MILLIMETRES. ALL LEVELS, INVERTS AND DIMENSIONS TO BE CHECKED ON SITE BEFORE AND DURING WORK.
ALL WORK IS TO BE CARRIED OUT IN LINE WITH CURRENT BUILDING REGULATIONS, RELEVANT CODES OF PRACTICE, BRITISH & EUROPEAN STANDARDS AND MANUFACTURERS SPECIFICATIONS TO THE BUILDING INSPECTORS SATISFACTION, AND IN ACCORDANCE WITH PUBLIC AND PRIVATE UTILITIES REGULATIONS.
NO WORK TO ENCRUSH BOUNDARY LINES. IT IS THE CLIENTS RESPONSIBILITY TO ISSUE ANY 'PARTY WALL ACT 1996' NOTICE NECESSARY BEFORE ANY WORK COMMENCES ON THE BOUNDARY.
IT IS THE CLIENTS RESPONSIBILITY TO ENSURE ANY WORK SHOWN ON THIS PLAN DOES NOT CONTRAVENE ANY COVENANTS.
IT IS THE CLIENTS/ BUILDERS RESPONSIBILITY TO CHECK THE EXACT POSITION OF ALL SERVICES TO INCLUDE GAS, ELECTRICITY, WATER AND TELEPHONE, AND POSITION, OWNERSHIP AND DEPTHS OF FOUL AND RAINWATER DRAINAGE. THE EXACT SPECIFICATION OF FINISHES, FITTINGS AND SERVICES TO BE INSTRUCTED BY THE CLIENT.
ANY DEVIATION FROM THESE PLANS SHOULD BE NOTIFIED TO THE BUILDING INSPECTOR AND AMLI DESIGN.
IT IS THE OWNERS/ CONTRACTORS RESPONSIBILITY TO NOTIFY THE BUILDING INSPECTOR WHEN THE WORK IS READY FOR THE RELEVANT INSPECTIONS AND FOR THE CLIENTS RECEIPT OF THE COMPLETION CERTIFICATE.
IT IS ASSUMED NO PUBLIC SEWERS CROSS THE SITE.
THE CONTRACTOR IS ASSUMED TO HAVE VISITED SITE BEFORE TENDERING.
THIS DRAWING HAS BEEN PREPARED FOR LA PLANNING & BUILDING CONTROL CONSENT ONLY. USE IMPLIES THE CLIENT AGREES TO ALL TERMS AND CONDITIONS. UNTIL APPROVALS HAVE BEEN OBTAINED THESE DRAWINGS REMAIN PRELIMINARY. WORK SHOULD NOT COMMENCE OR MATERIALS ORDERED UNTIL APPROVAL IS OBTAINED. COPYRIGHT REMAINS WITH AMLI DESIGN.



PROJECT NAME
EXTENSIONS AND ALTERATIONS
30 BROOKS AVENUE
CROFT
LEICESTERSHIRE LE9 3GJ
FOR MR/S. L. CLARK

SCALE: 1:100/1:50 A1
DWG NO.: 30BA/2023 3/3
REV:

DATE: OCT 2023
DRAWN: DRI
CHKD: LC 10/23

AMLI Design
Architectural Consultancy
KENVALE HOUSE, 241 BIRSTALL ROAD, BIRSTALL, LEICESTER LE4 4DJ
Telephone: 0116 410 90 60
Mobile: 0774 807 111
Email: info@amliedesign.co.uk
Web: www.amliedesign.co.uk

Logos for CIOB, CABE, RIBA, LABC, TRADA, and other organizations.