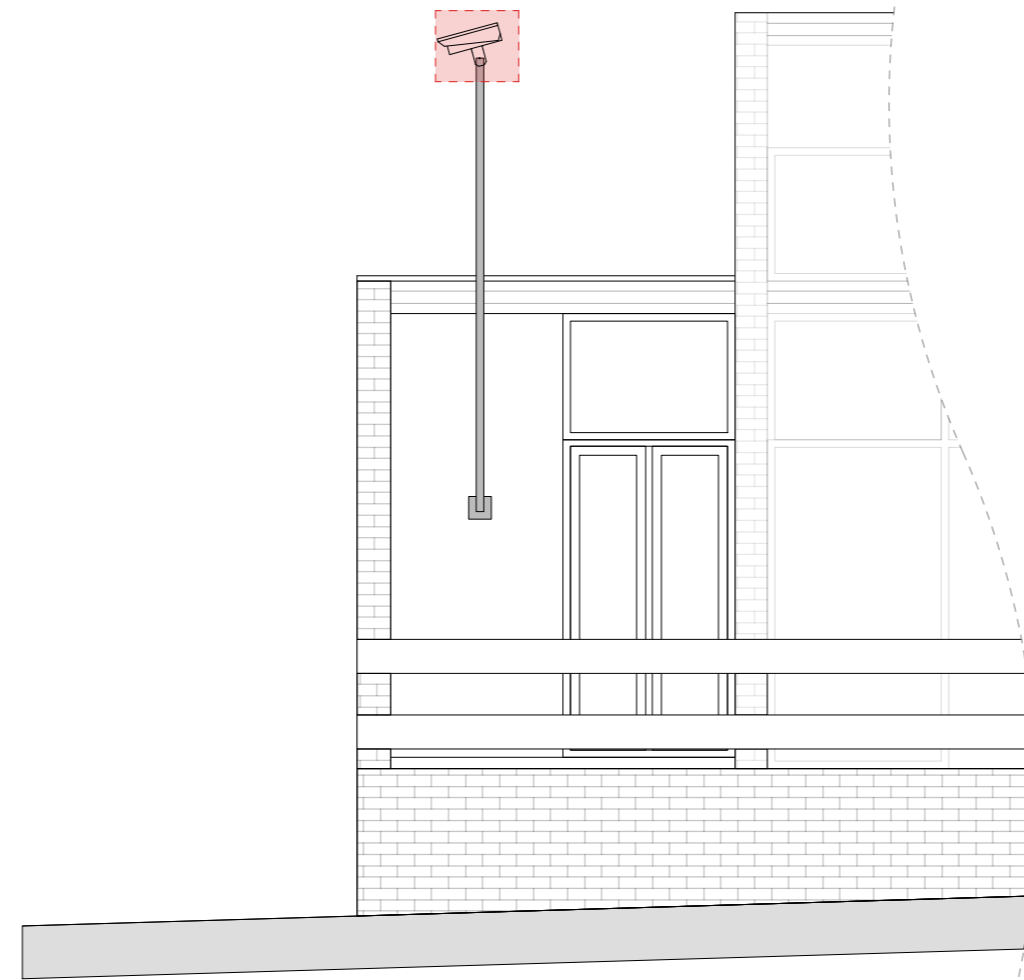


Notes:
 ALL INFORMATION SHOWN IN THIS DRAWING IS BASED ON CONDITION SURVEY CARRIED OUT BY RIO GROUP DATED 5th MAY 2023. ALL DOCUMENTS TO BE READ IN CONJUNCTION WITH RIO SURVEY REPORT.

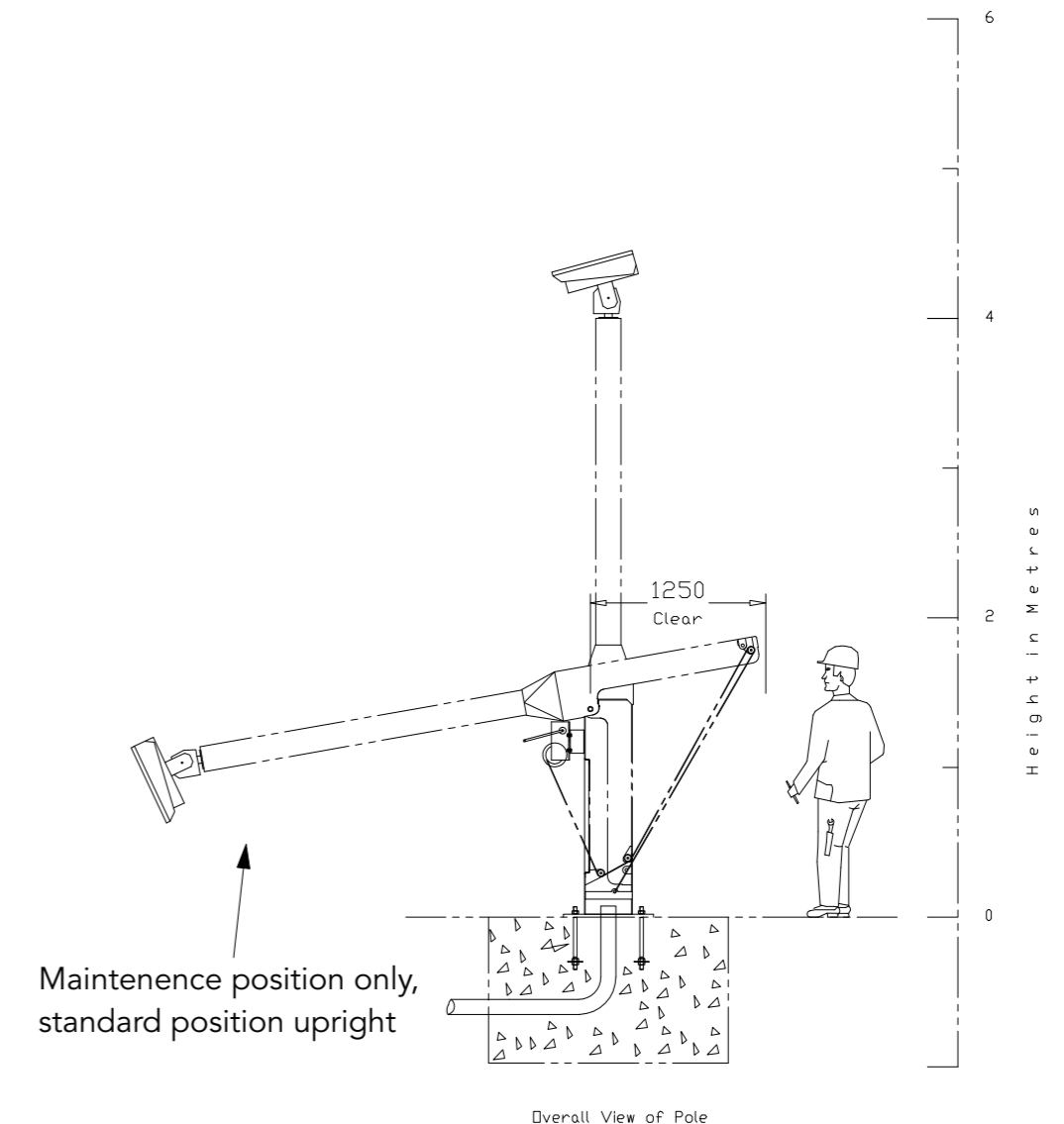


Base Map - Ordnance Survey, (c) Crown Copyright 2022. All rights reserved. Licence number 100022432

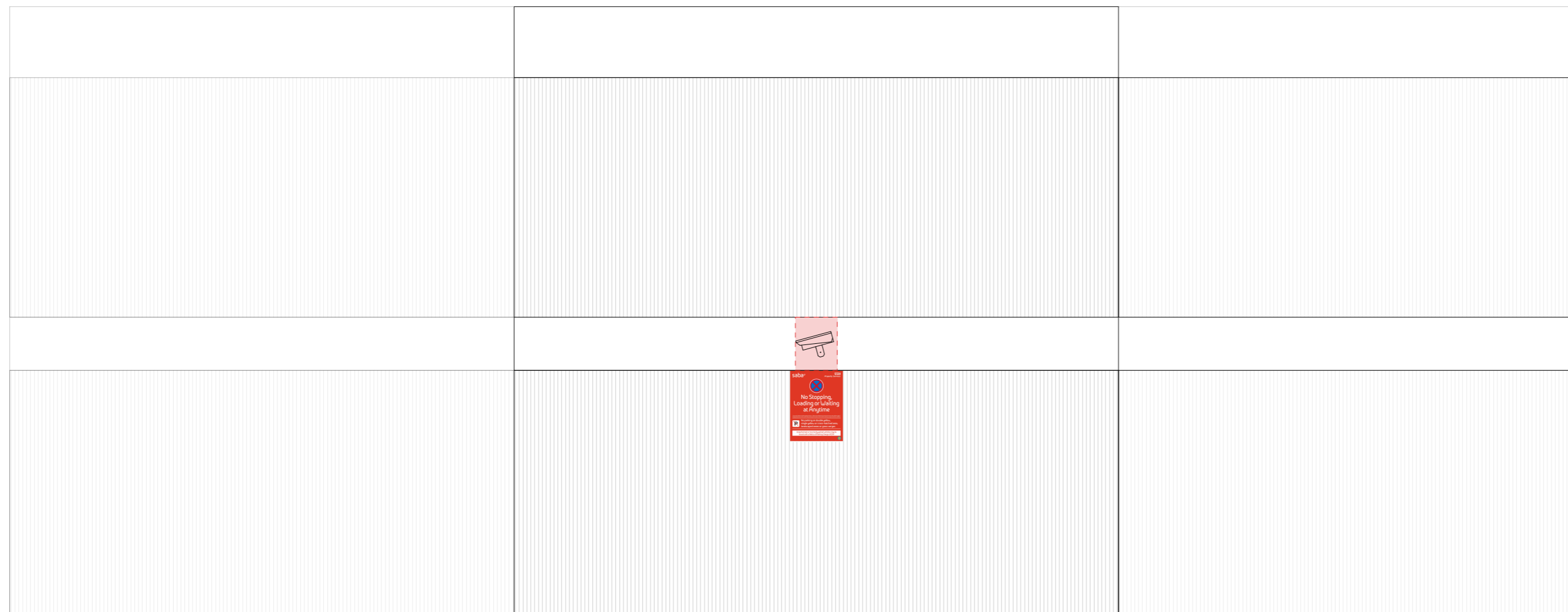
Site Plan @ 1:1000 Displaying Elevation Locations



Elevation A - (West Facing) @ 1:50



Elevation C - Proposed Camera @ 1:50



Elevation B - (North Facing) @ 1:50



Rev	Date	Revision Details	Author
P03	08/01/2024	Updated to show OS Licence Information.	CQ
P02	05/12/2023	Parking Spaces and Camera Locations Updated	CQ
P01	26/10/2023	Suitable for Information	CJQ

Rev	Date	Revision Details	Author
-----	------	------------------	--------

Status Purpose For Issue

S2 Suitable for Information

design büro
 The Design Buro (Coventry) Ltd
 5 Euston Place,
 Leamington Spa,
 Warwickshire,
 CV32 4LN
 01788 555350
 www.thedesignburo.co.uk

Client **NHS Property Services**

Job Ludlow Community Hospital
 Car Park Resurfacing Works

Title Proposed Camera Location Elevations

Drawn	Date	Checked	Date
CJQ	Oct 2023	MS	Oct 2023

Scale:Size 1:50 @ A2

Drawing Number 1825-DBC-ZZ-XX-DR-A-0610 | Revision P03

The copyright of this drawing is vested in the Architect/ Designer and must not be copied or reproduced without his written consent. Figured dimensions only to be taken from this drawing. All contractors and / or specialists must visit the site and be responsible for taking and checking all dimensions relative to this work.