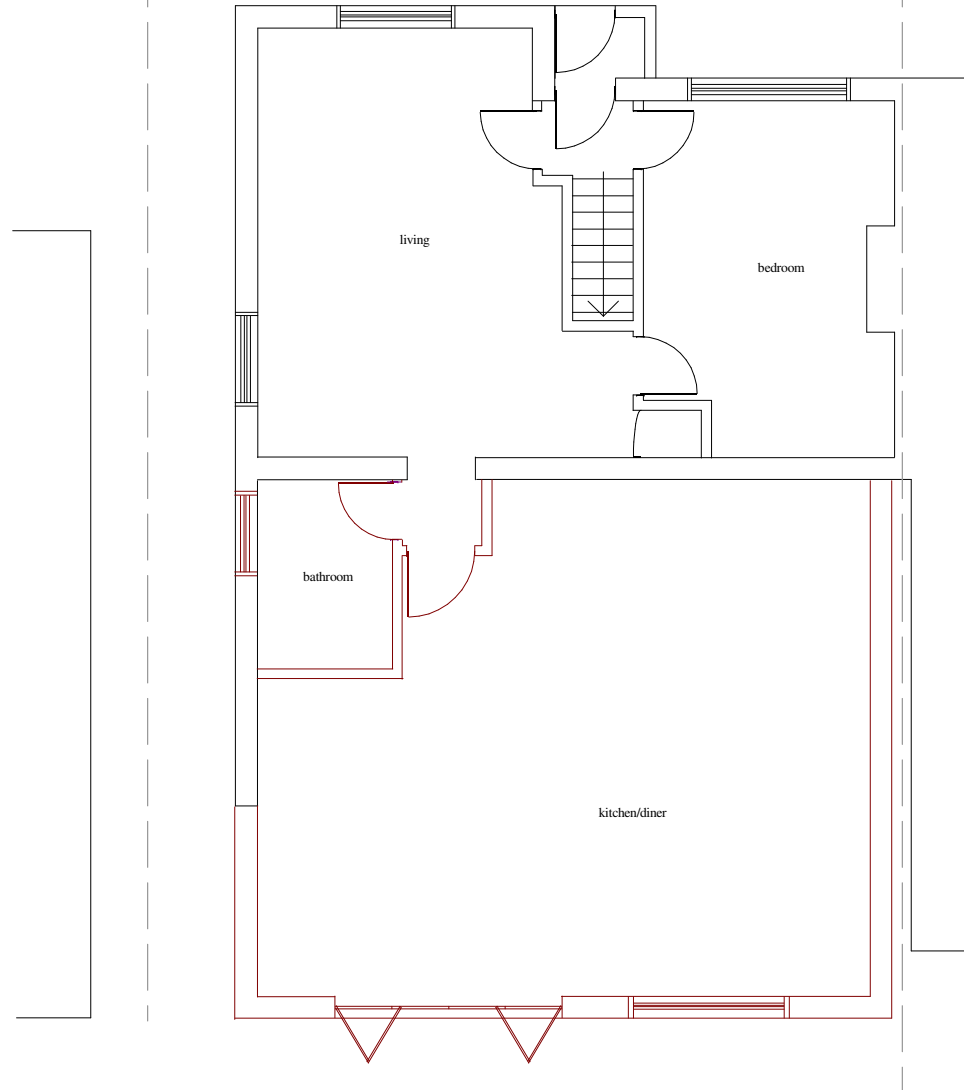
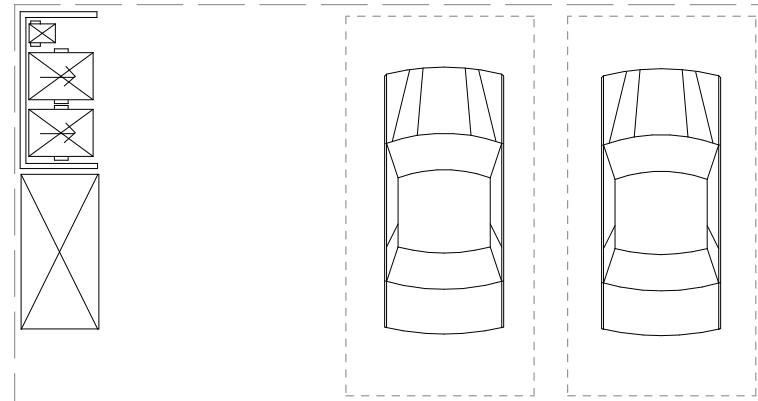


PROJECT
single storey rear
extension
223 London Road, Oxford

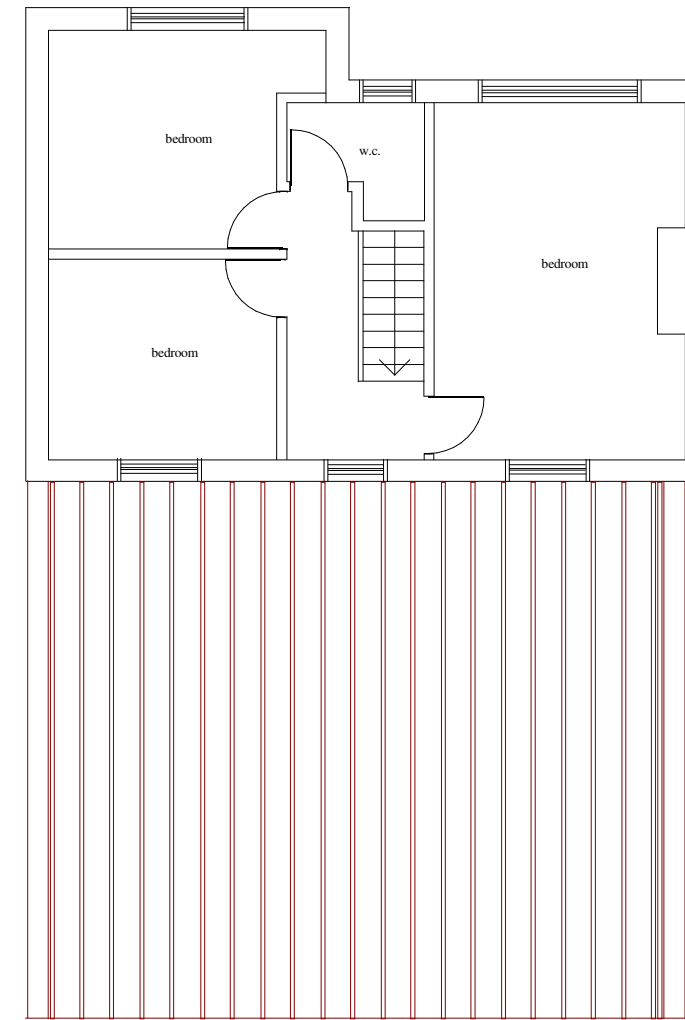
CLIENT
Ms Noreen Sarwar,
190 Headley Way,
Oxford
OX3 7TA

DRAWN BY
James Driscoll
01.12.23
DRAWING NUMBER
223londonroad3.2.1
SCALE - 1:100 @A3

THE ONE-STOP PLANNING SERVICE
18 Dearlove Close,
Abingdon
OX14 1LP
Tel - 07846 962 886



PROPOSED GROUND FLOOR PLAN



PROPOSED FIRST FLOOR PLAN