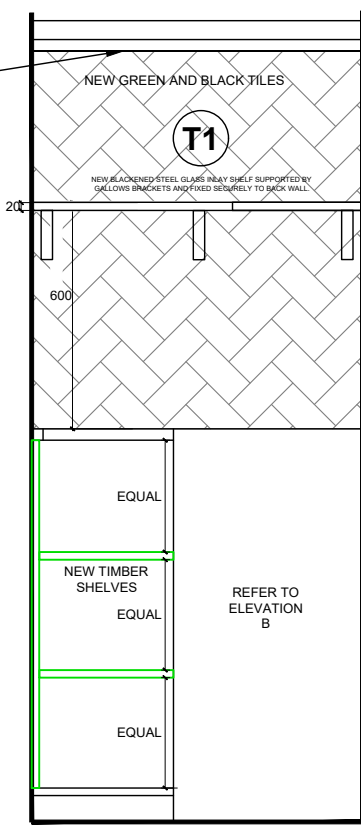
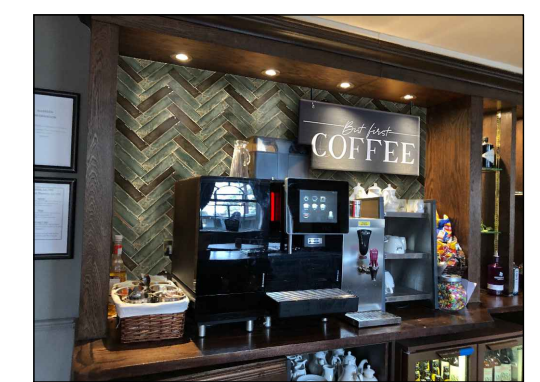
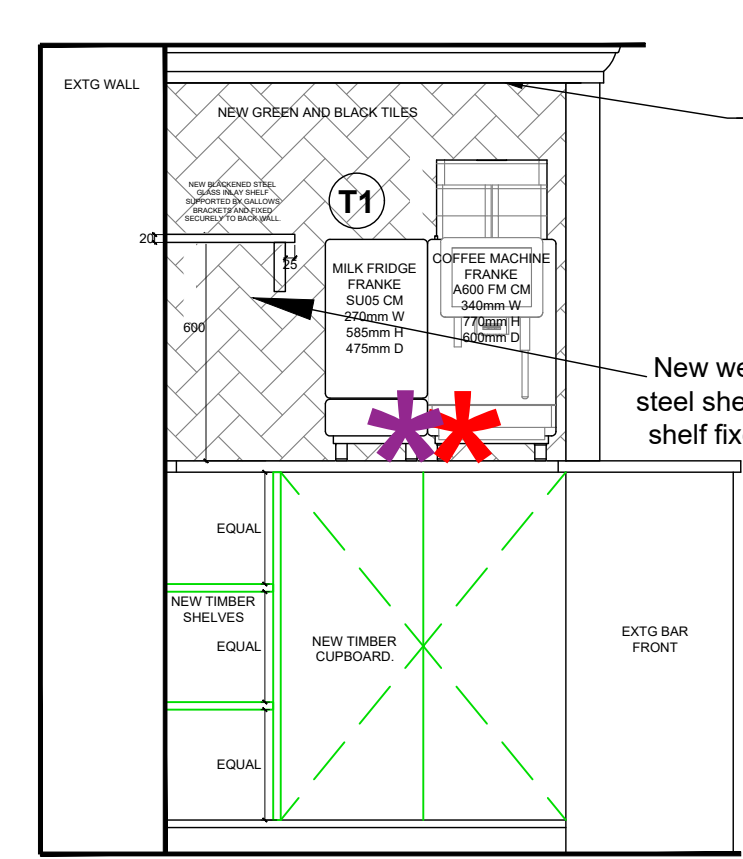
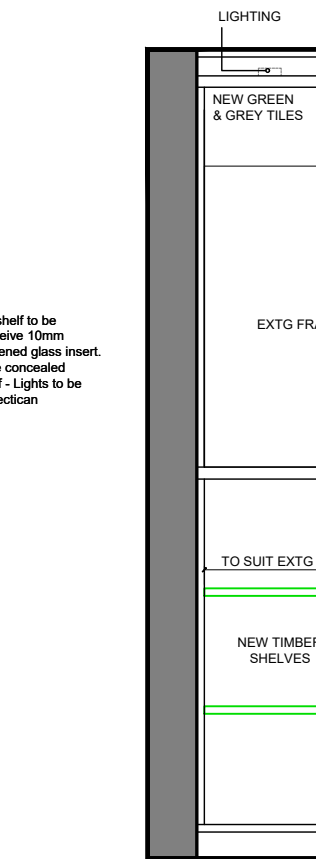
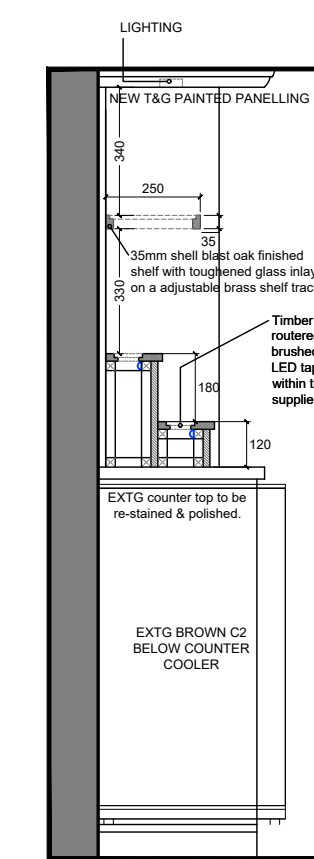
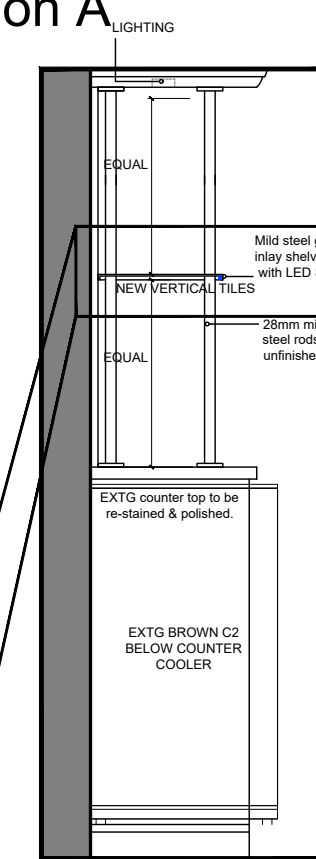
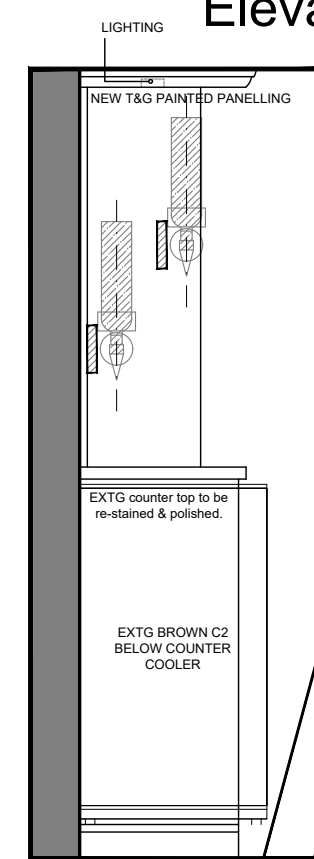
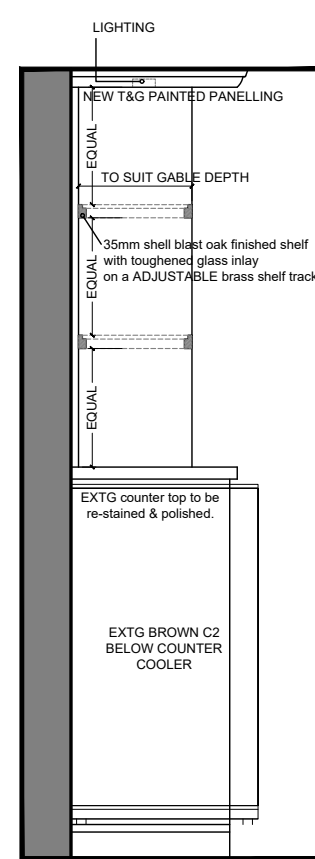
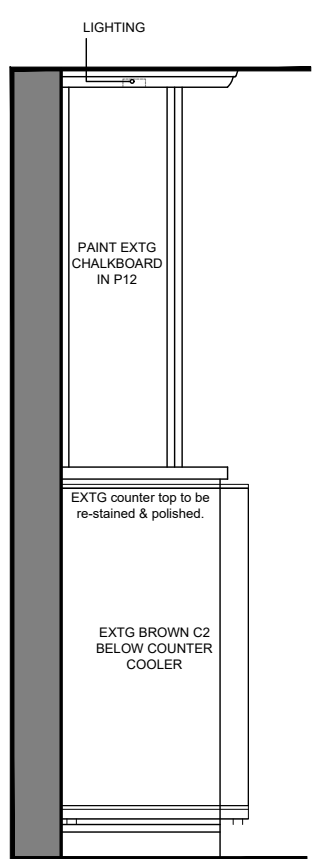
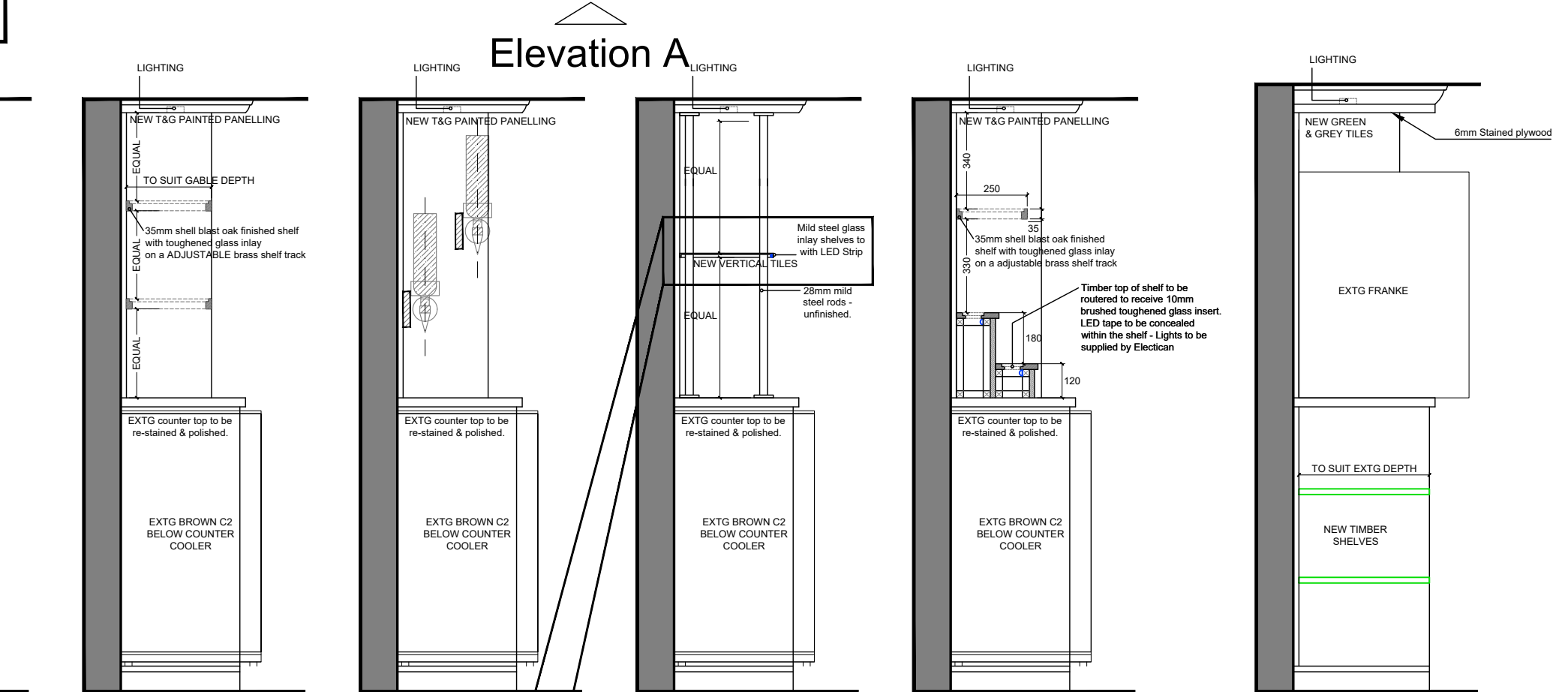
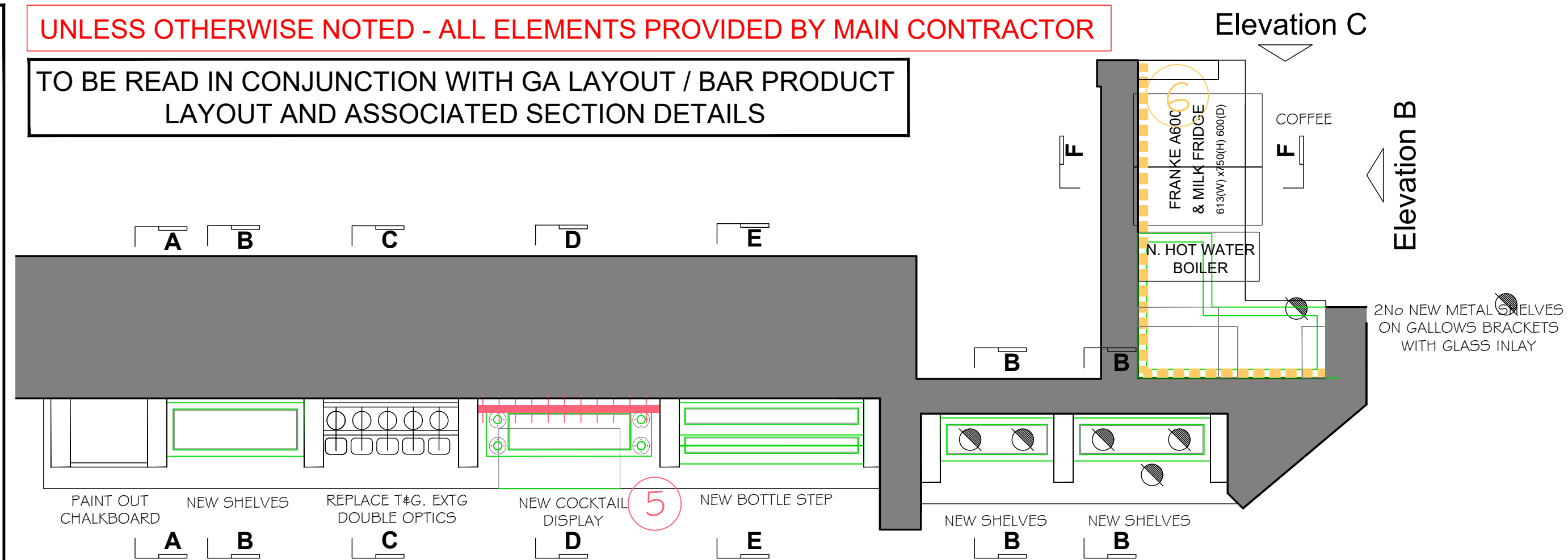


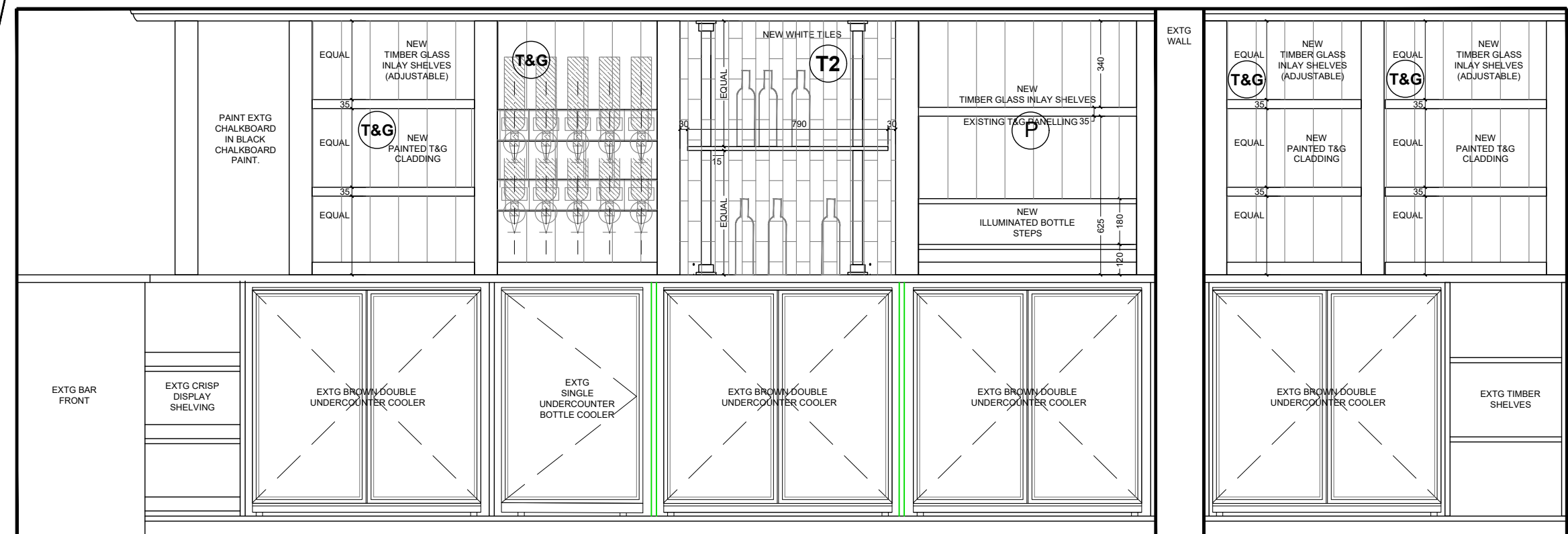
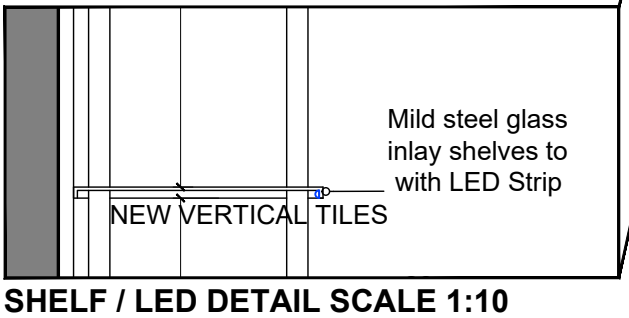
- BACK FITTING / BAR FINISHES**
- T&G** T&G to back fitting:
Colour Dulux - 30YY 25/026
 - T1** T1. Tile 1:
Supplier: Nick Firth
Tel: 0114 261 9111
Ref: Luxe 240 x 60mm
Colour: 75% Green and 25% Black
Mortar Colour: Mapei Dark Grey
 - T2** T2. Tile 2:
Supplier: Nick Firth
Tel: 0114 261 9111
Ref: Luxe 240 x 60mm
Colour: Bianco
Mortar Colour: Dove Grey
 - RG** Reeded Glass:
Within hardwood frame.
Painted behind in Dulux 30YY 25/026
 - ST** Bar Top Stain:
Stained and polished Finish
Morrells Classique Stain - Jacobean 134/00016B
Sadolin PV67 Heavy Duty Varnish
Satin Clear
 - P** White Wash Parquet Cladding:
22mm Solid timber parquet blocks to be installed in a 45 degree herringbone arrangement between the existing backfitting modules.
Supplier: Jack Evie Tel: 07785 223 427
Ref: The Las Vegas Collection
Colour: Platinum
Size: 500 x 70 x 22

UNLESS OTHERWISE NOTED - ALL ELEMENTS PROVIDED BY MAIN CONTRACTOR

TO BE READ IN CONJUNCTION WITH GA LAYOUT / BAR PRODUCT LAYOUT AND ASSOCIATED SECTION DETAILS



- * MAINS COLD WATER FEED REQUIRED
- * 32MM DRAIN REQUIRED



NOTE
T&G to be painted Dulux 30BB 07 / 020
Back fitting stain for counter top, shelving and divisions to be;
- Morrells Water based stain 50% Walnut / 50% Dark Oak
- Sadolin PV67 Satin finish lacquer/seal.



© copyright
This drawing is the copyright of ABA architecture and interiors limited. Copyright is reserved by them and the drawing is issued on condition that it is not copied, reproduced, retained or disclosed to any unauthorised persons, either wholly or in part, without the written consent of ABA architecture and interiors limited. This drawing has been prepared for presentation purposes only. Consultants wishing to use the drawing for guidance must check all dimensions on site prior to finalising their element of work to be undertaken.
NOTE: Full survey not carried out - drawings and details produced from information provided by others and all are responsible for checking dimensions etc.

REV: DATE: BY: COMMENT:

aba
architecture and interiors
globe works, kelham island, sheffield, s6 3ae 0114 201 5023
www.abaarchitecture.co.uk

CLIENT: MAB - EMBER INNS FY24 REMODEL
PROJECT: BRITANNIA INN BUN: 177237
LONDON ROAD, OXFORD, OXFORDSHIRE, OX3 7AA
TITLE: DETAIL: Bar Backfitting Elevations
INITIALS: HB DATE: OCT 23 SCALE: 1:20 (A2)
NUMBER: 2536-311REV: ---- STATUS: TENDER