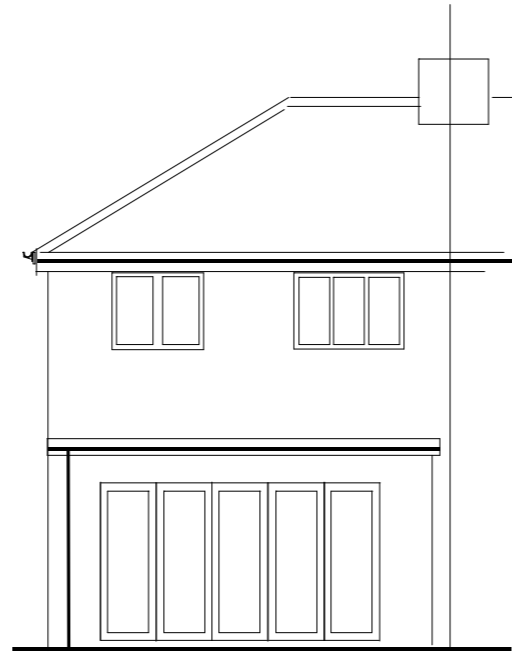


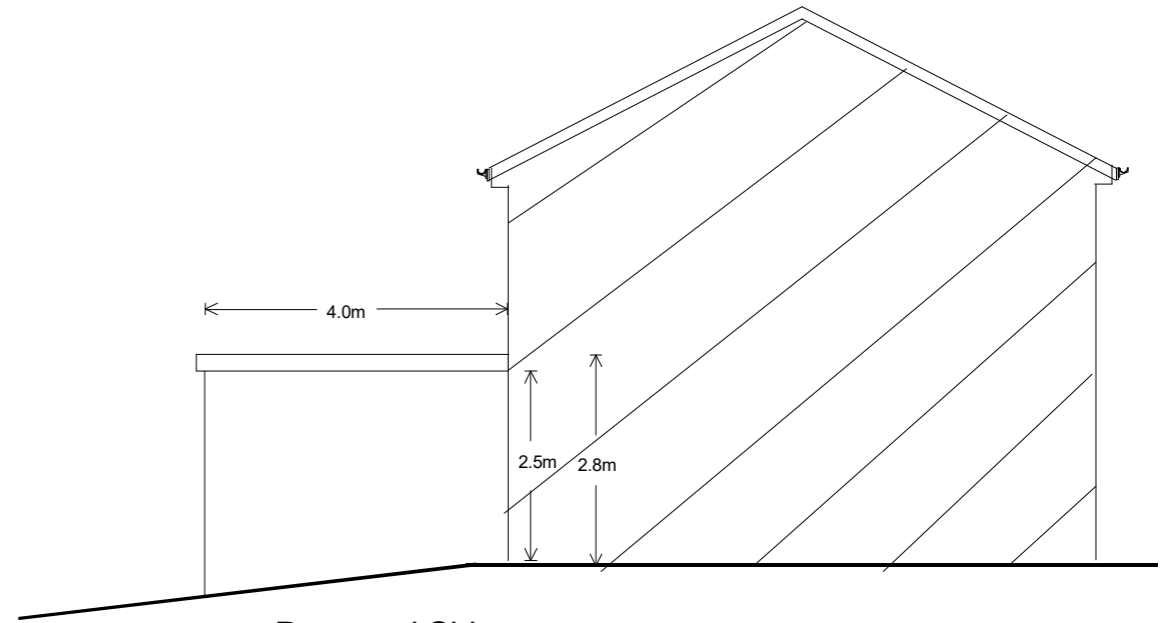
Stamp



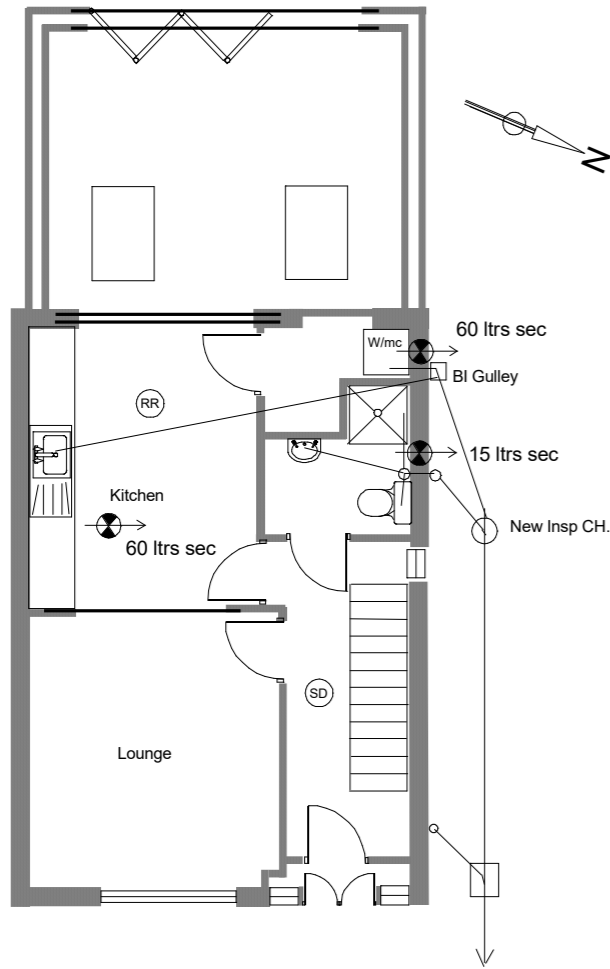
Existing Front (No Change)



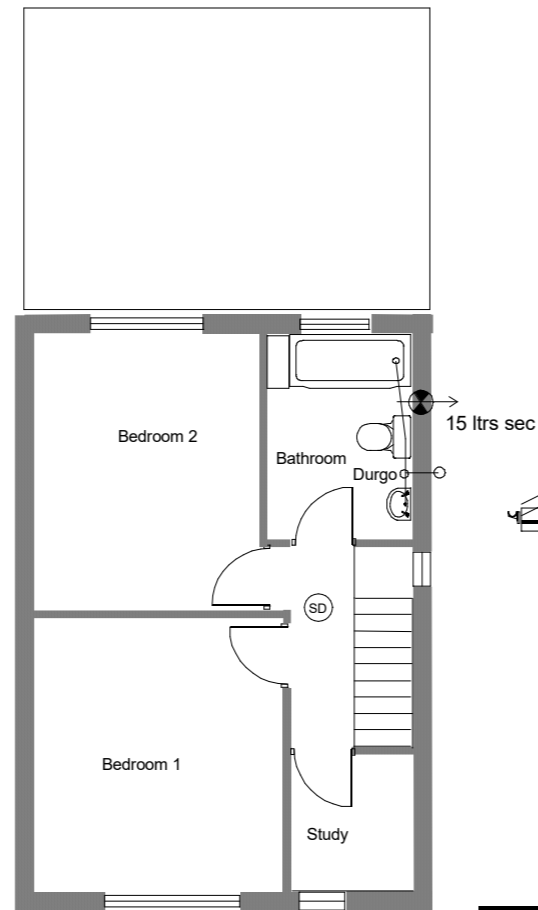
Proposed Rear



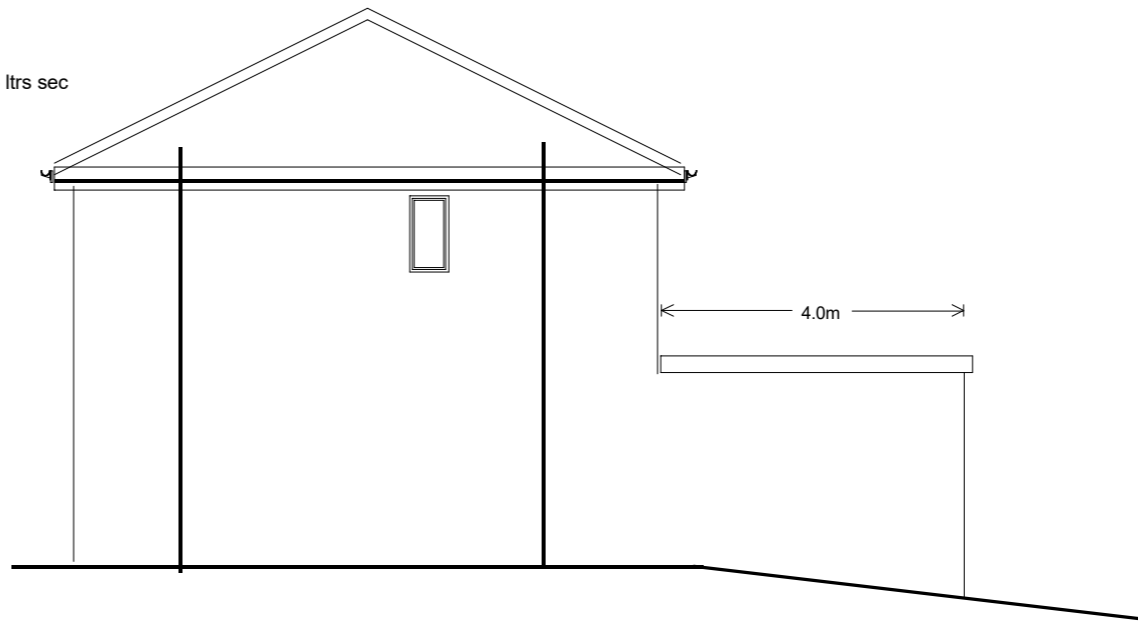
Proposed Side



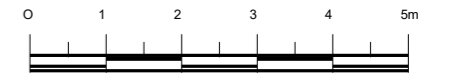
Proposed Ground Floor



Proposed First Floor



Proposed Side



Project
Proposed Flat Roof
For
19 Binsey Lane Oxford
Drawn
Pope Ingram Associates (Services & Management) 44 Campion Road Abingdon OX14 3TQ Tel: 01235 526676 Mob: 07881 408836
1 : 100
Drwg No: 3132/Prop Flat