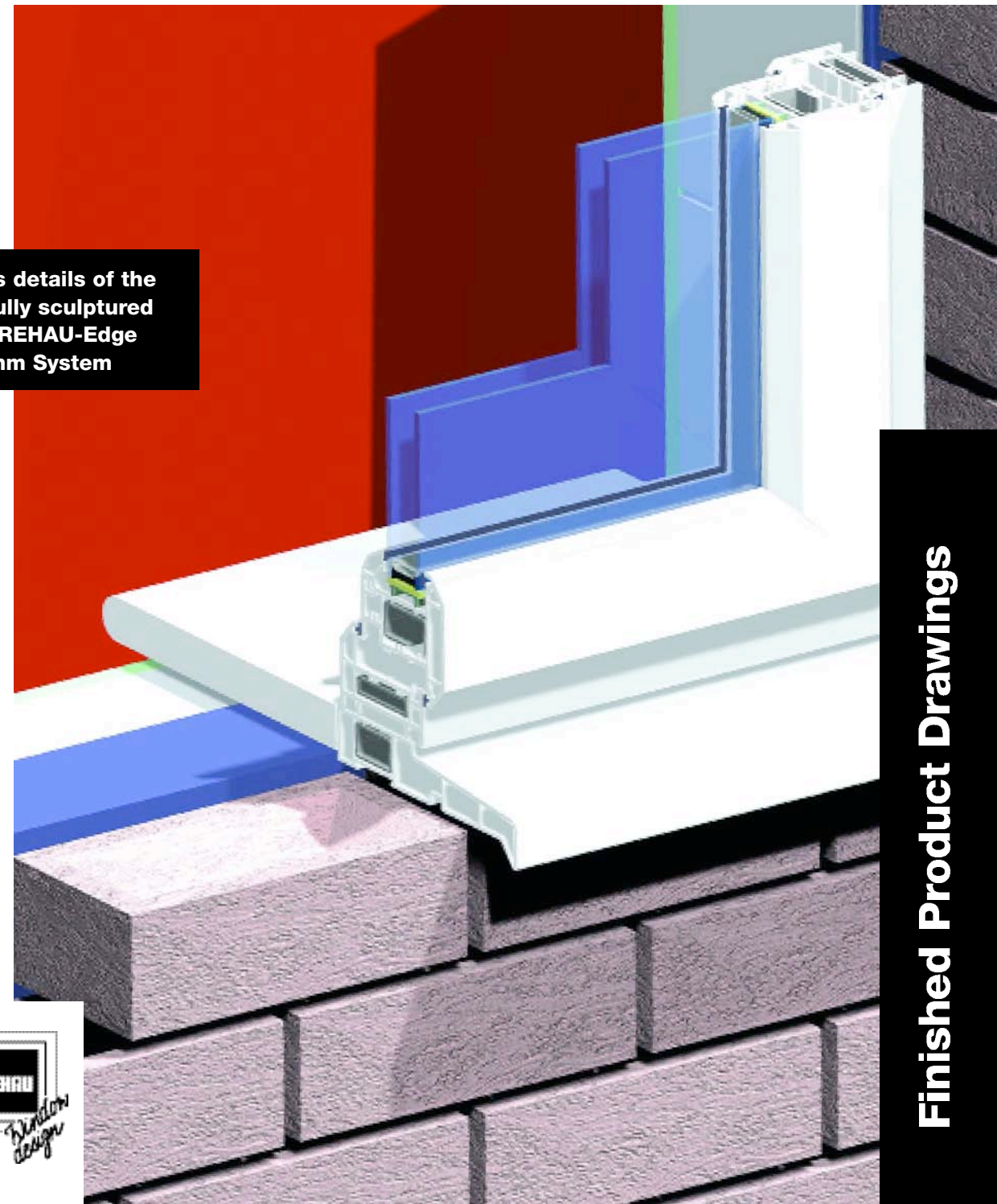


## **REHAU S706/REHAU-Edge Window and Door System**

**Includes details of the  
latest fully sculptured  
S706/REHAU-Edge  
70mm System**



**Finished Product Drawings**

Windows  
make  
houses



## REHAU S706 Window and Door System Finished Product Drawings

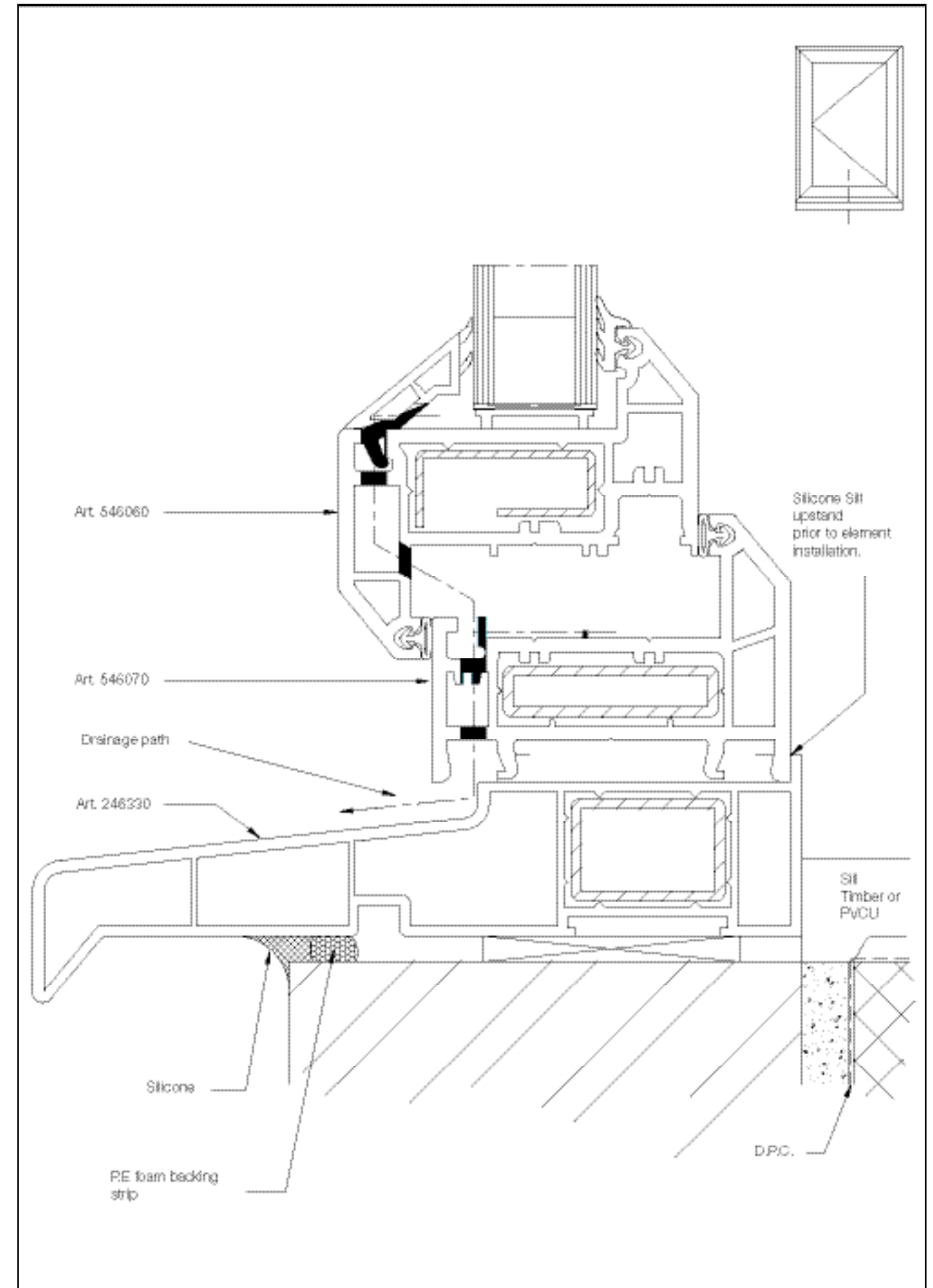
Contents	Page	Contents	Page	Contents	Page
S706/REHAU-Edge product profile details	2	Vertical section through residential door	18	Element coupling	35
Sill detail, outward opening window	3	Horizontal section tilt and turn window	19	90° Bay corner post	36
Outward opening window sill	4	Horizontal section externally beaded opening window	20	Bay connections 150° and 170° fixed angles	37
Outward opening window sill	5	Slim outer frame fixed light	21	Bay connections variable angle baypole saddles	38
Concrete sill detail, outward opening externally beaded window	6	Outward opening externally beaded window, sash and frame	22	Bay connections 120° to 135° angles	39
Concrete sill detail, outward opening internally beaded window	7	Outward opening externally beaded window, transom	23	Bay connections 135° fixed angle	40
Head detail, outward opening externally beaded window	8	Slim transom detail, outward opening externally beaded windows	24	Inward opening residential door low threshold	41
Head detail, outward opening internally beaded window	9	Window outward opening sash/frame internally beaded	25	Outward opening residential door low threshold	42
Jamb detail, outward opening externally beaded window	10	Outward opening window, transom	26	Inward opening residential door low threshold	43
Jamb detail, outward opening externally beaded window	11	Outward opening internally beaded window	27	Outward opening residential door low threshold	44
Jamb detail, outward opening internally beaded window	12	Universal frame tilt and turn sash	28	Tilt and slide patio doors	45
Reveal lining, outward opening externally beaded window	13	Residential door	29	Condensation bead for single glazing	46
Reveal lining, outward opening externally beaded window	14	French door	30	Bay pole solution, details at sill and head	47
Replacement details tilt and turn window box retained	15	15mm Frame extension	31	Bay pole solution, details at sill and head	48
Replacement details tilt and turn window box removed	16	Element coupling	32		
Tilt/turn window, timber frame construction	17	Element coupling	33		
		Element coupling	34		

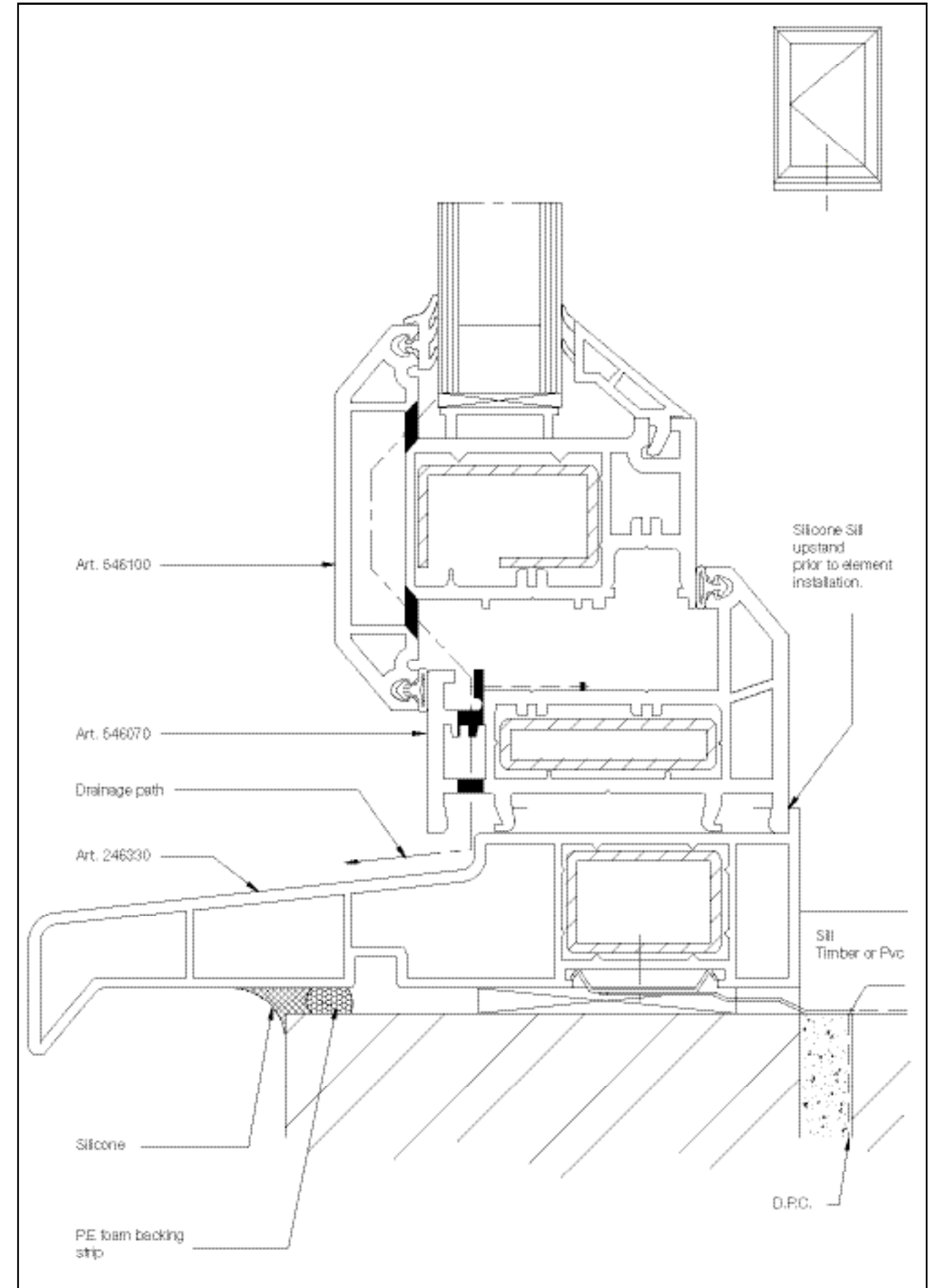
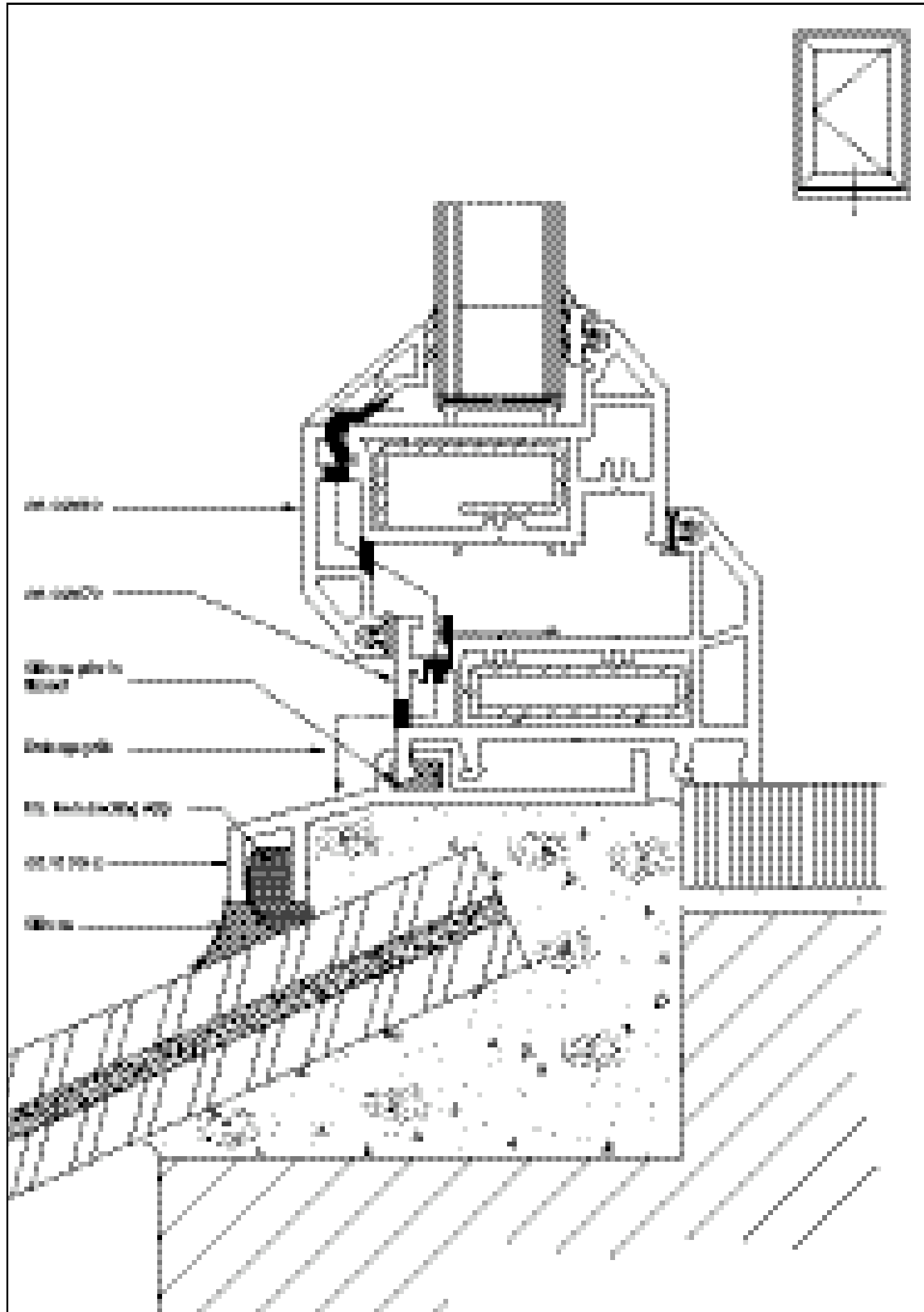
### S706/REHAU-Edge Product Profile Details

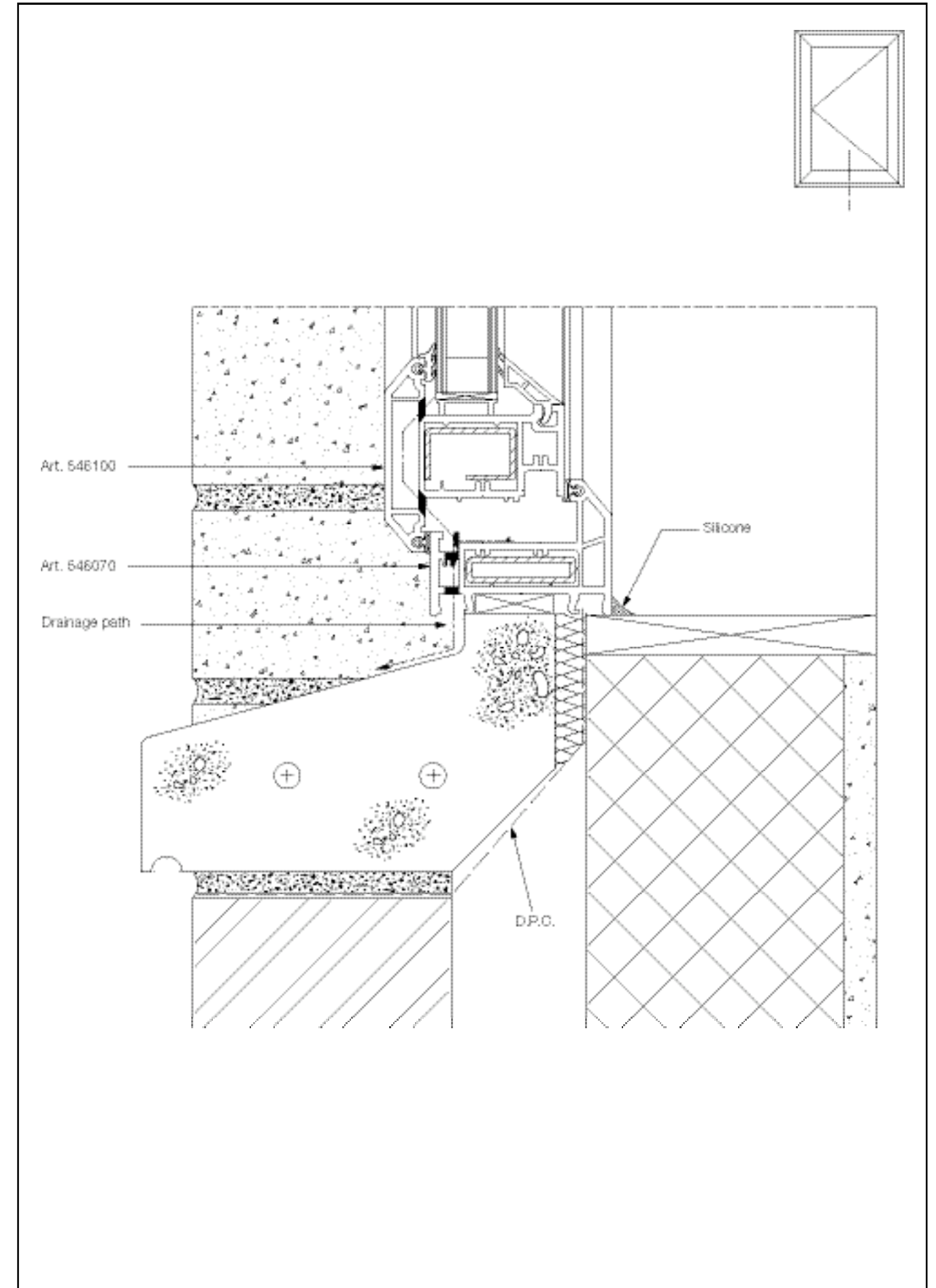
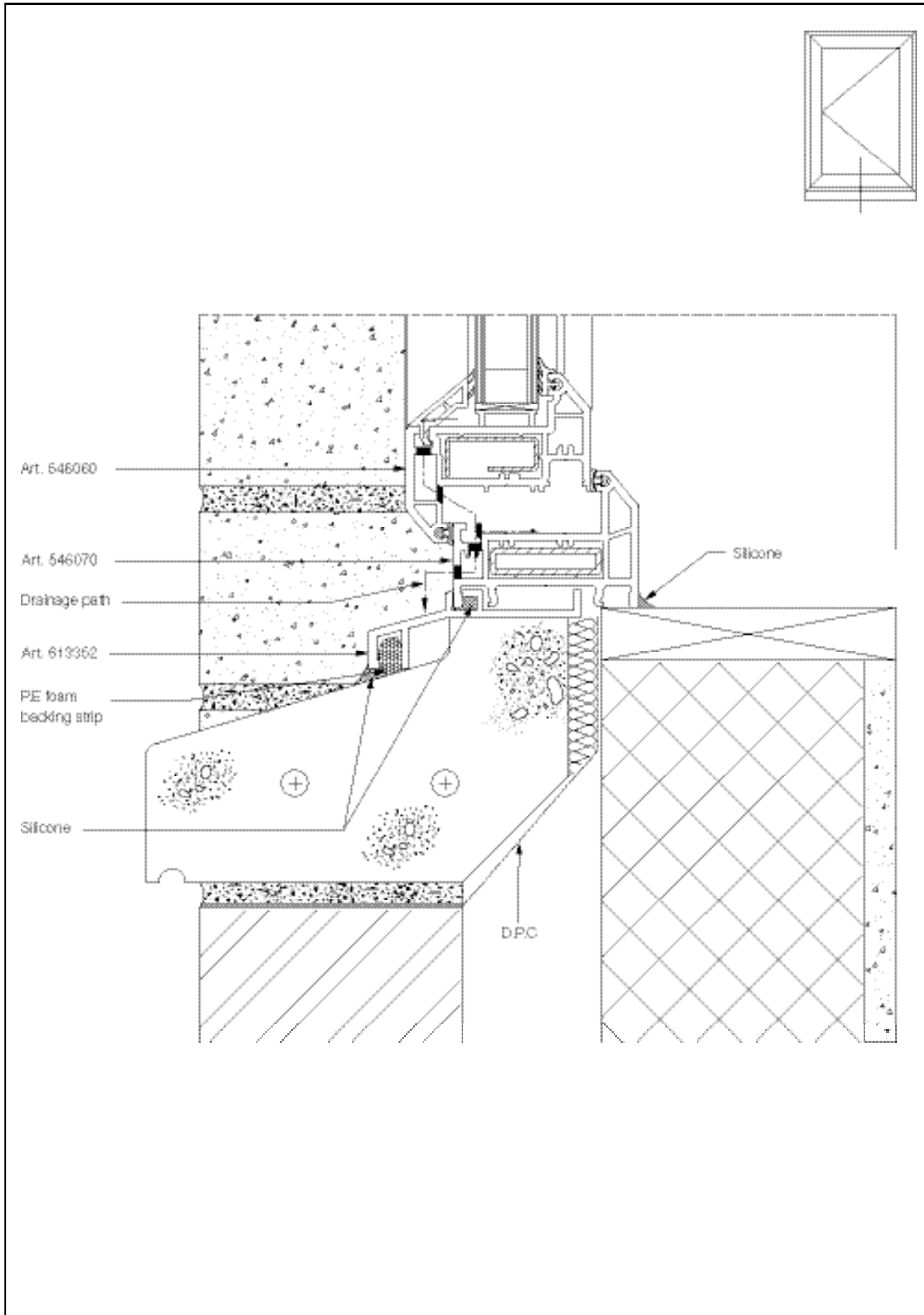
Throughout the guide chamfered article numbers are illustrated in a majority of drawings. The table below indicates the equivalent chamfered and sculptured profiles with and without integral gasket (IG).

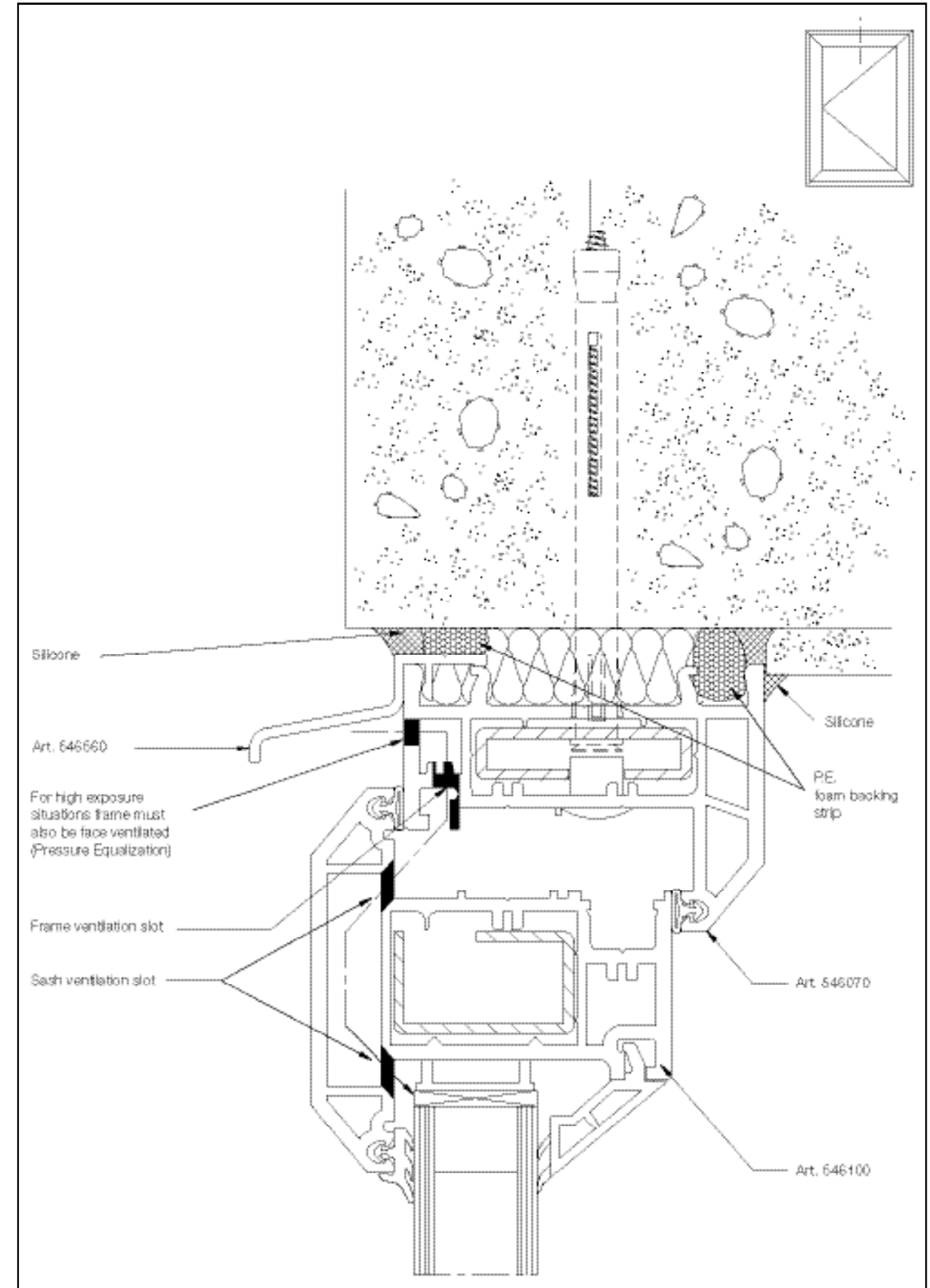
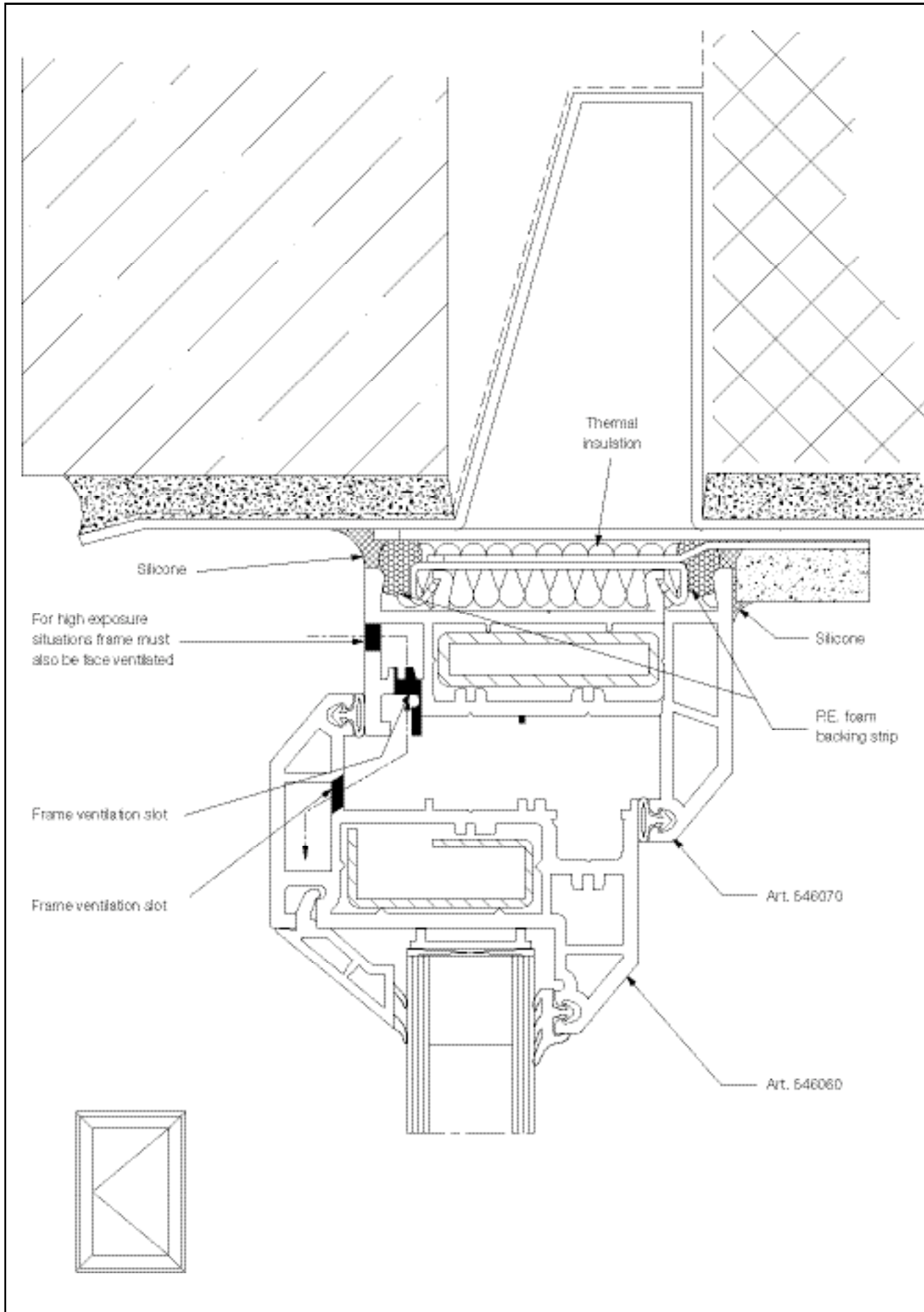
S706 AND S706 REHAU-Edge		COMPARISON OF ARTICLES/WHITE PROFILES ONLY			
Product Description		S706 Chamfered		REHAU-Edge Sculptured	
		Without IG	With IG	Without IG	With IG
Frames	52mm Frame	546070	546075	546640	546645
	62mm Frame	546600	546605	-	-
	72mm Frame	546180	546185	546650	546655
Transom/Mullion	69mm Slim T Transom/Mullion	546080	546085	546660	546665
	69mm Slim Z Transom/Mullion	546090	546095	546670	546675
	82mm Large T Transom/Mullion	546470	546475	-	-
	82mm Large Z Transom/Mullion	546460	546465	-	-
	120mm Extra Large T Transom/Mullion	-	-	546700	546705
Window Sashes	75mm Casement T Sash (Chamfered)	546100	546106	-	-
	(Chamfered/ Sculptured)	546580	546586	546680	546685
	64.5mm Casement Z Sash	546060	546066	-	-
	70mm Tilt and Turn Sash	546160	546166	546690	546695
Door Sashes	105.5mm Z Door Sash	546210	546625 (replaces 546216)	546710	546715
	105.5mm T Door Sash	546220	546635 (replaces 546226)	546720	546725

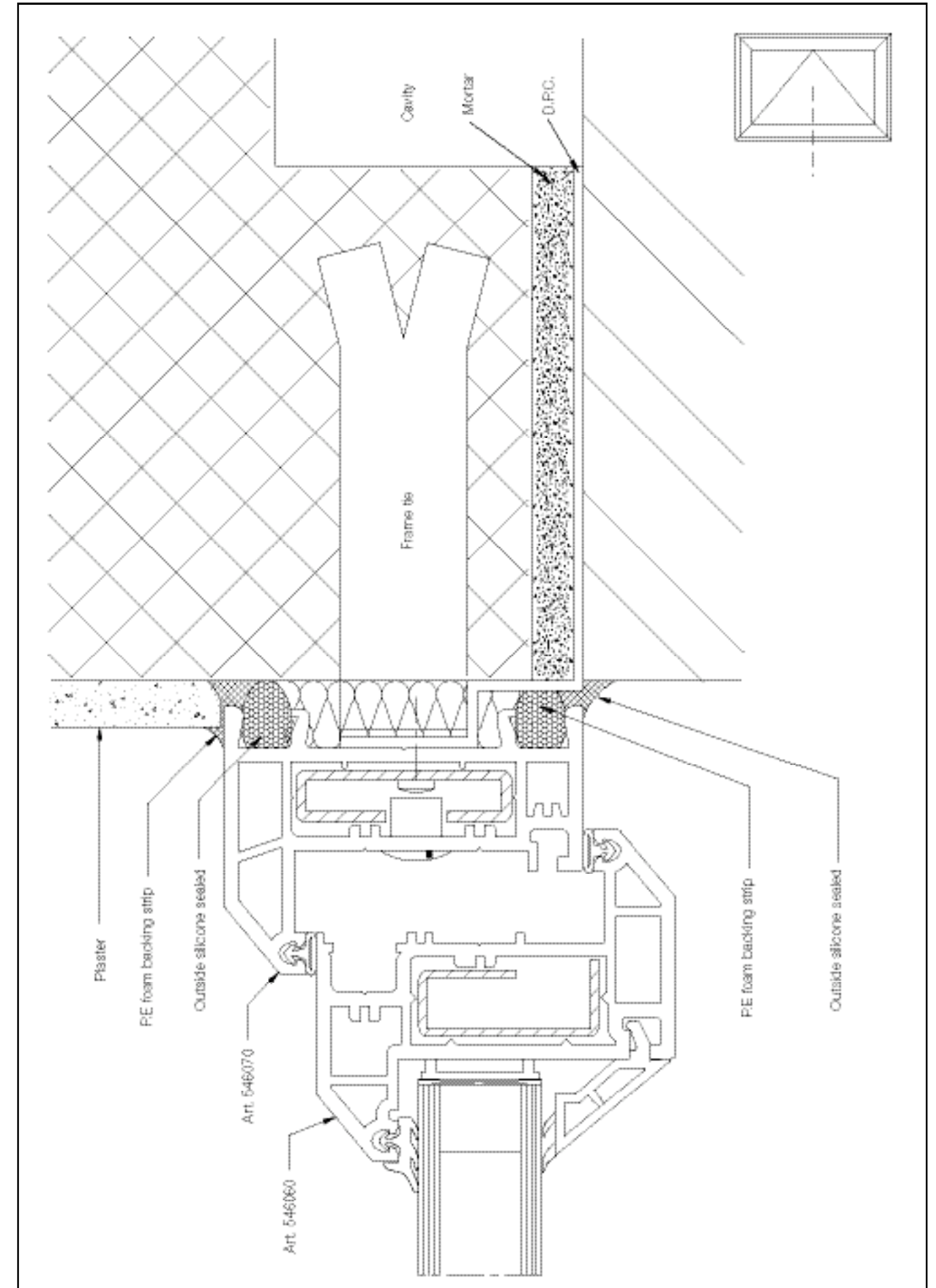
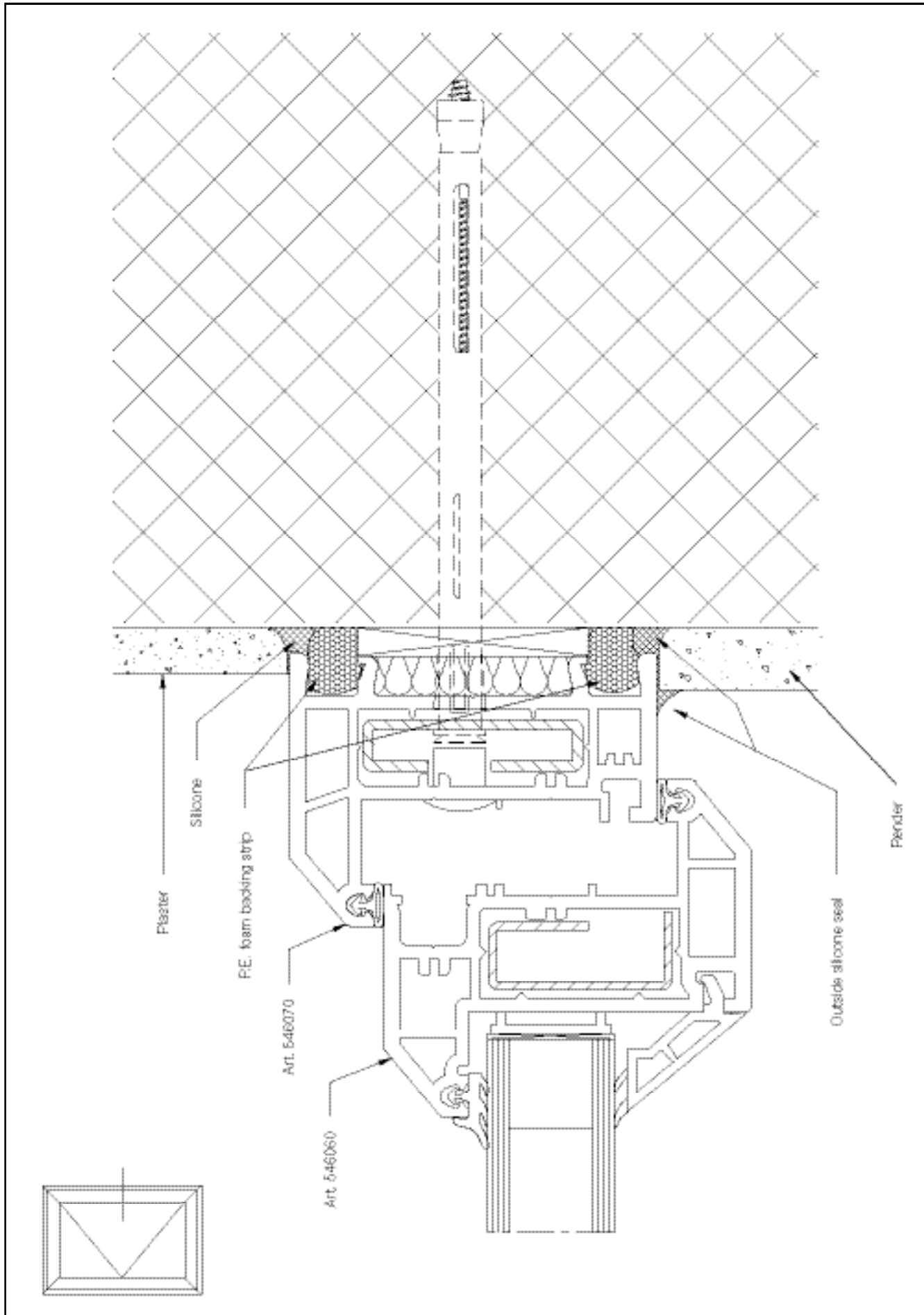
\* Please note that if you require any additional drawings please contact your local Sales Office.

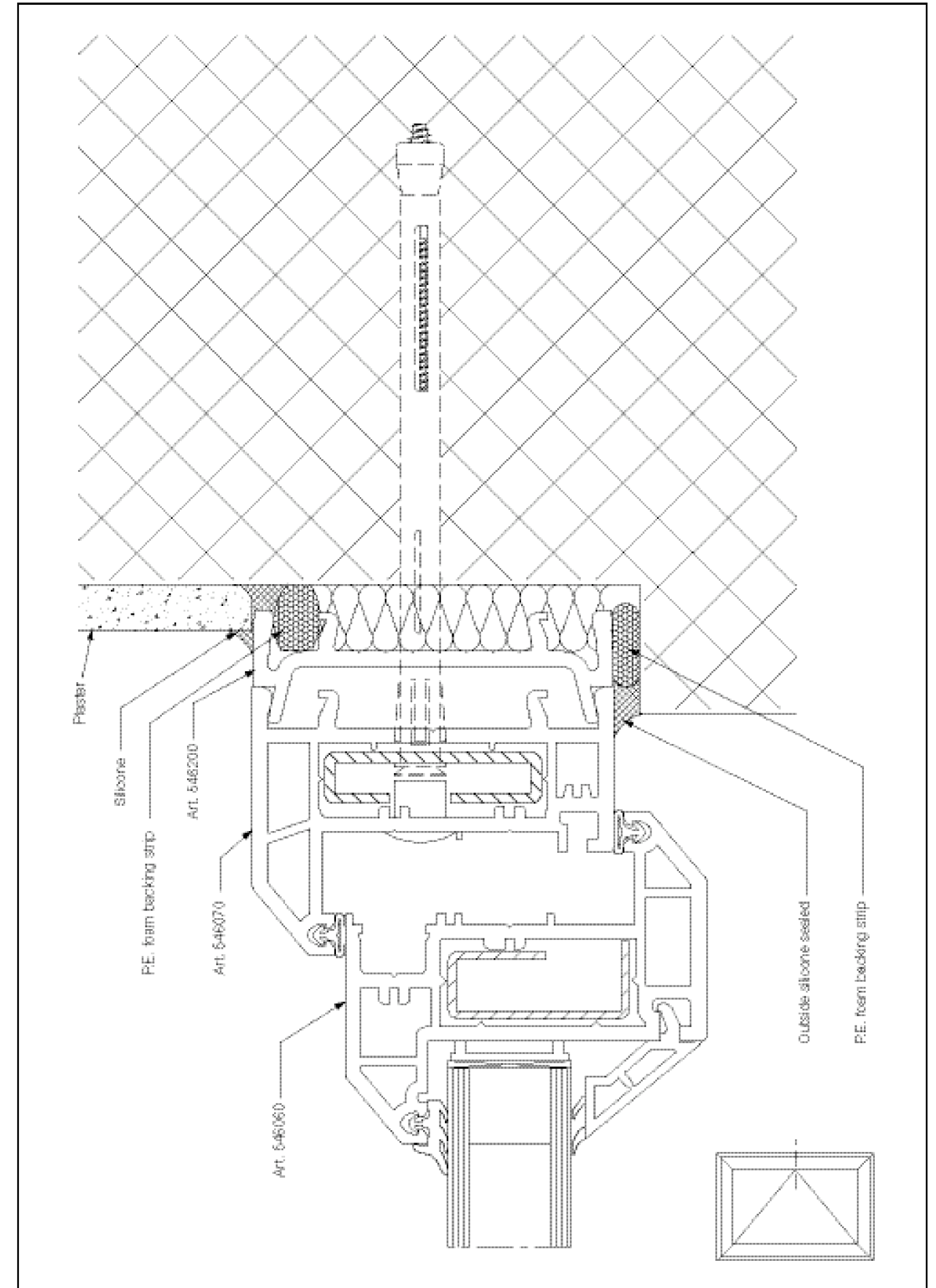
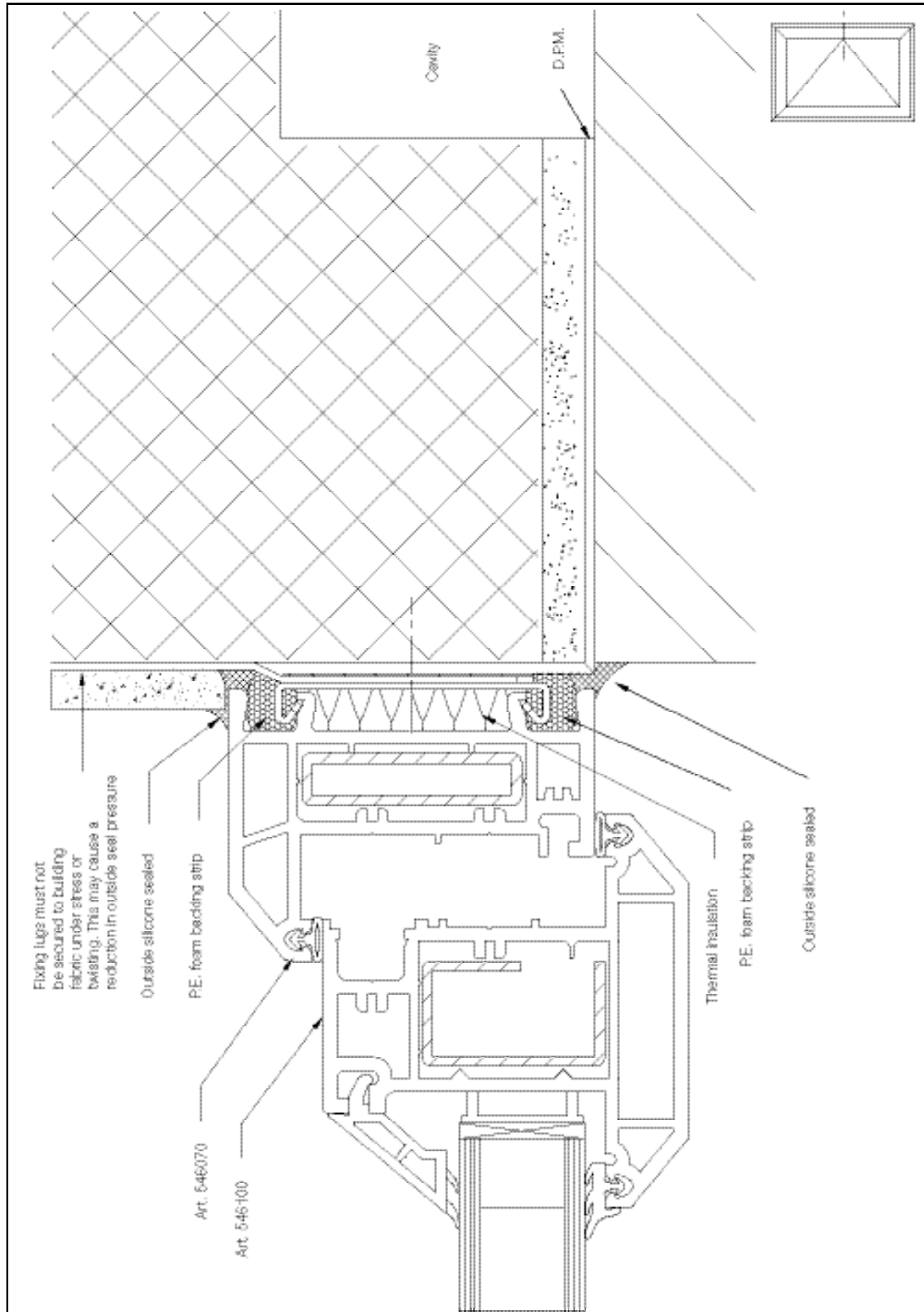




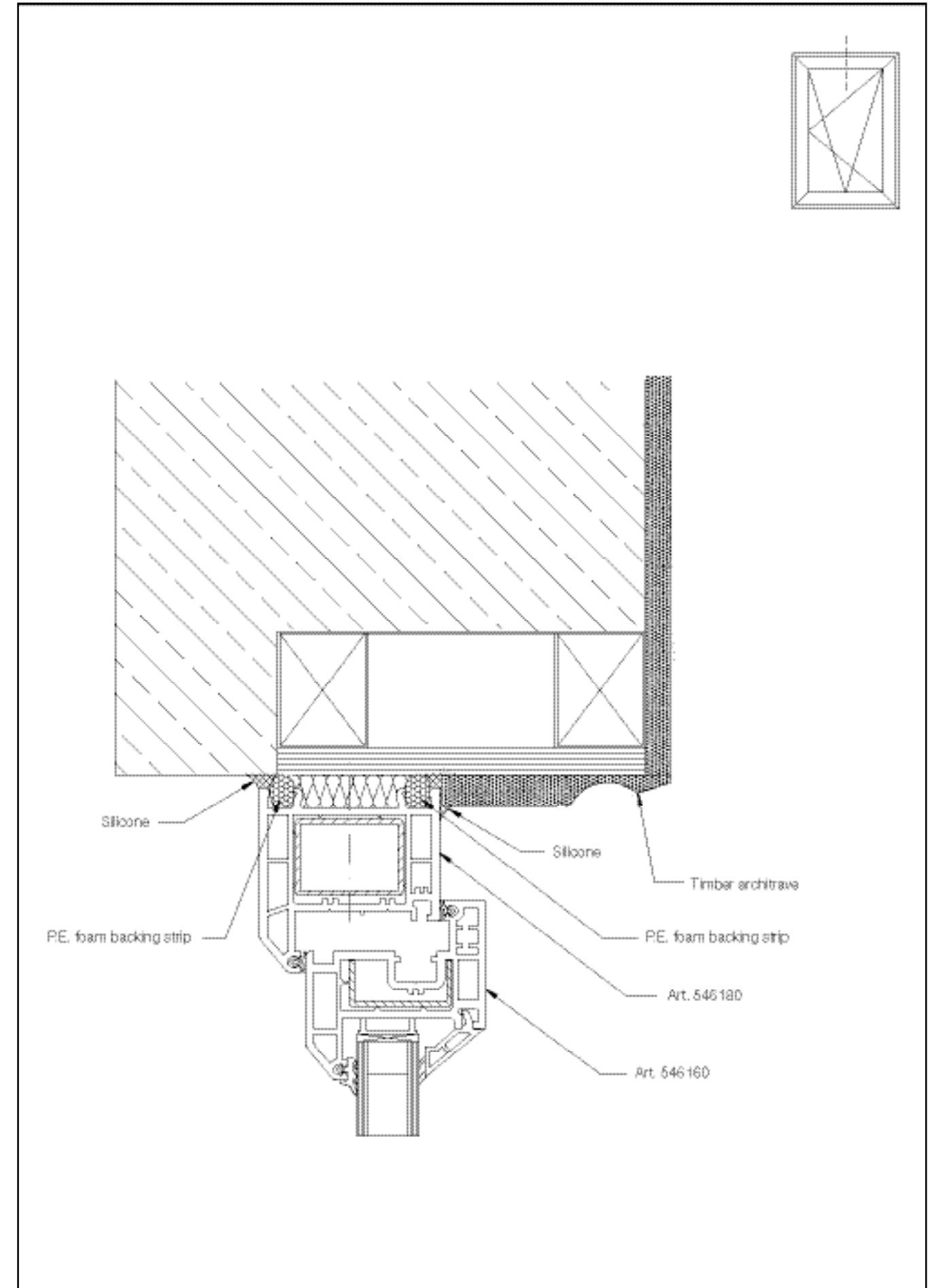
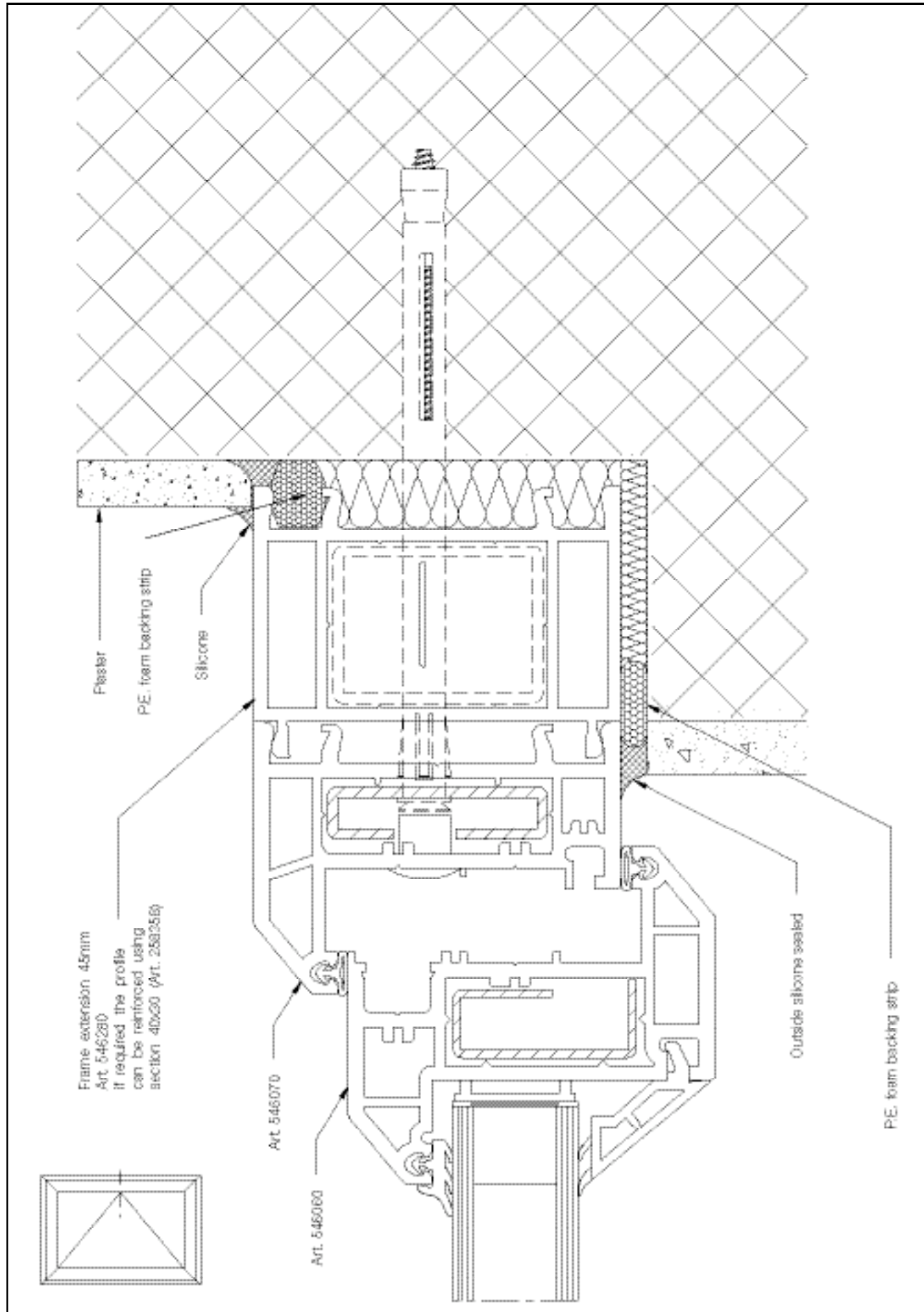


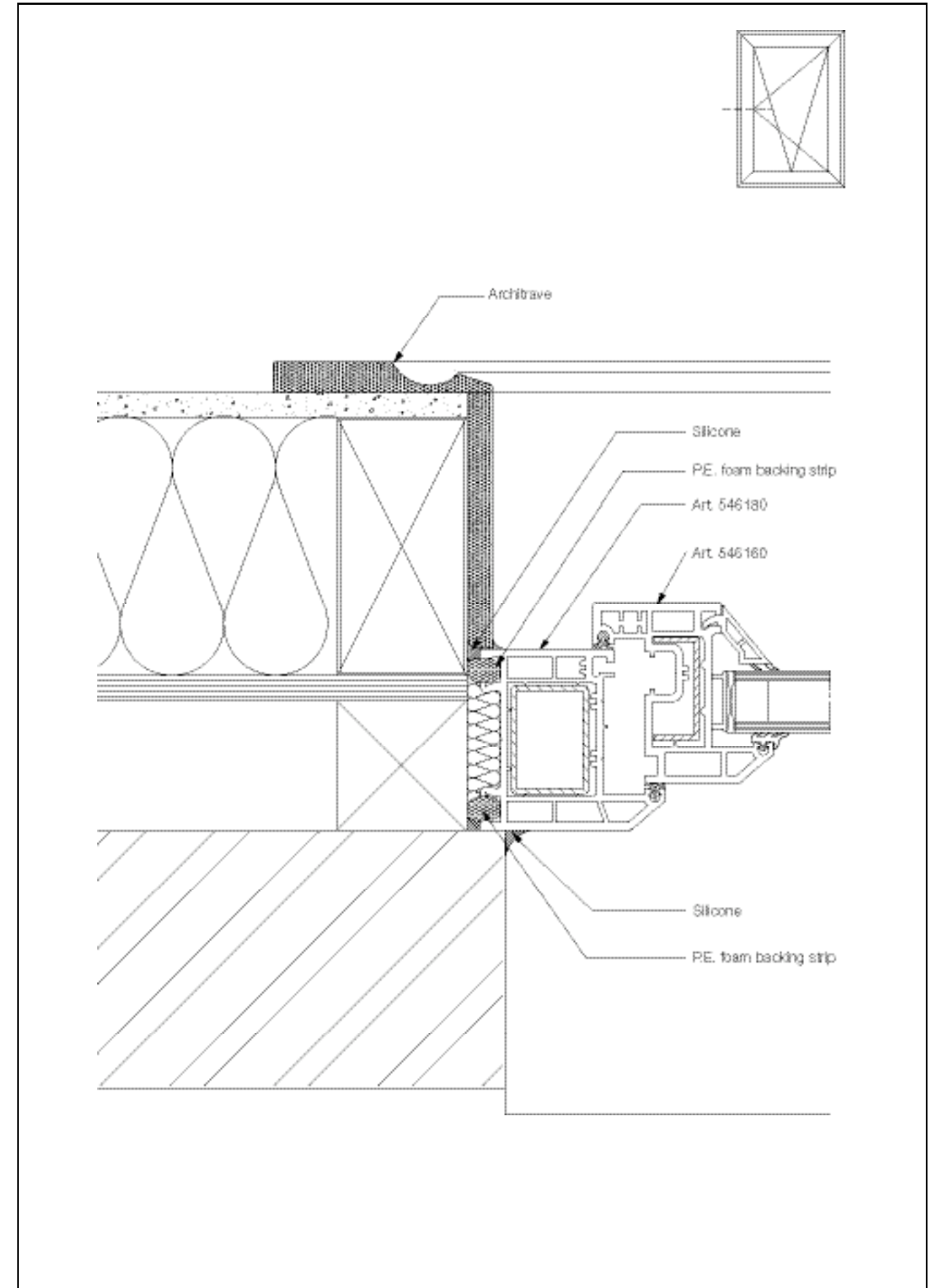
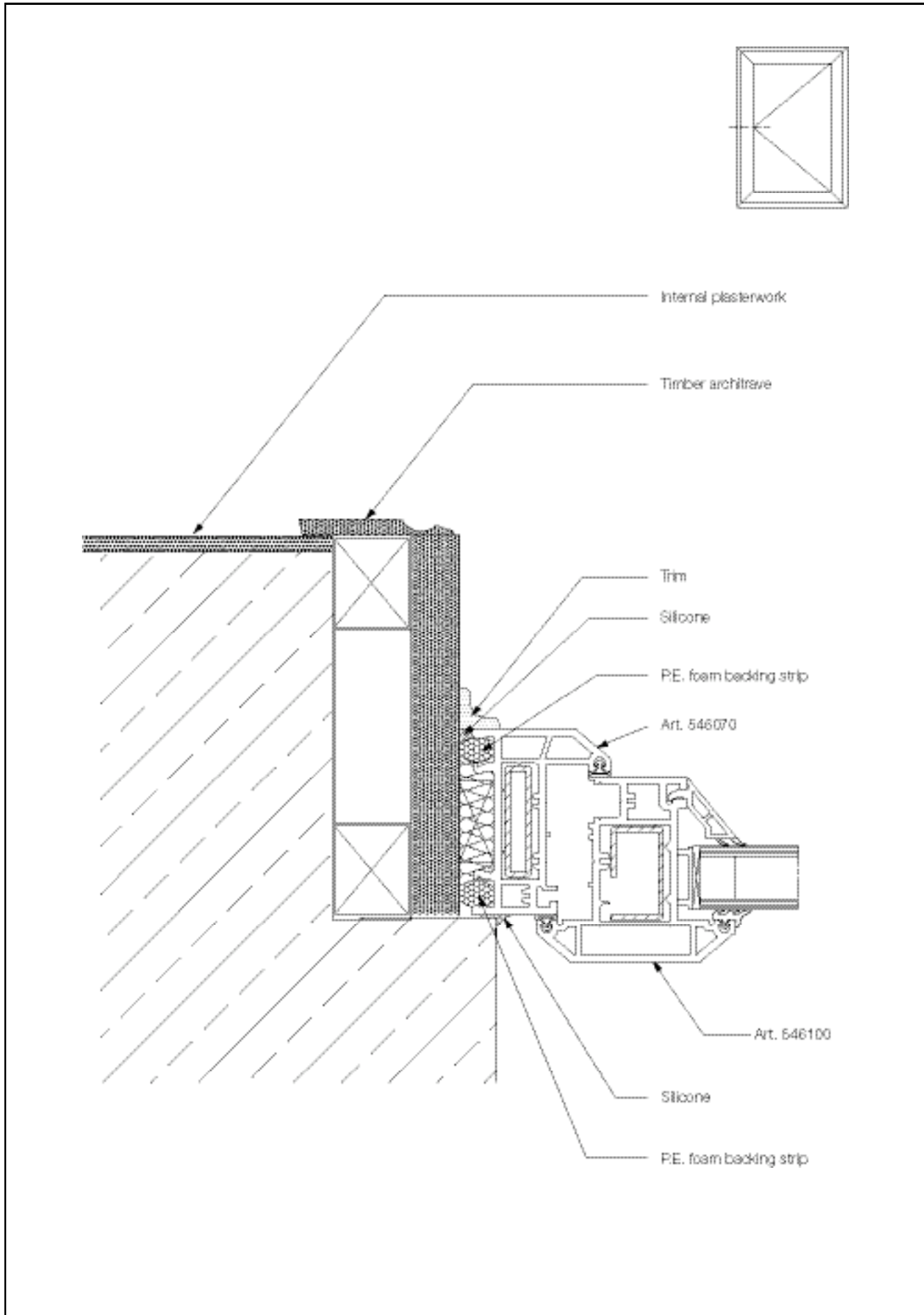


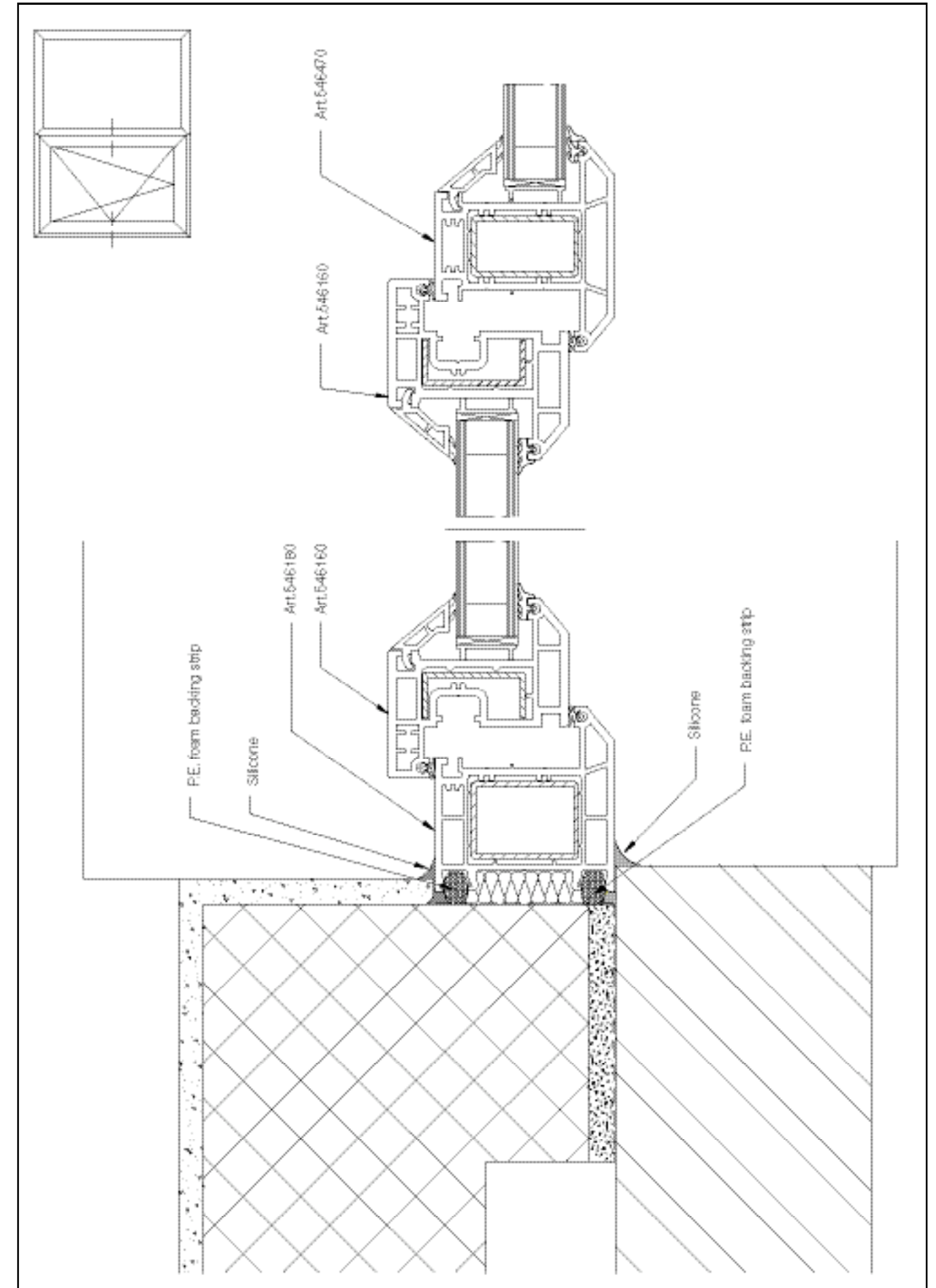
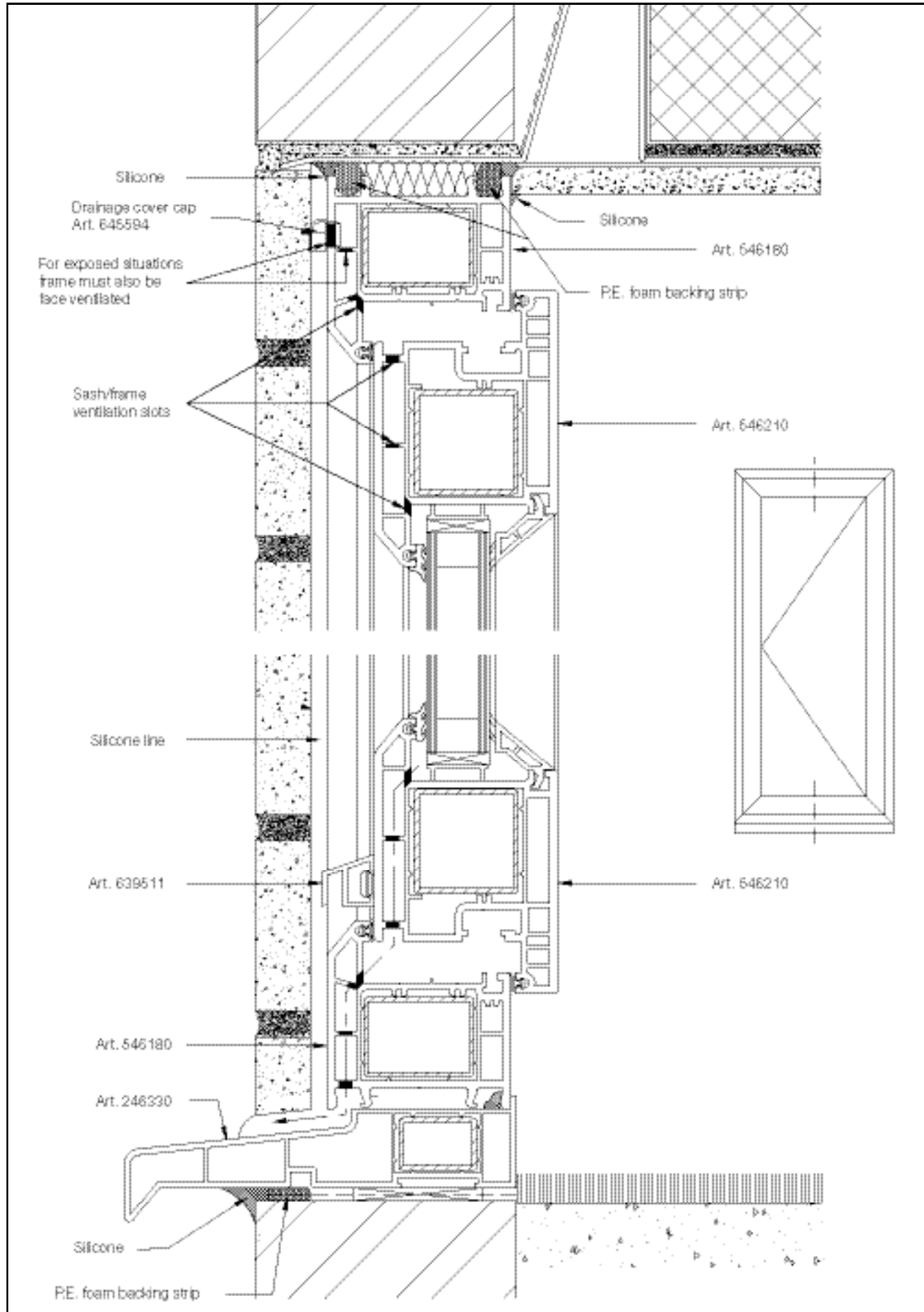


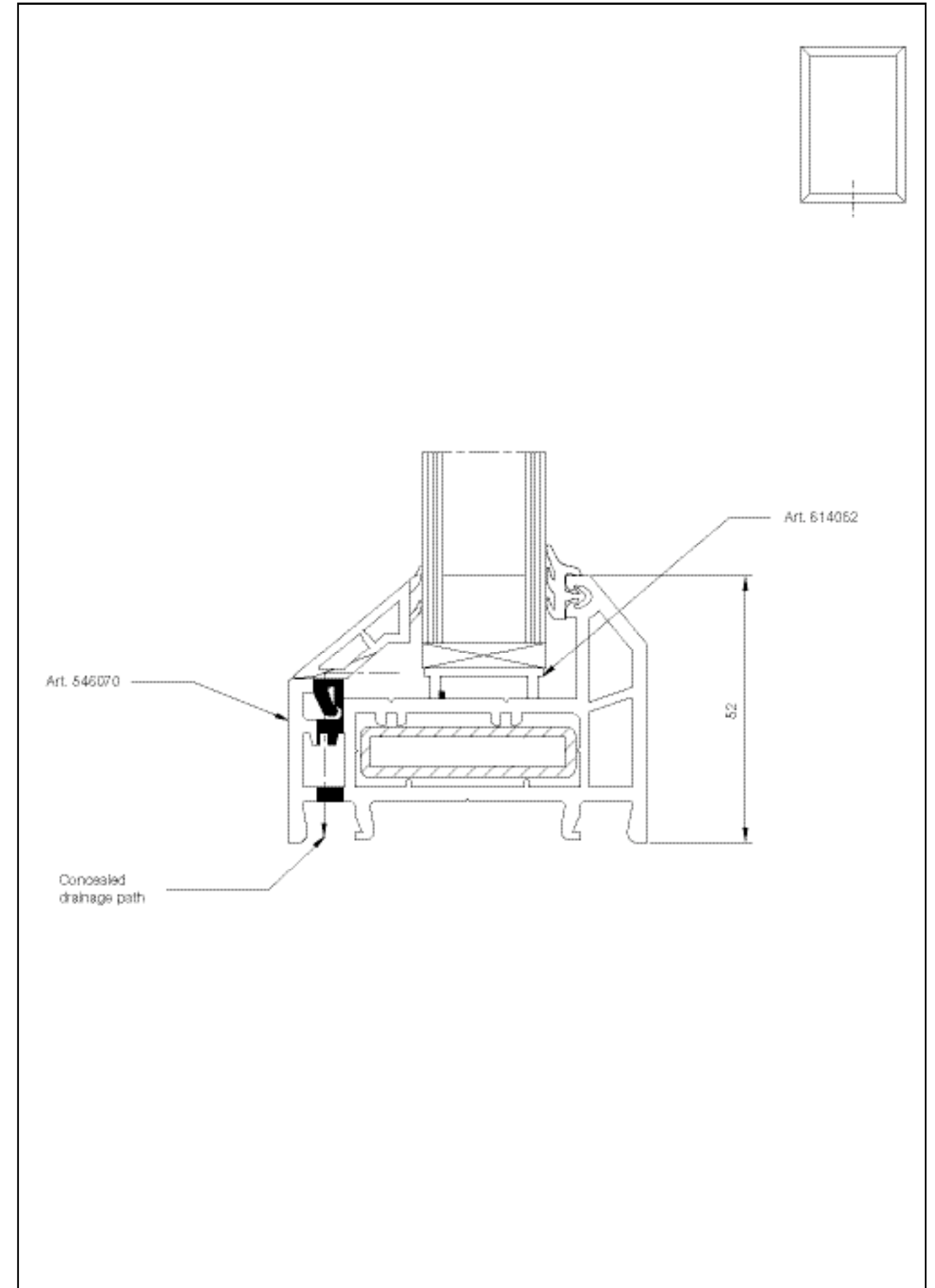
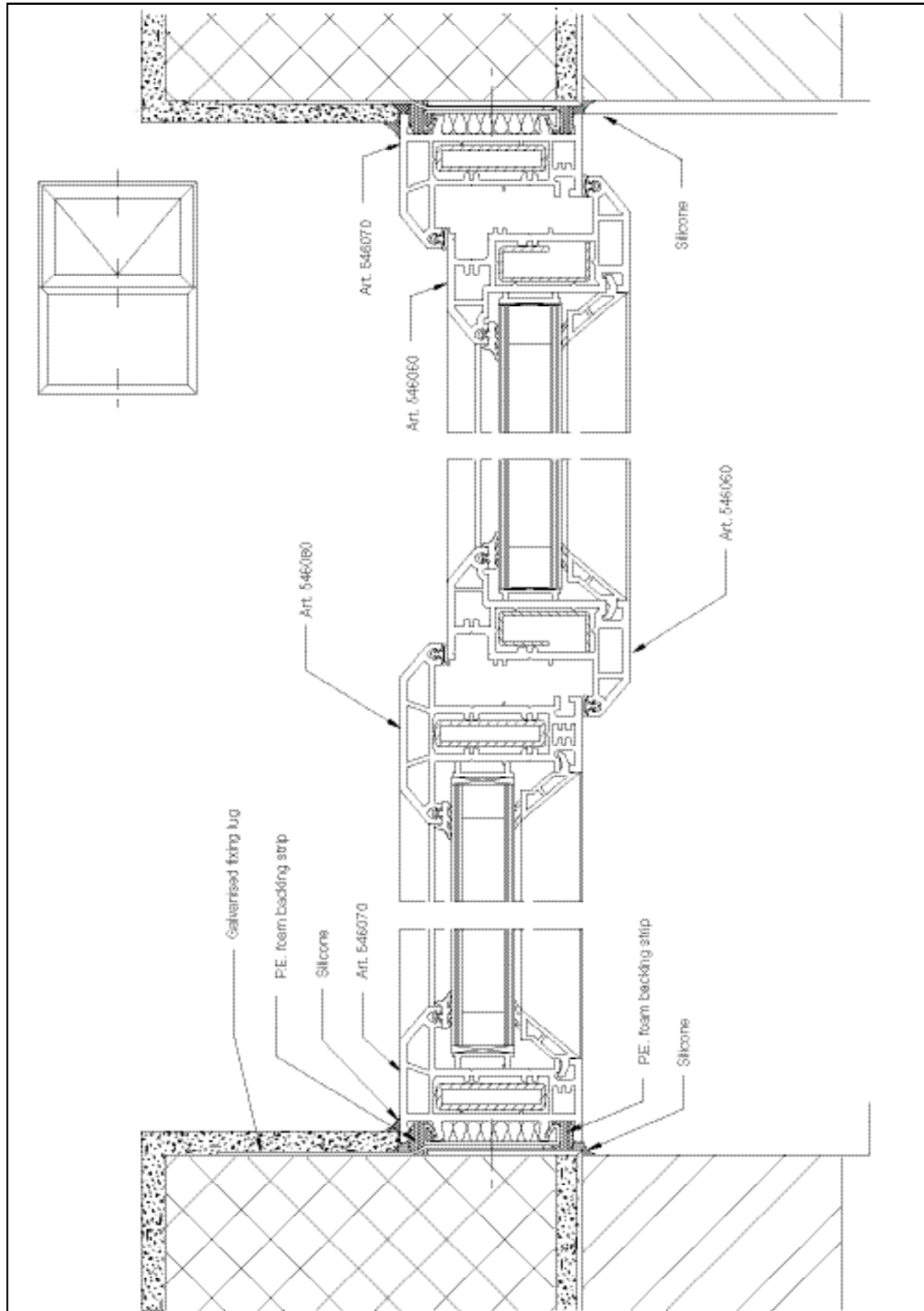


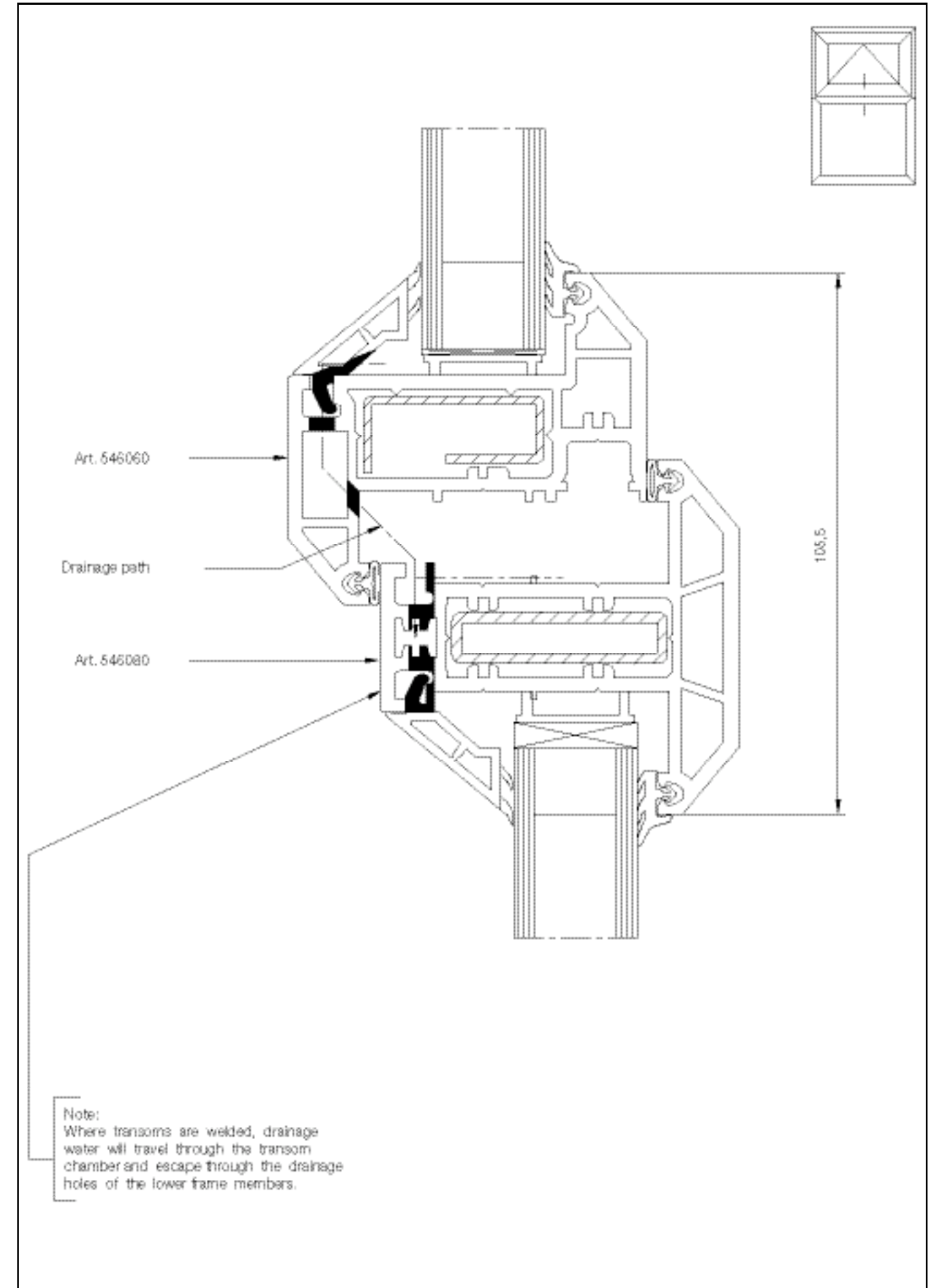
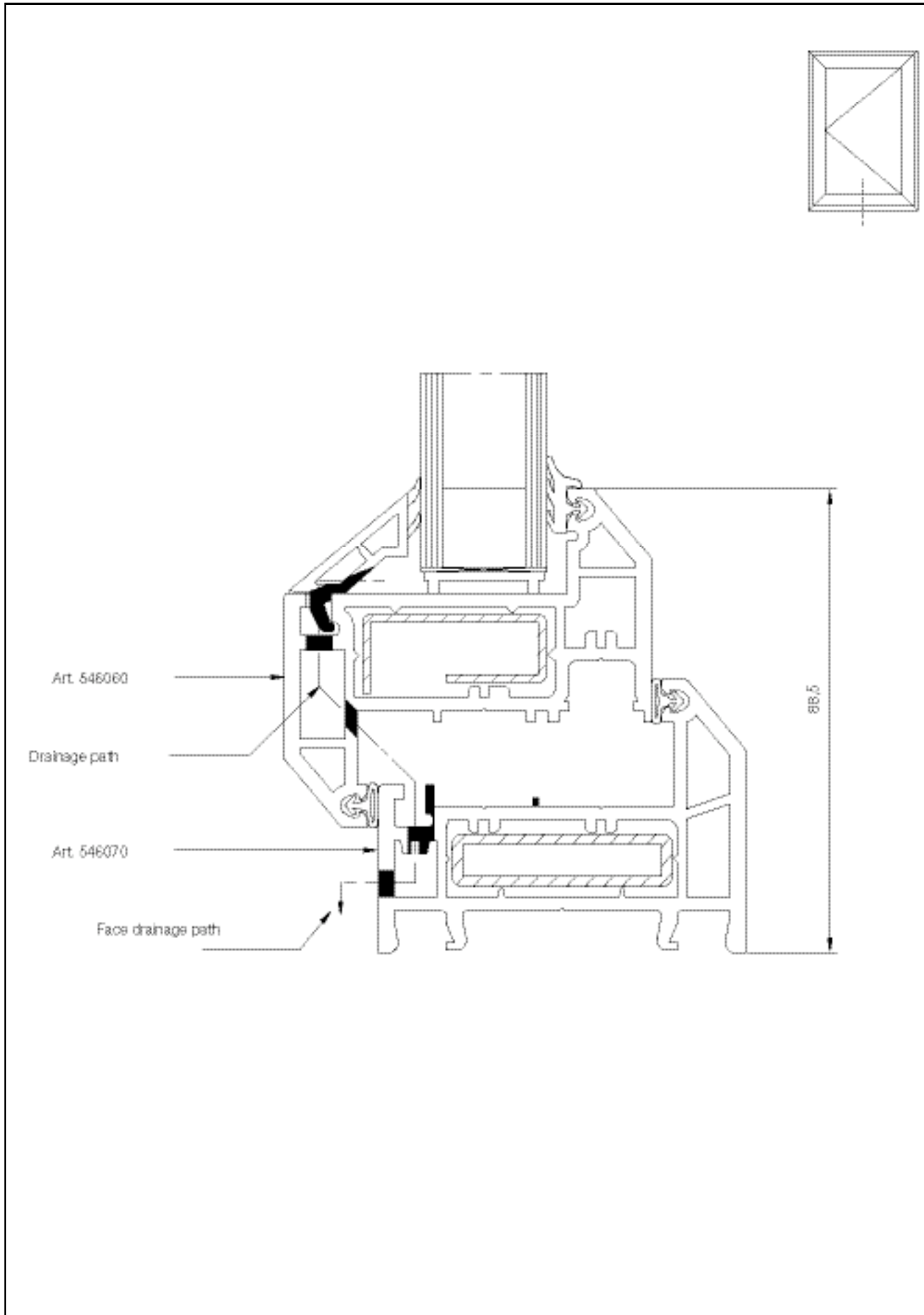




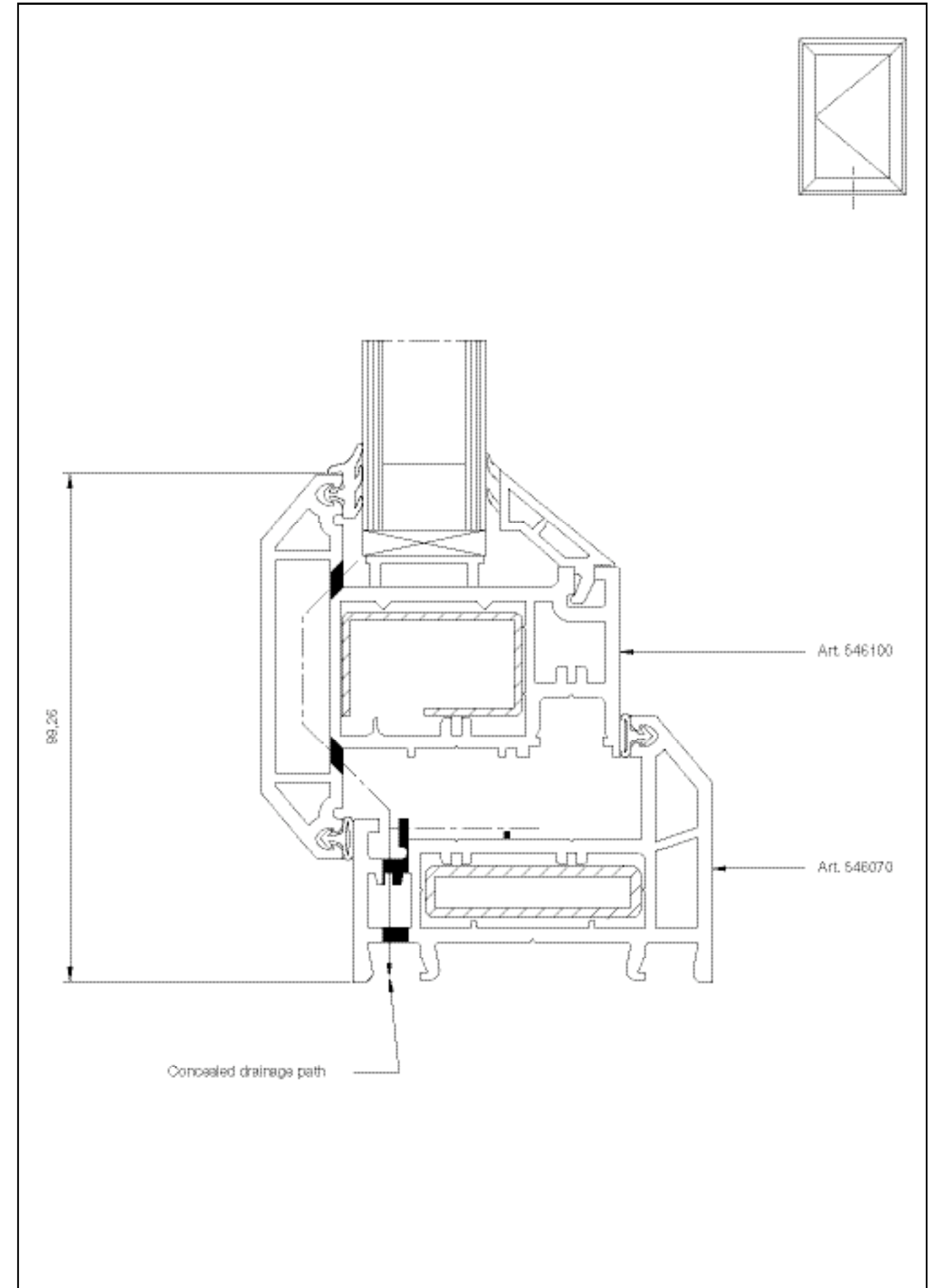
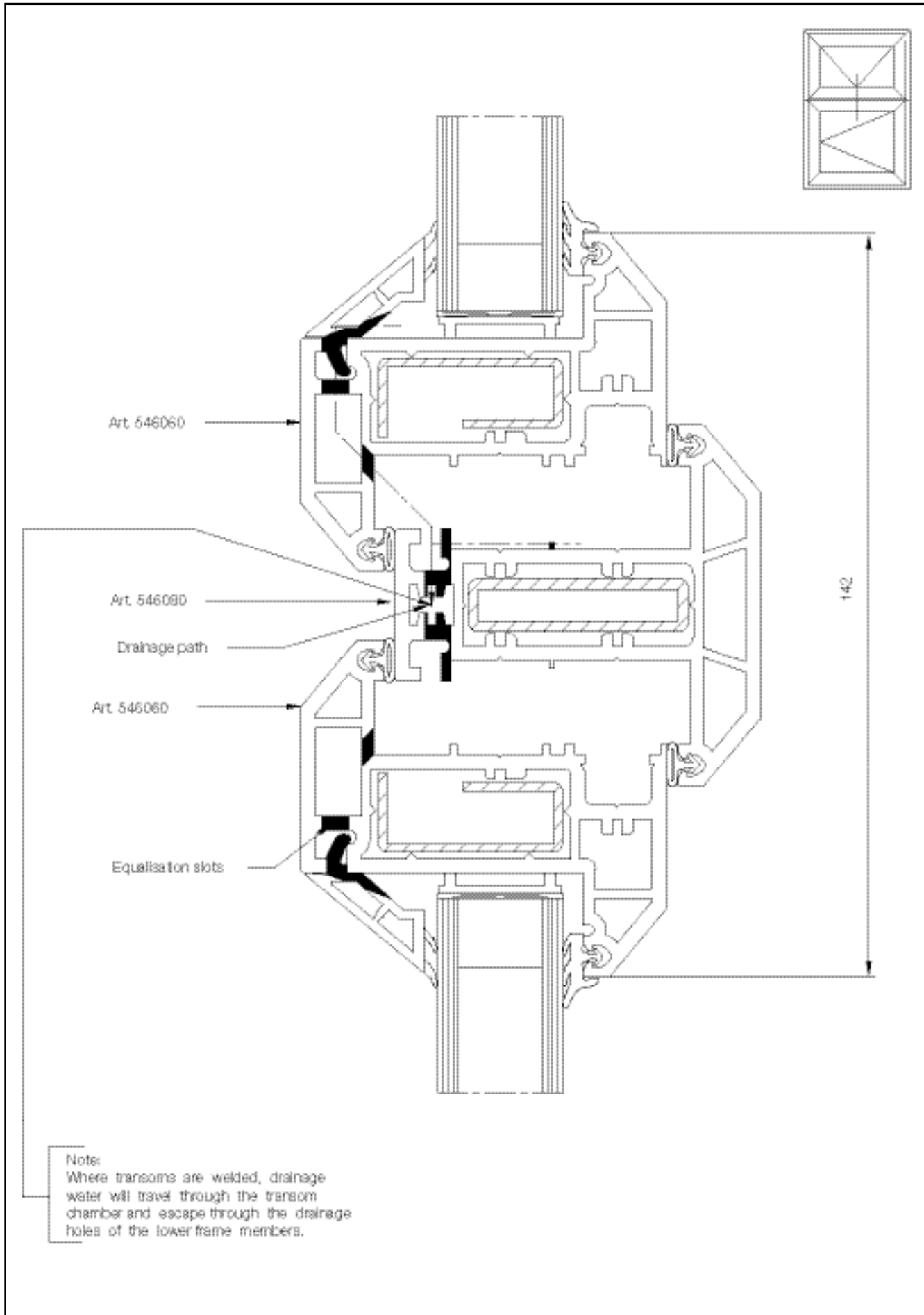


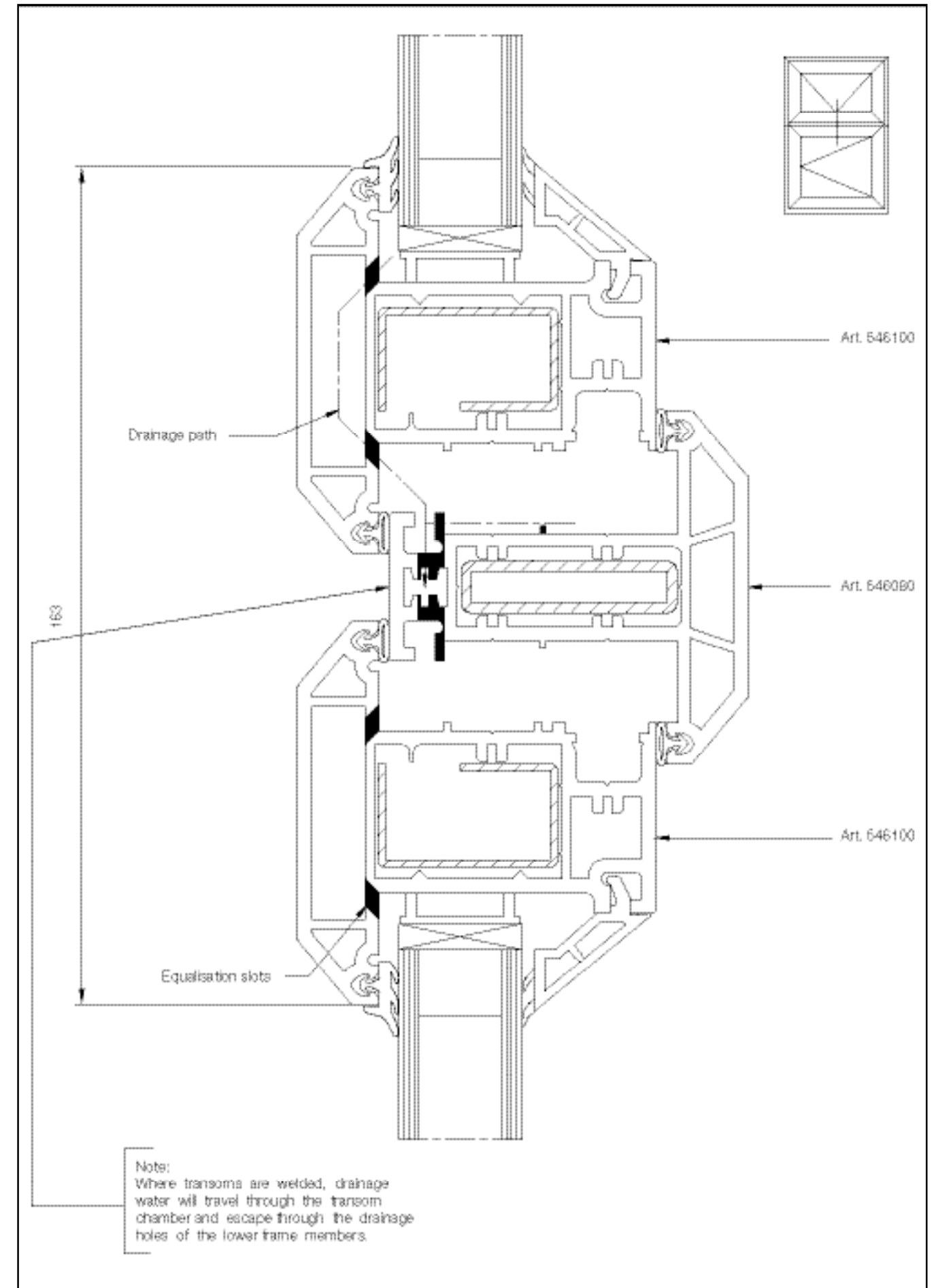
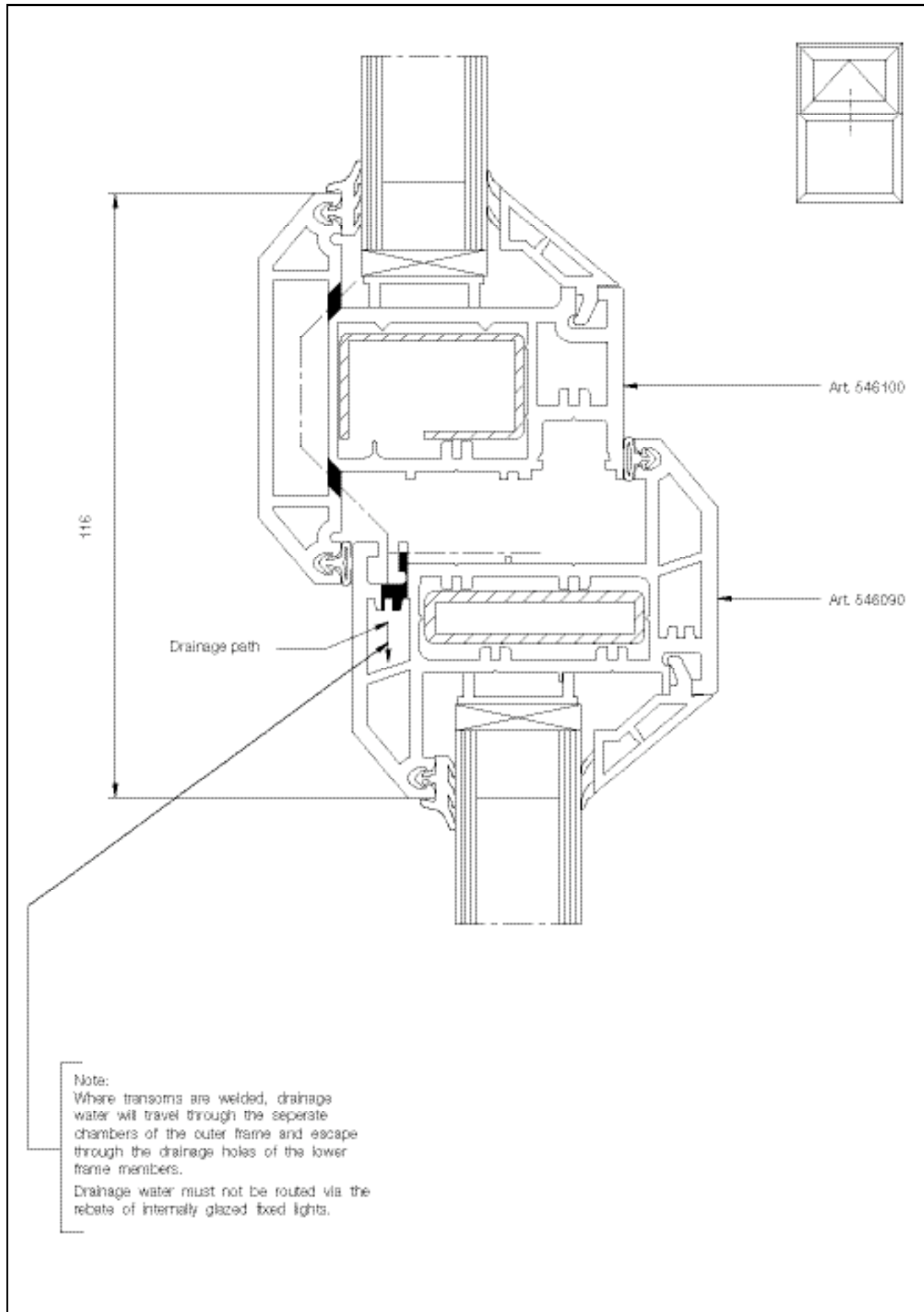


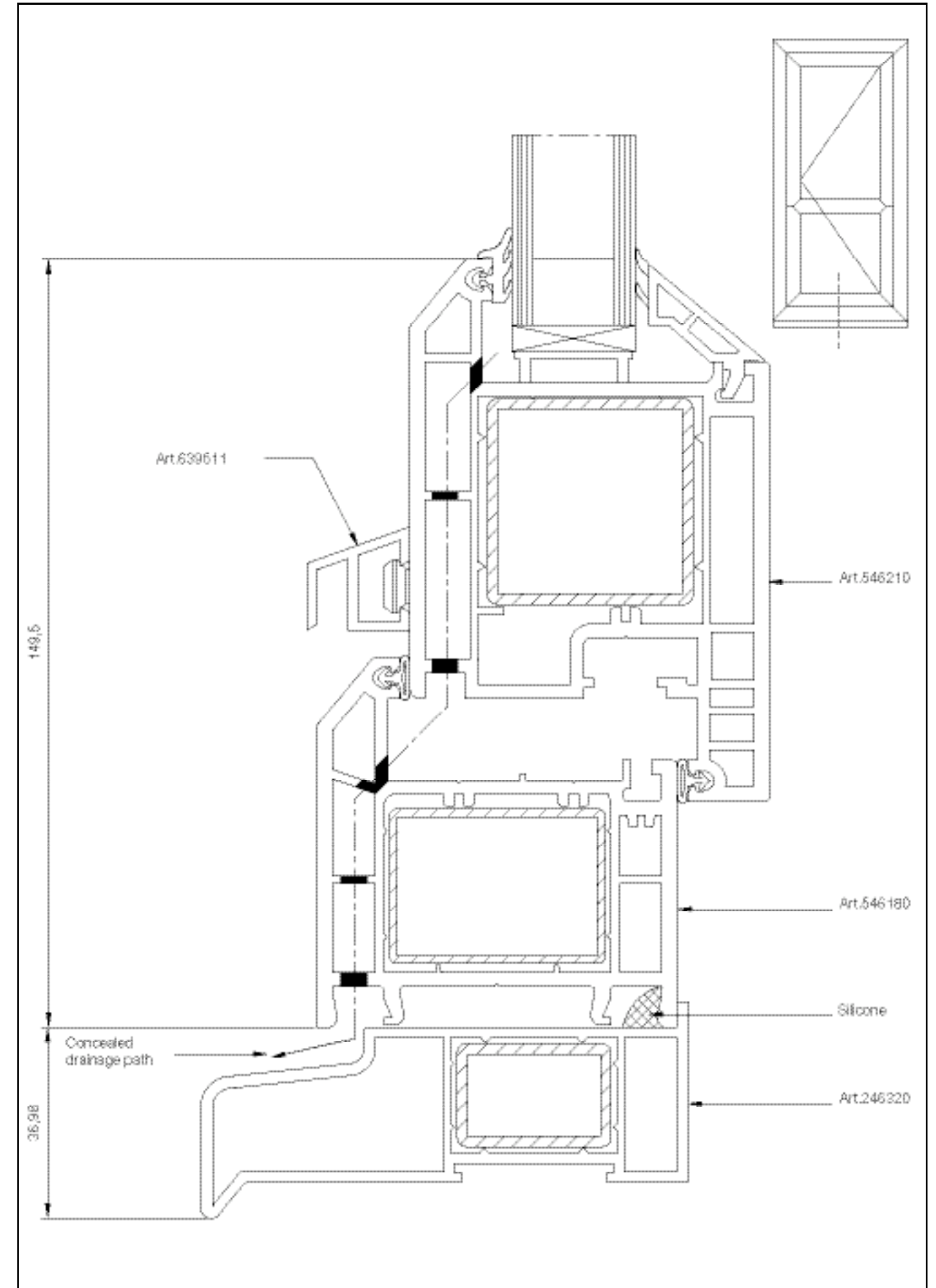
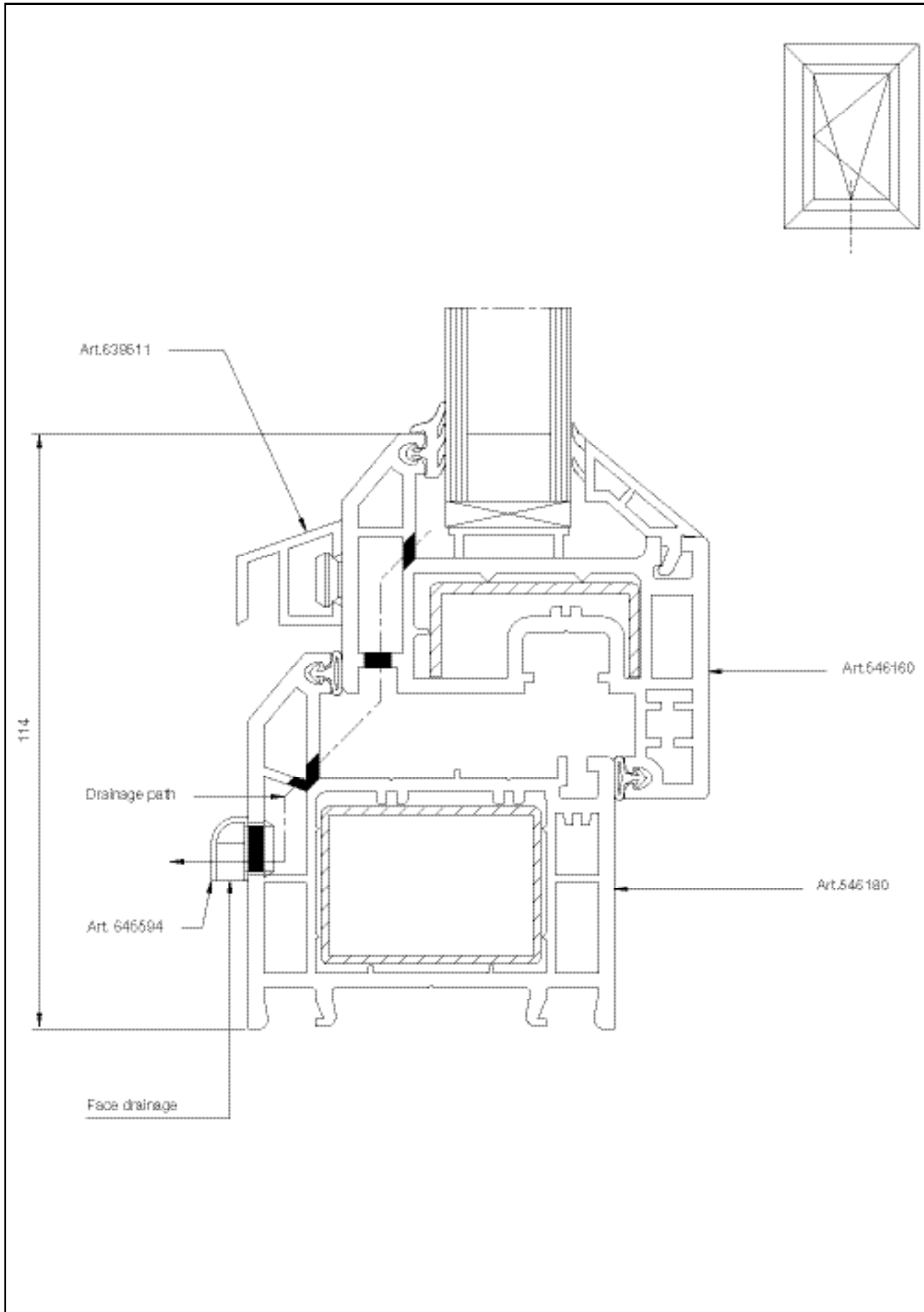




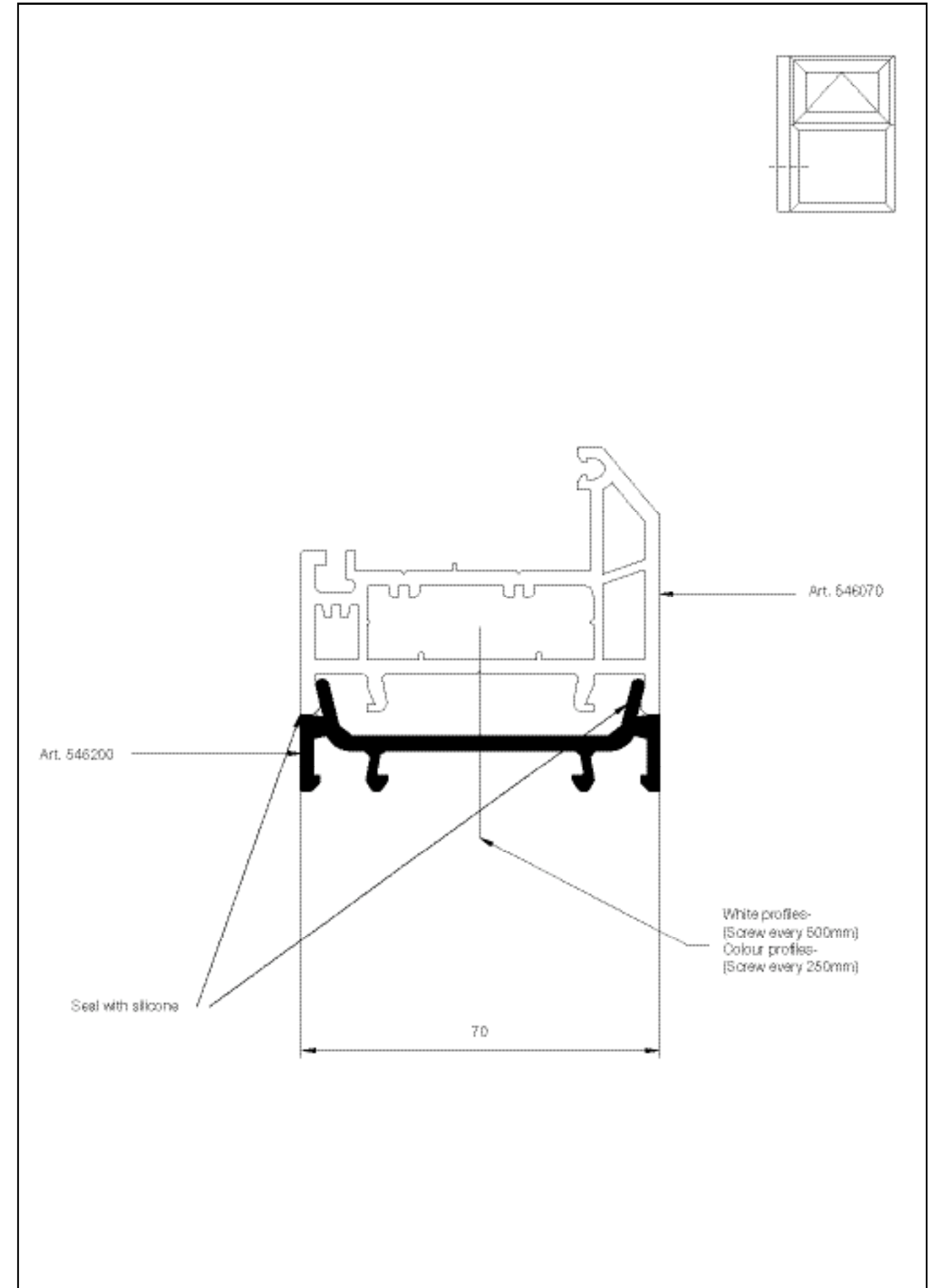
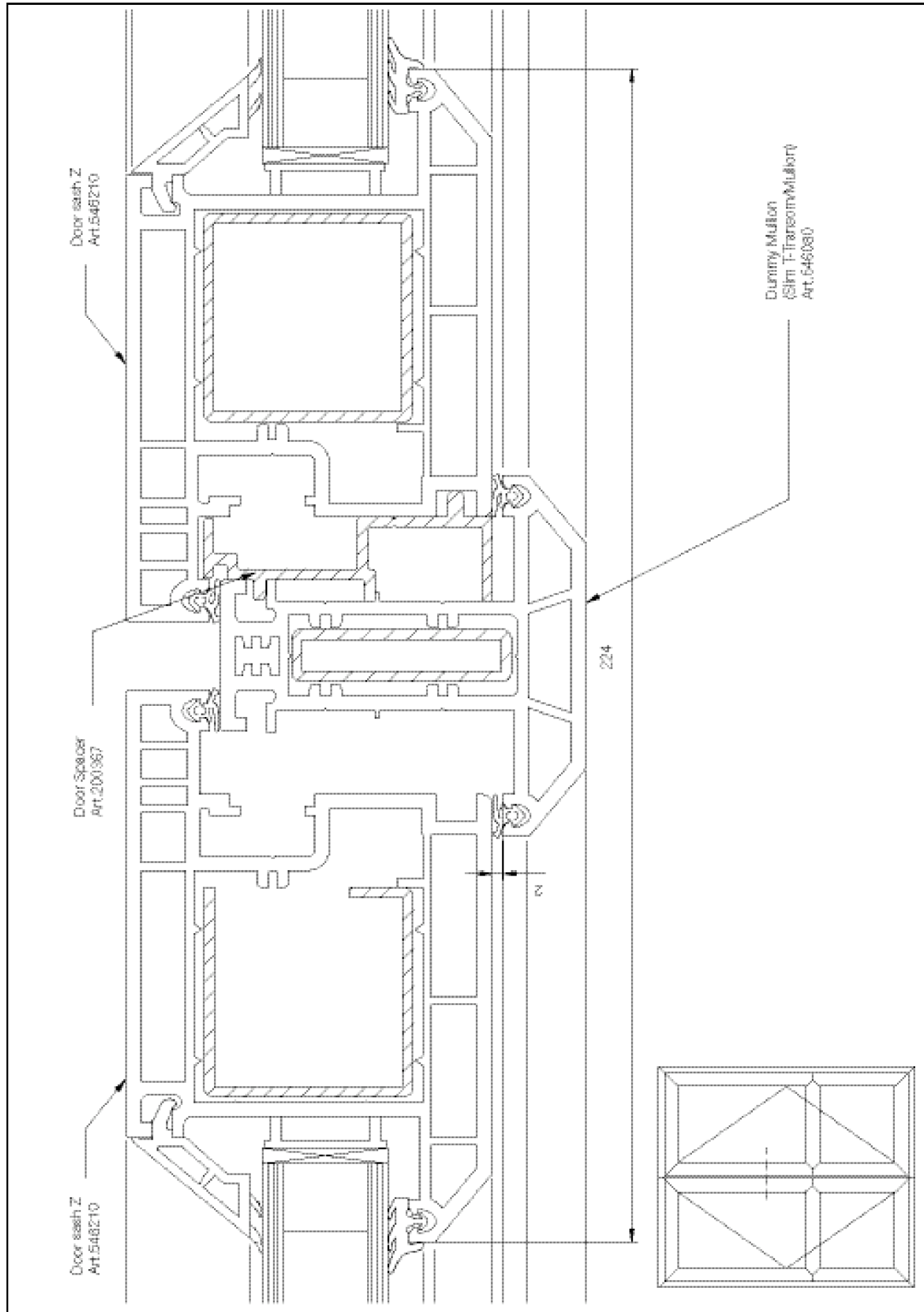
Note:  
Where transoms are welded, drainage water will travel through the transom chamber and escape through the drainage holes of the lower frame members.

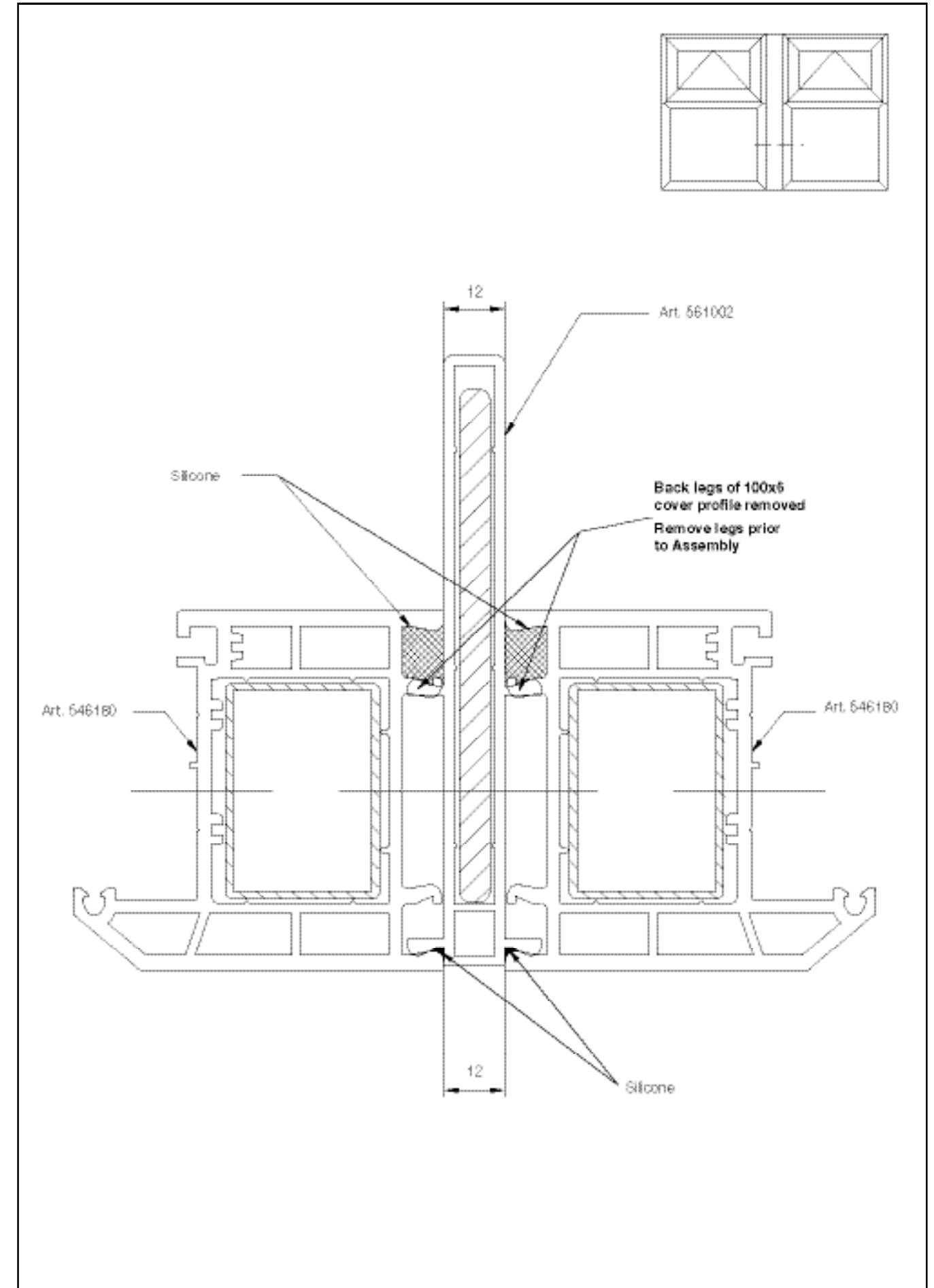
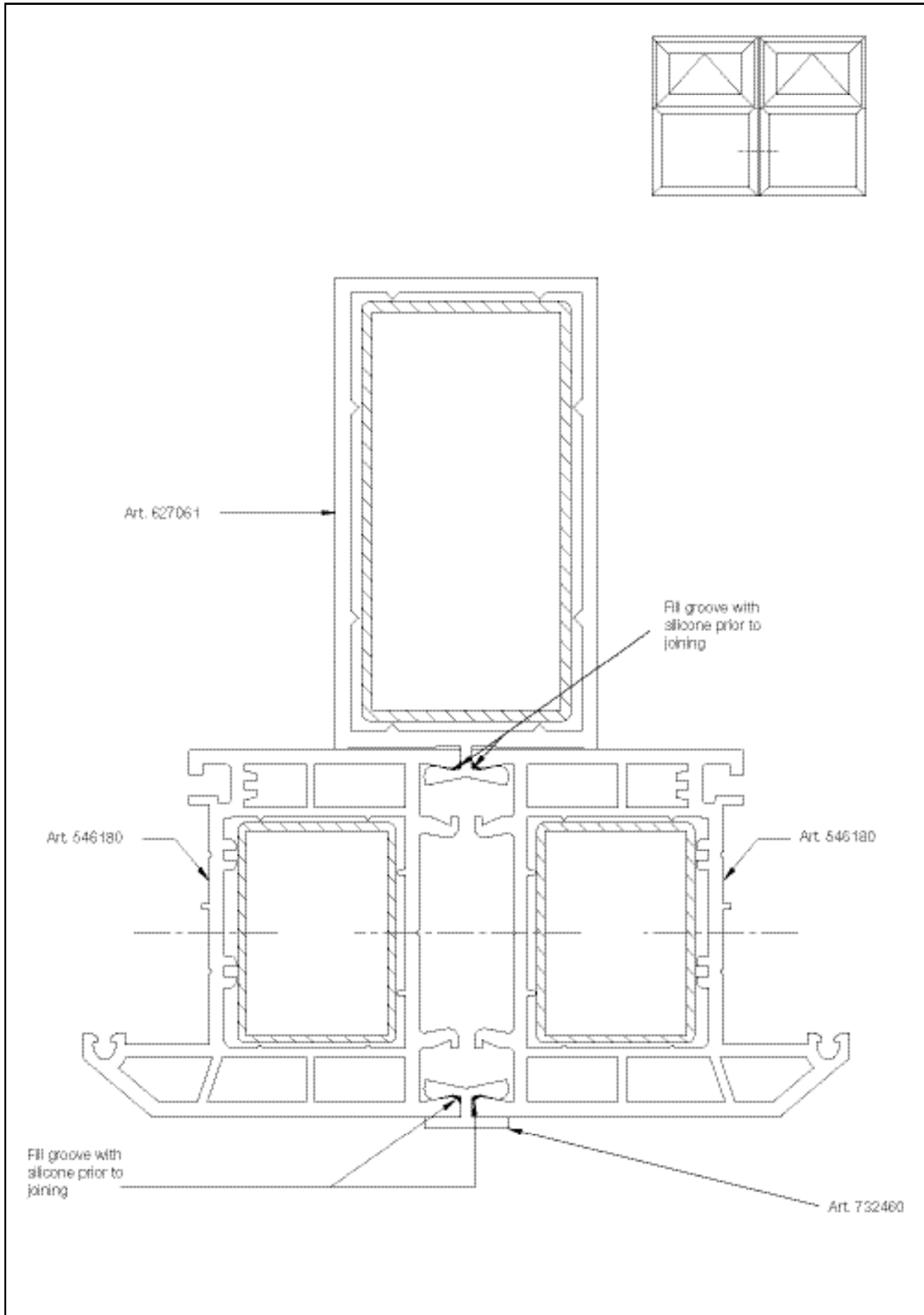


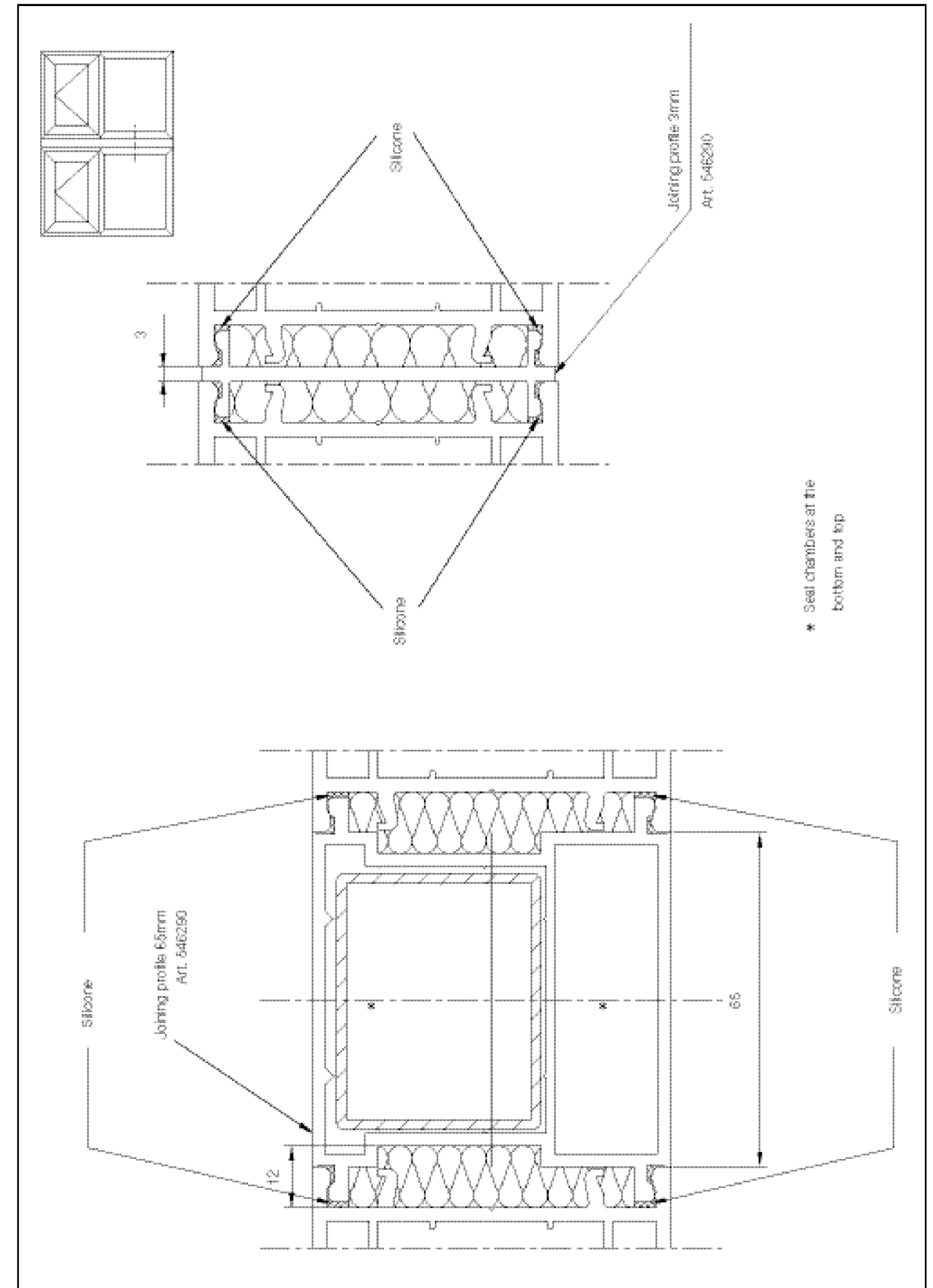
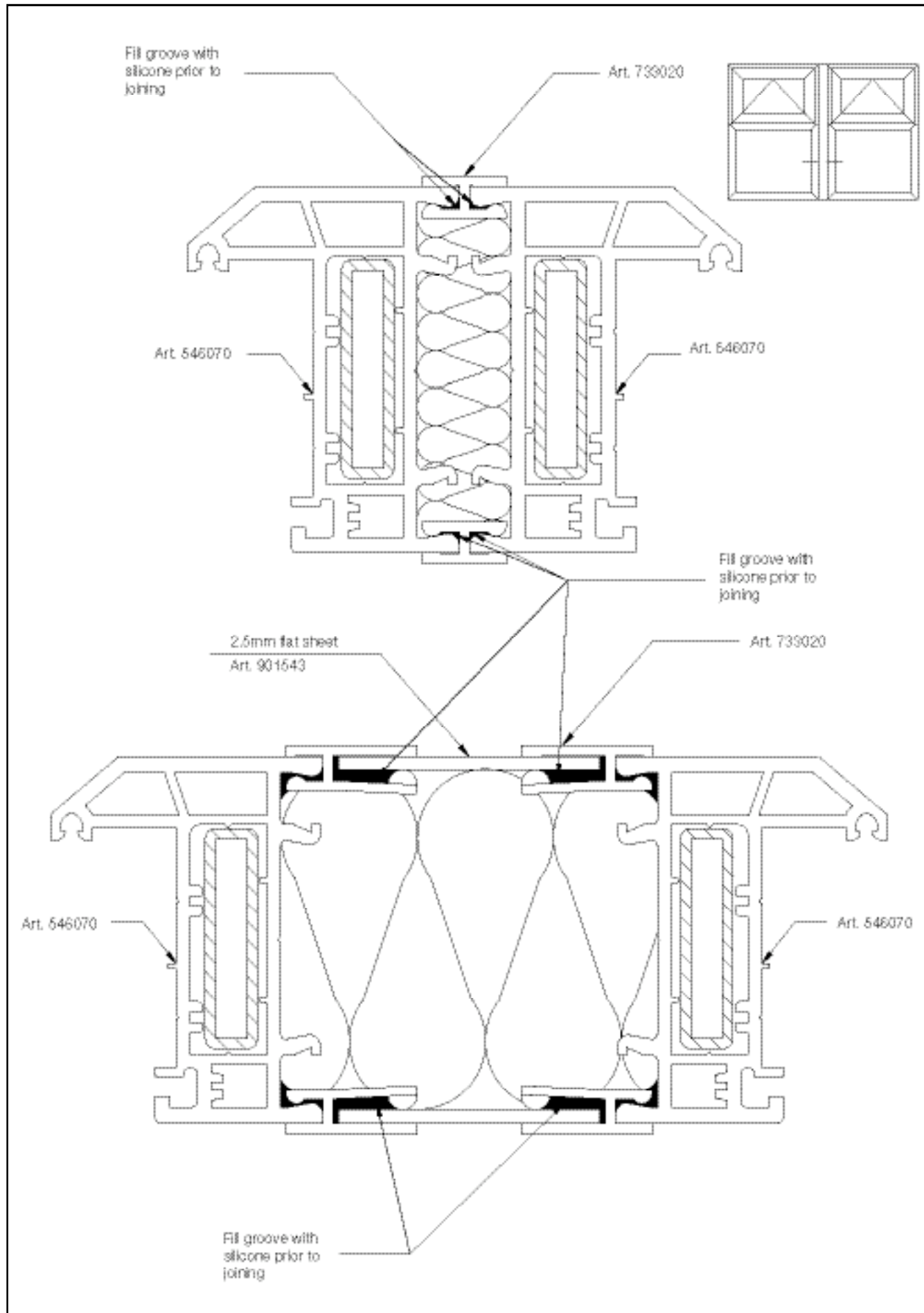


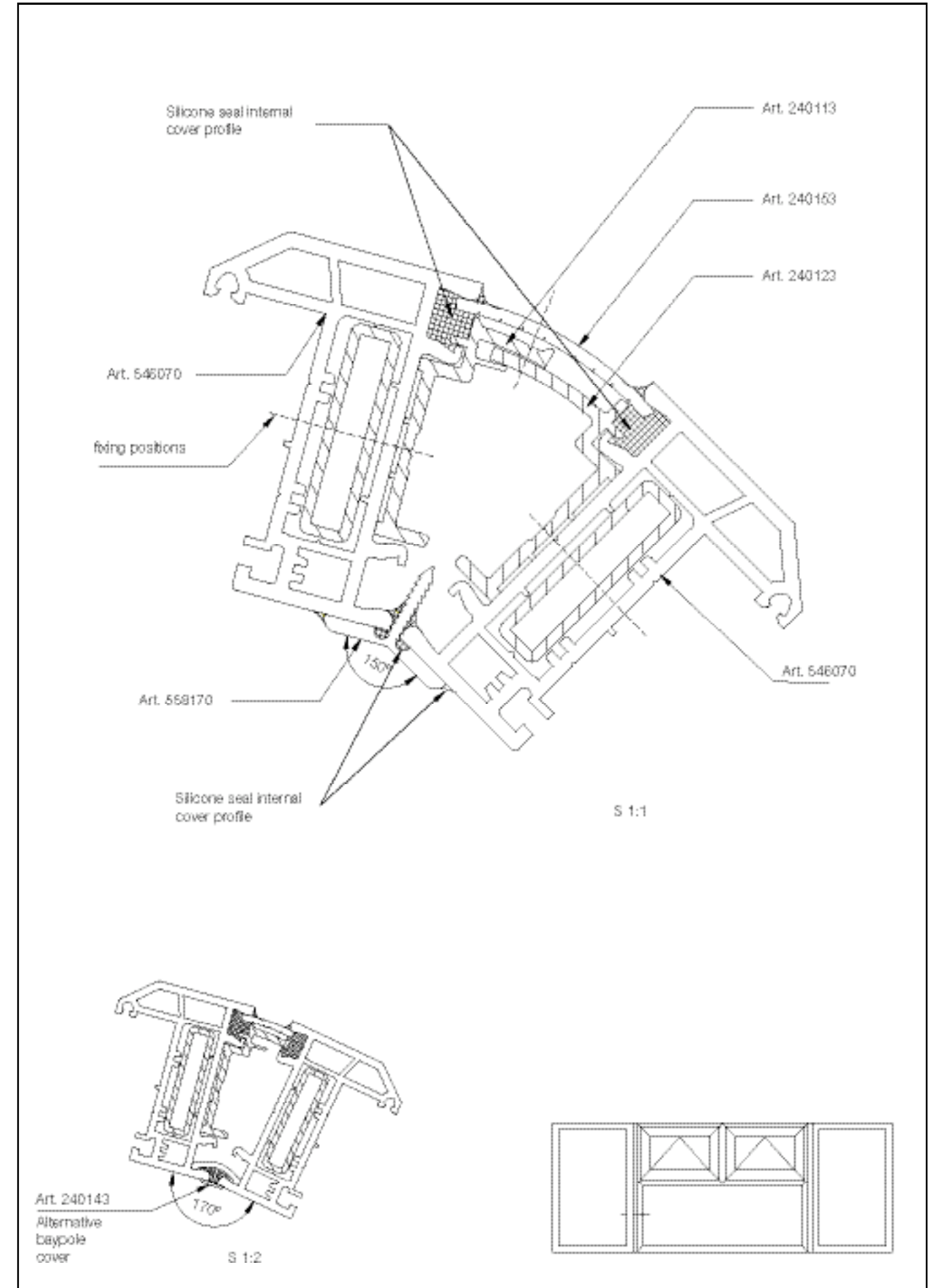
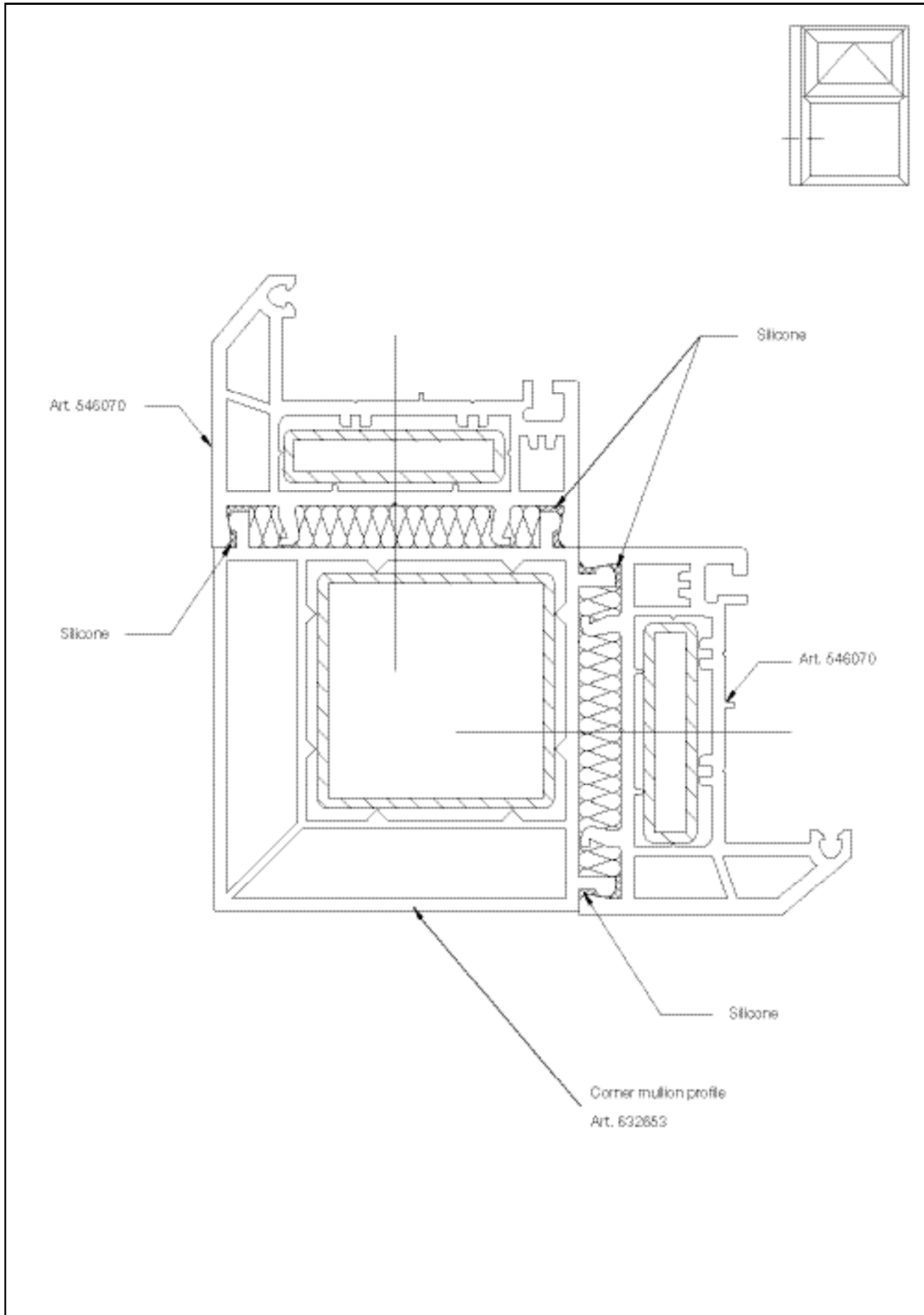


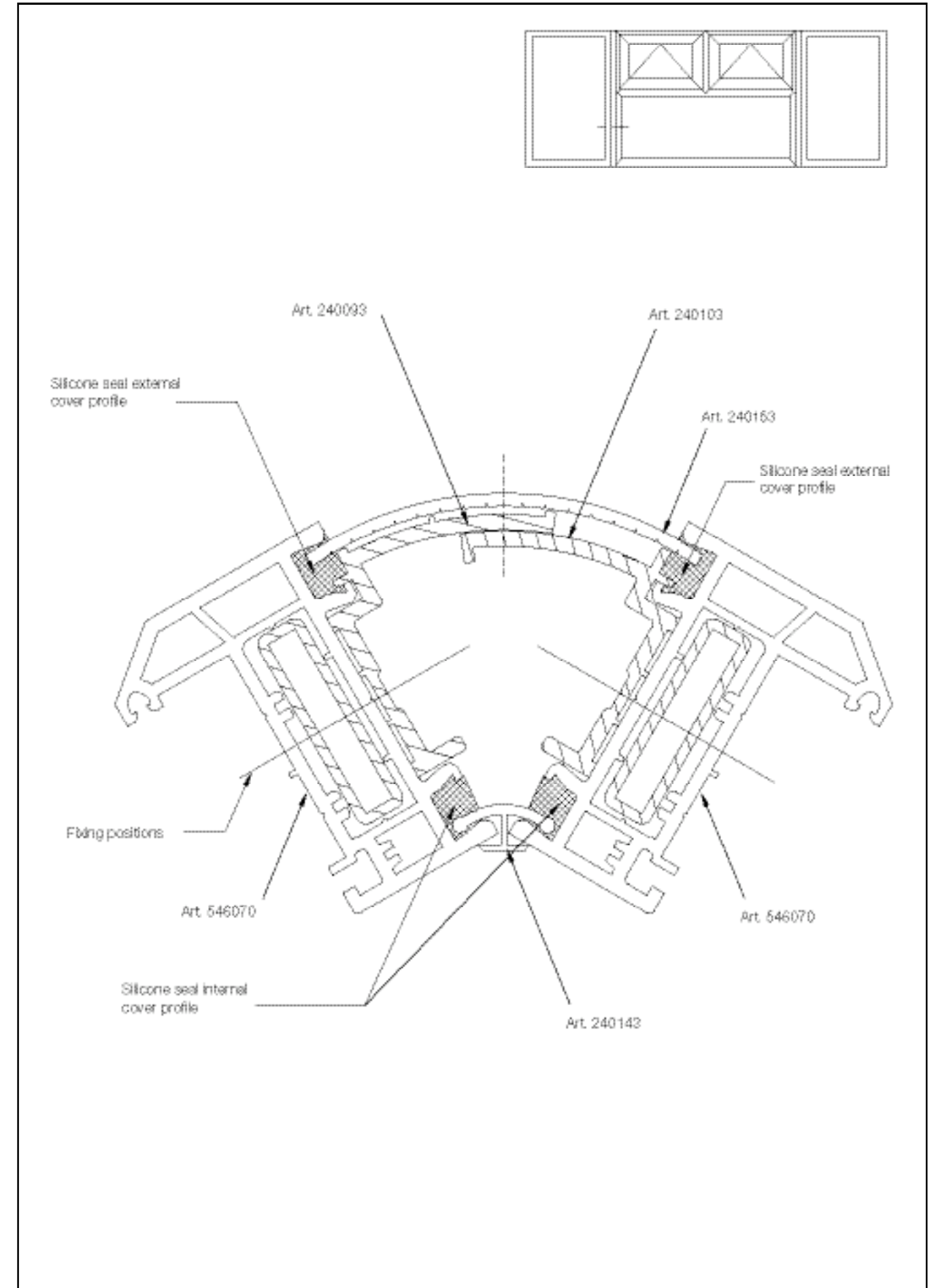
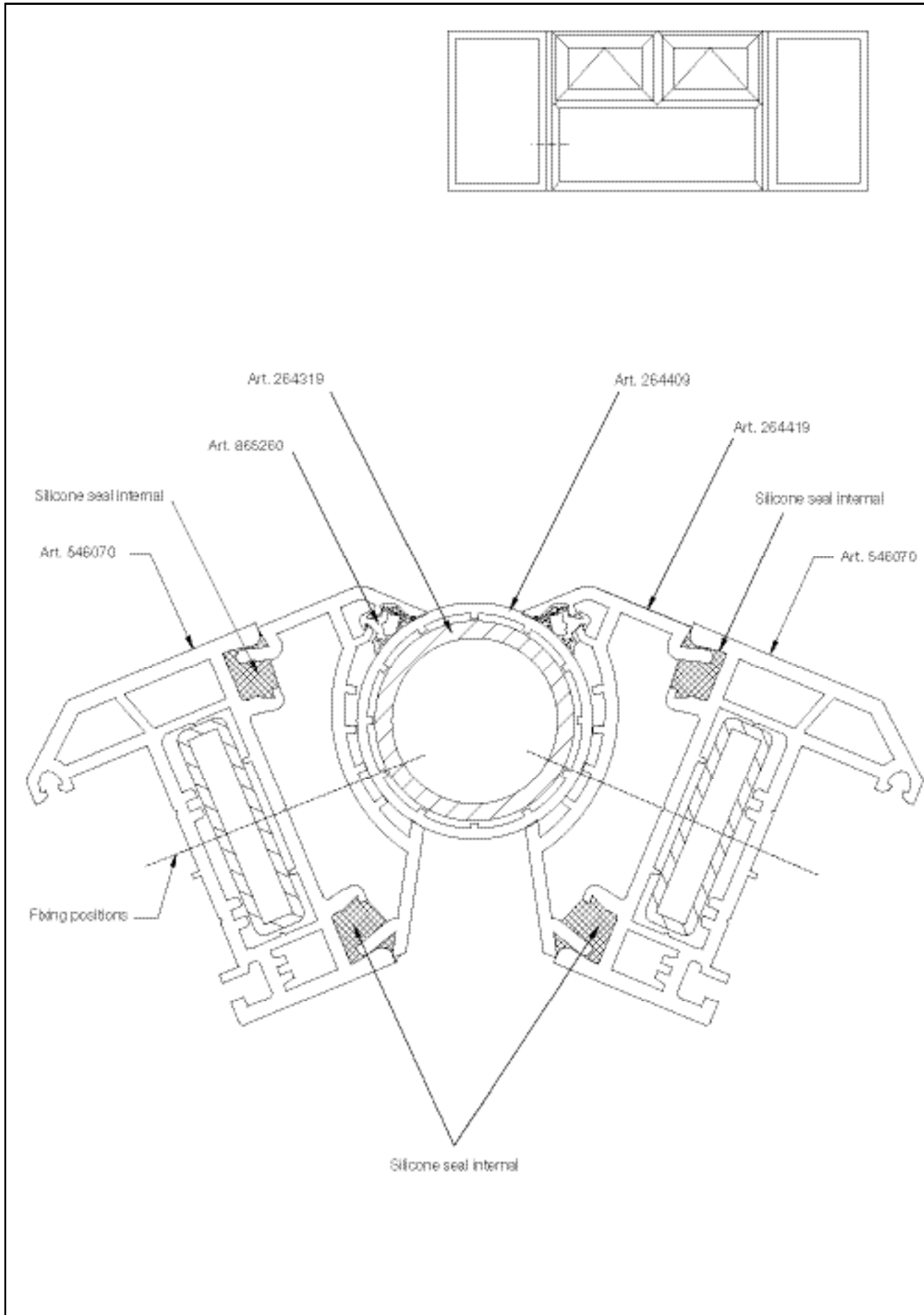


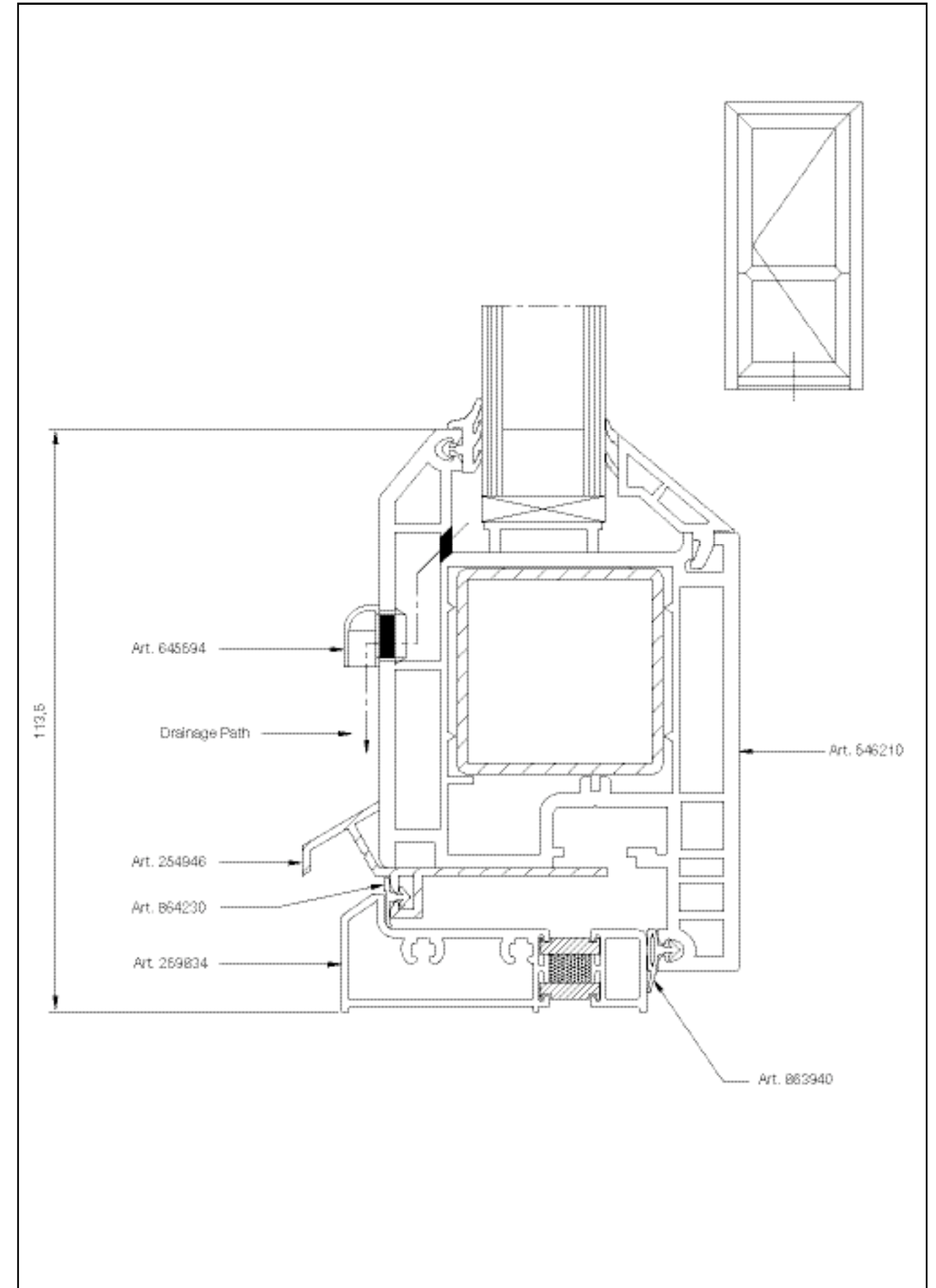
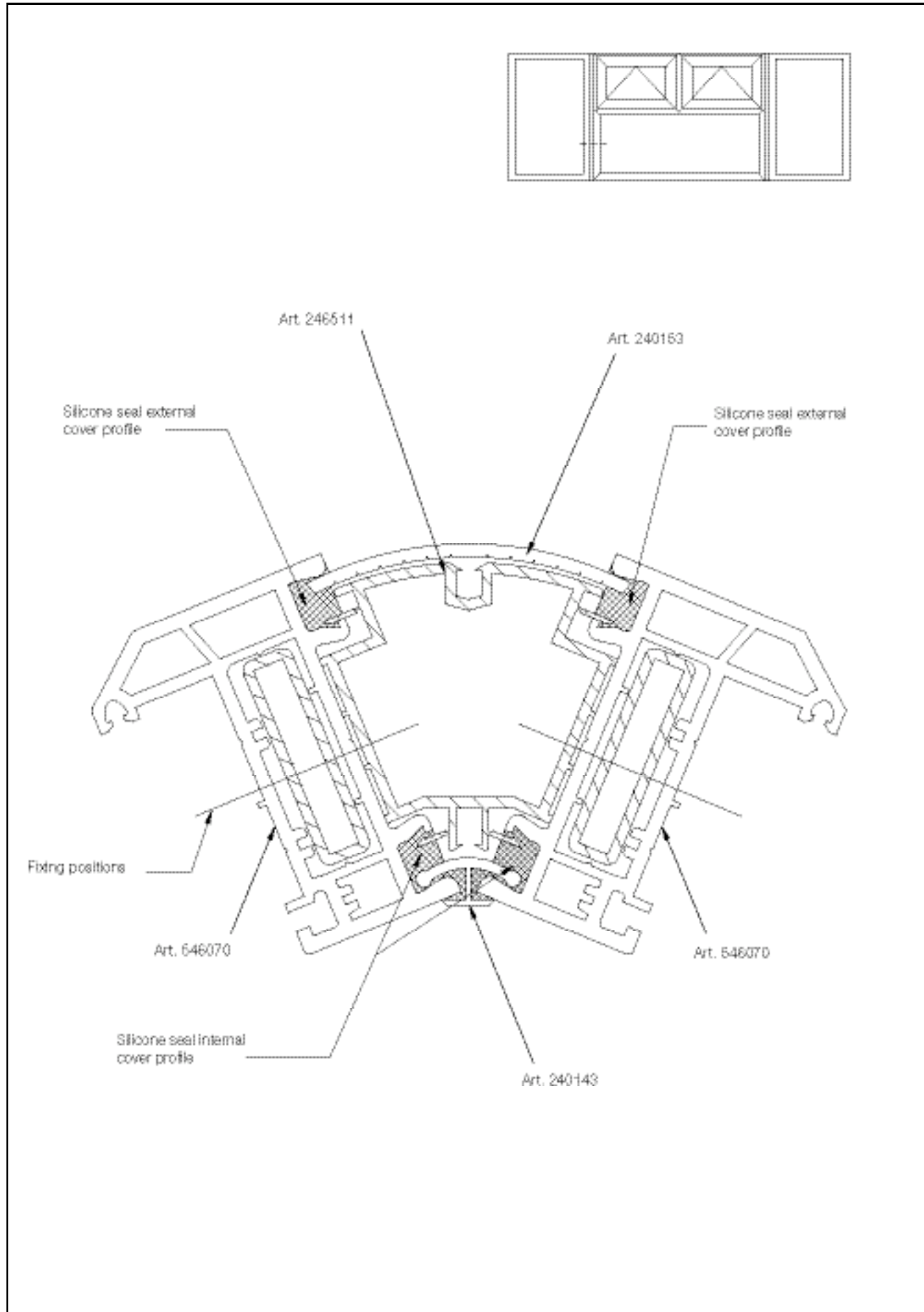


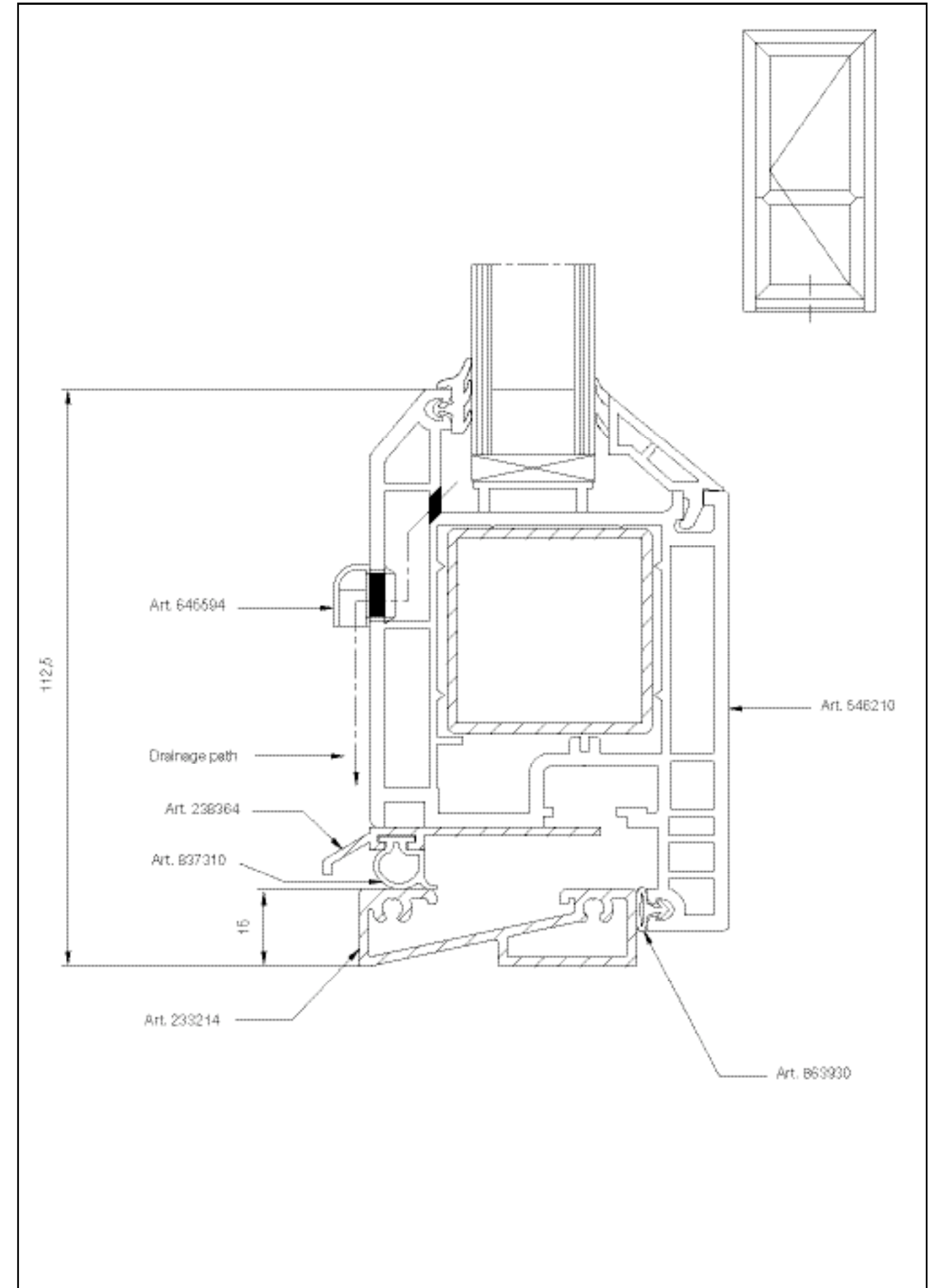
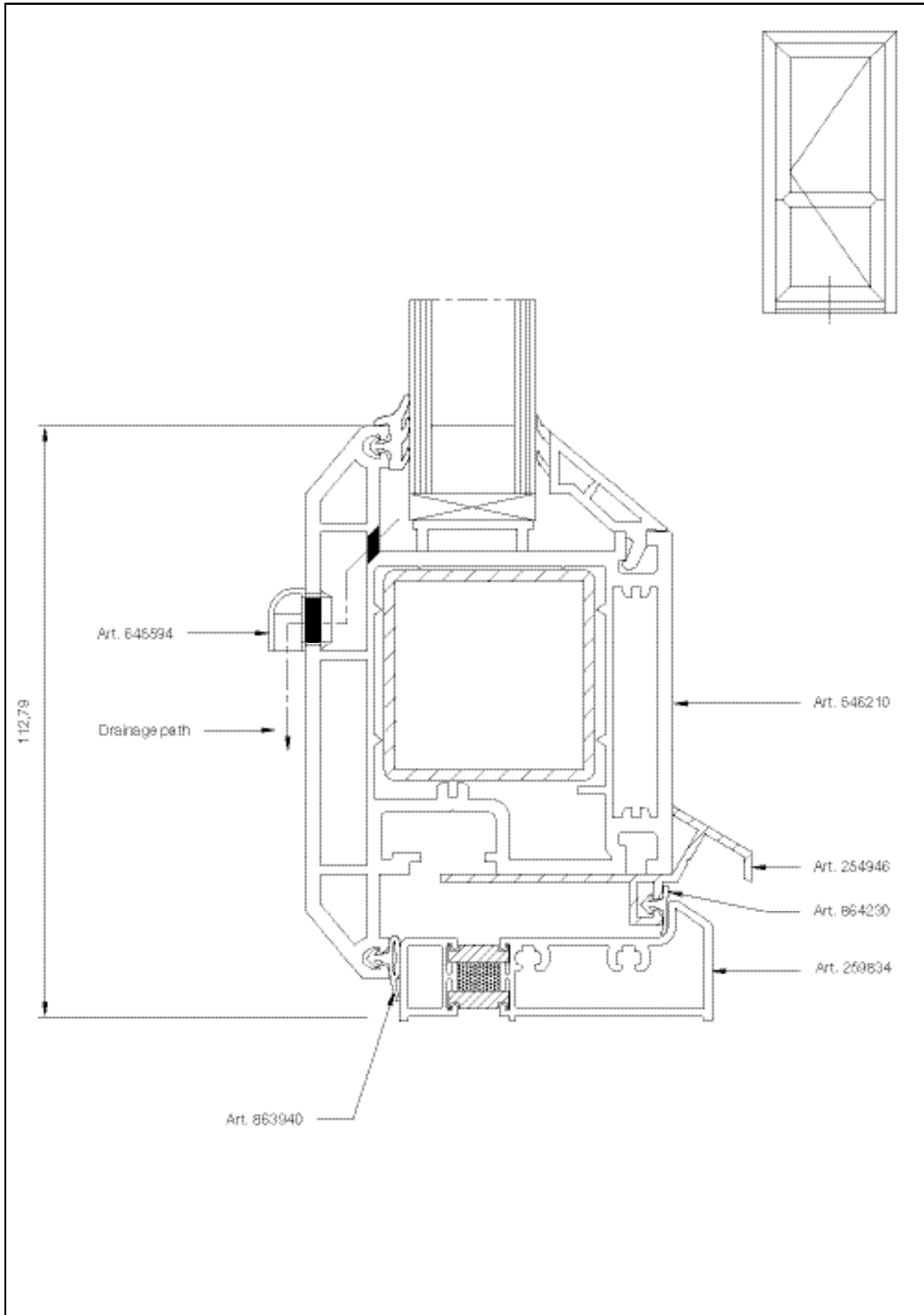


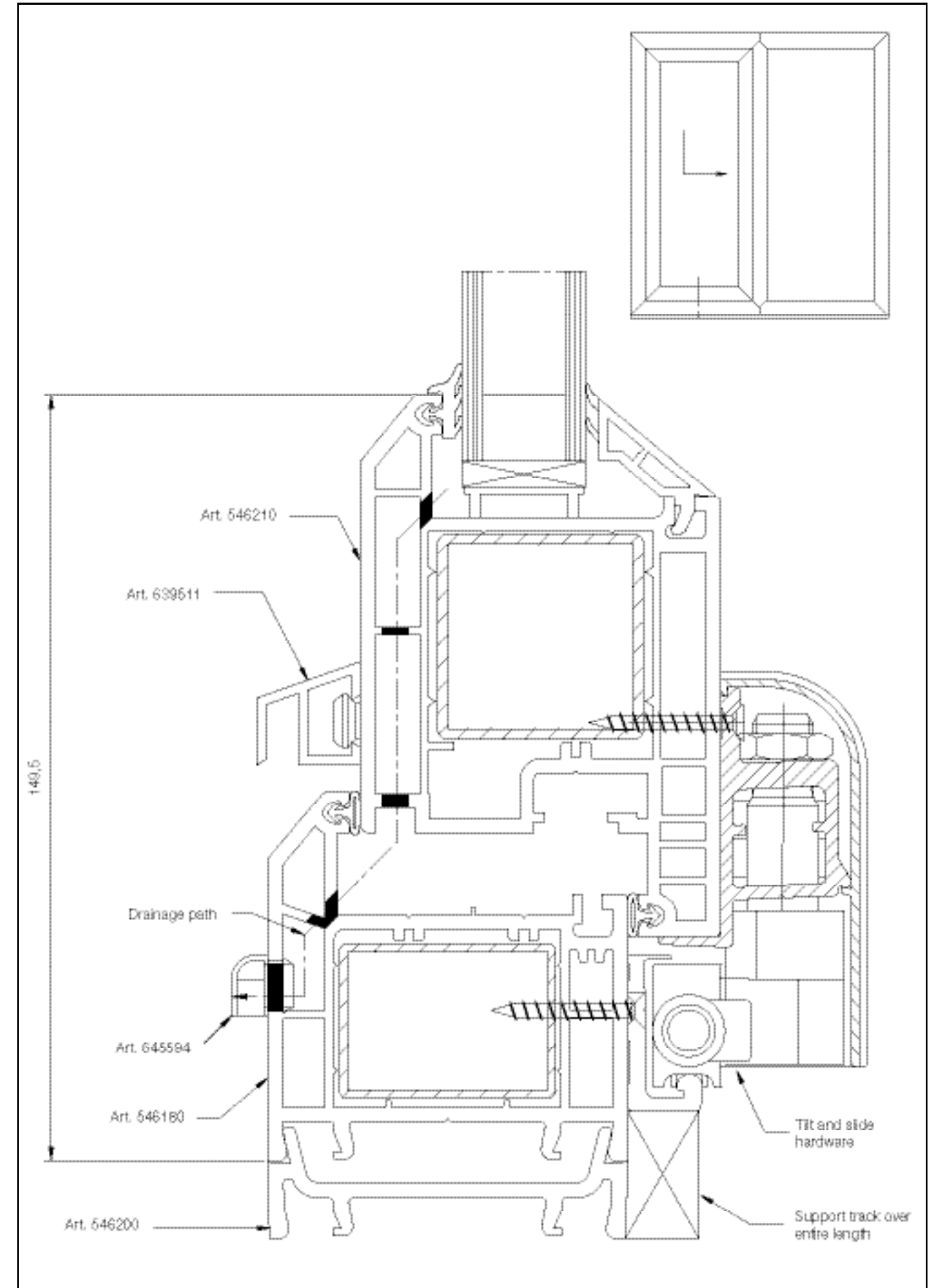
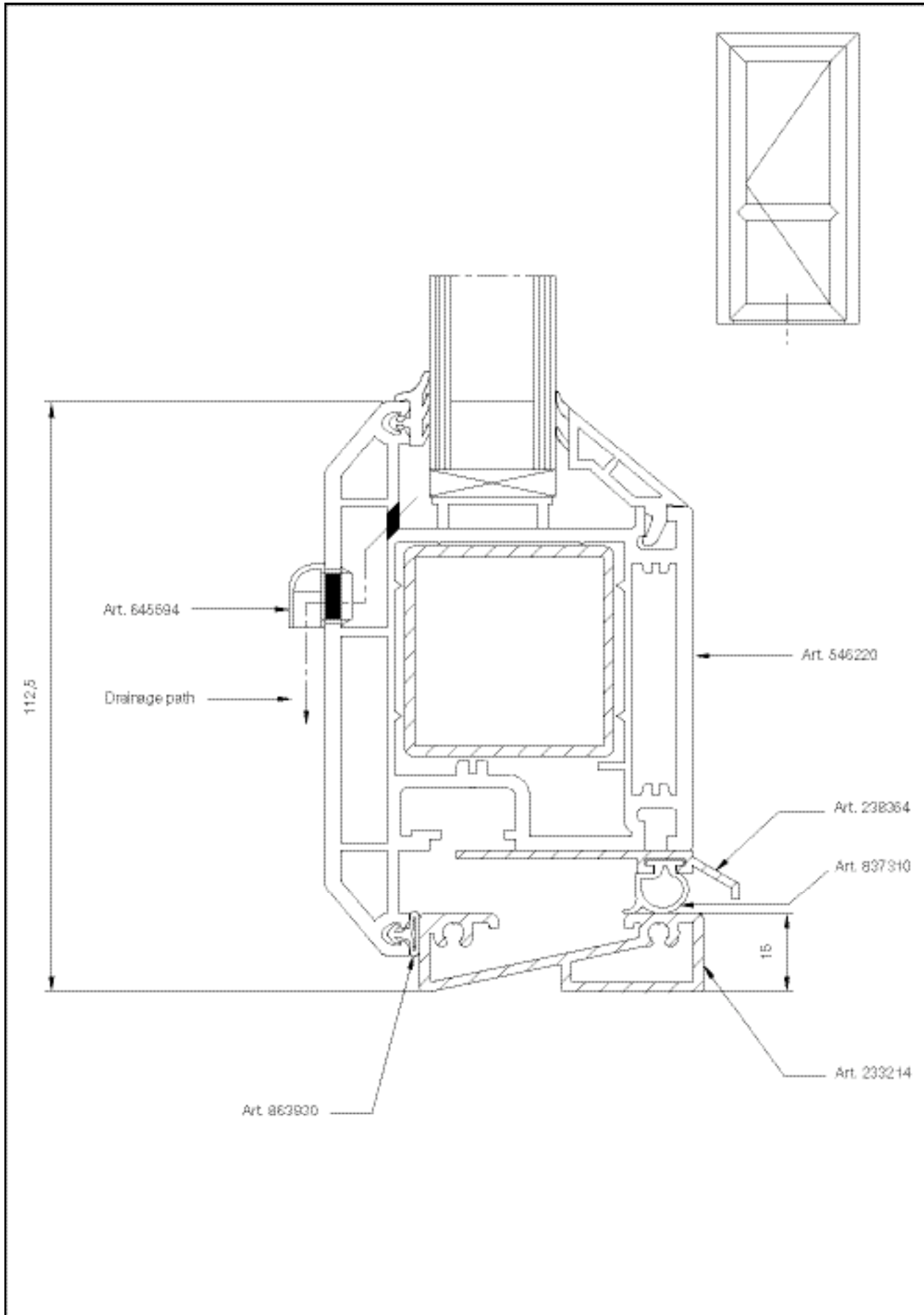




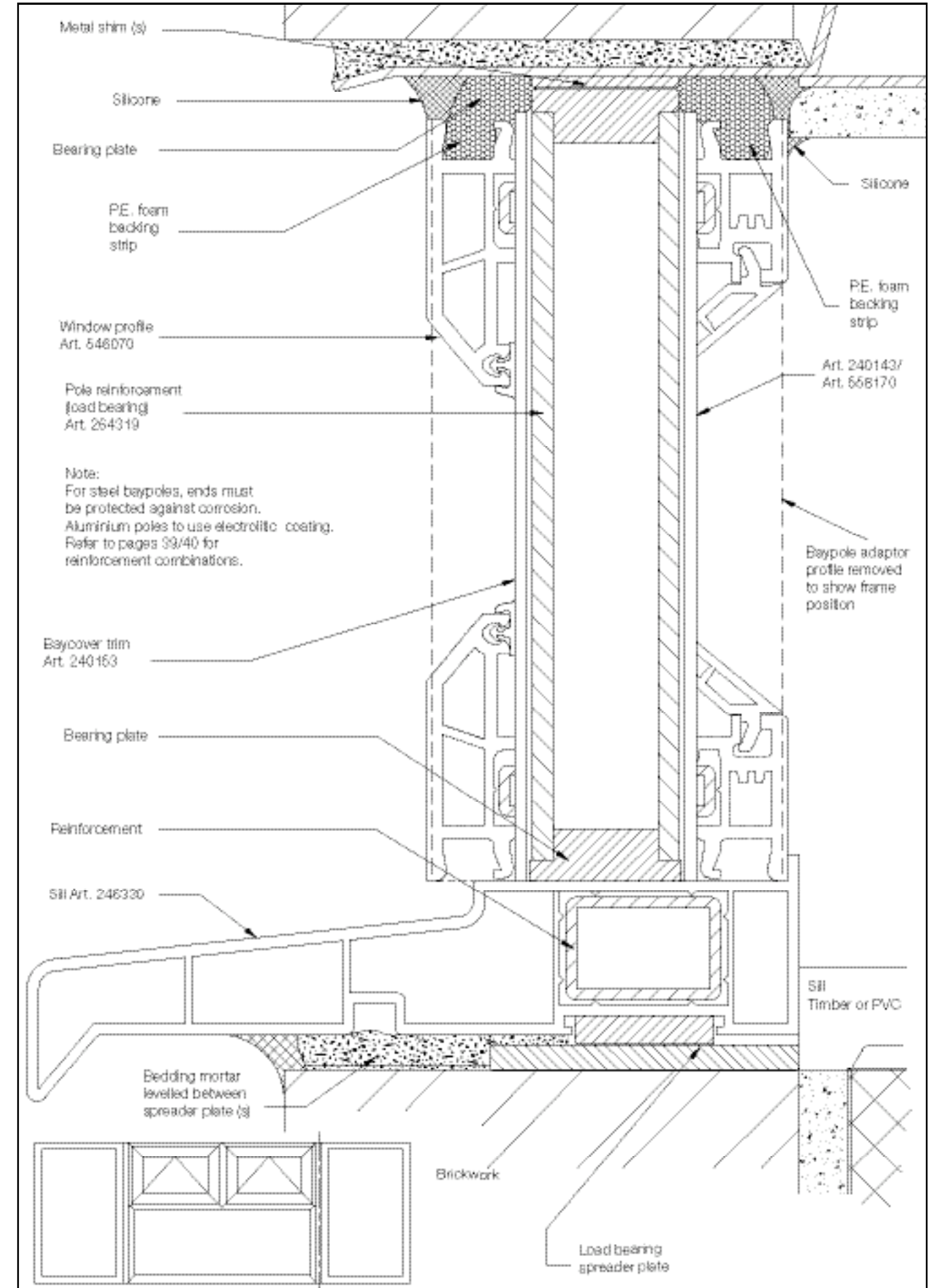
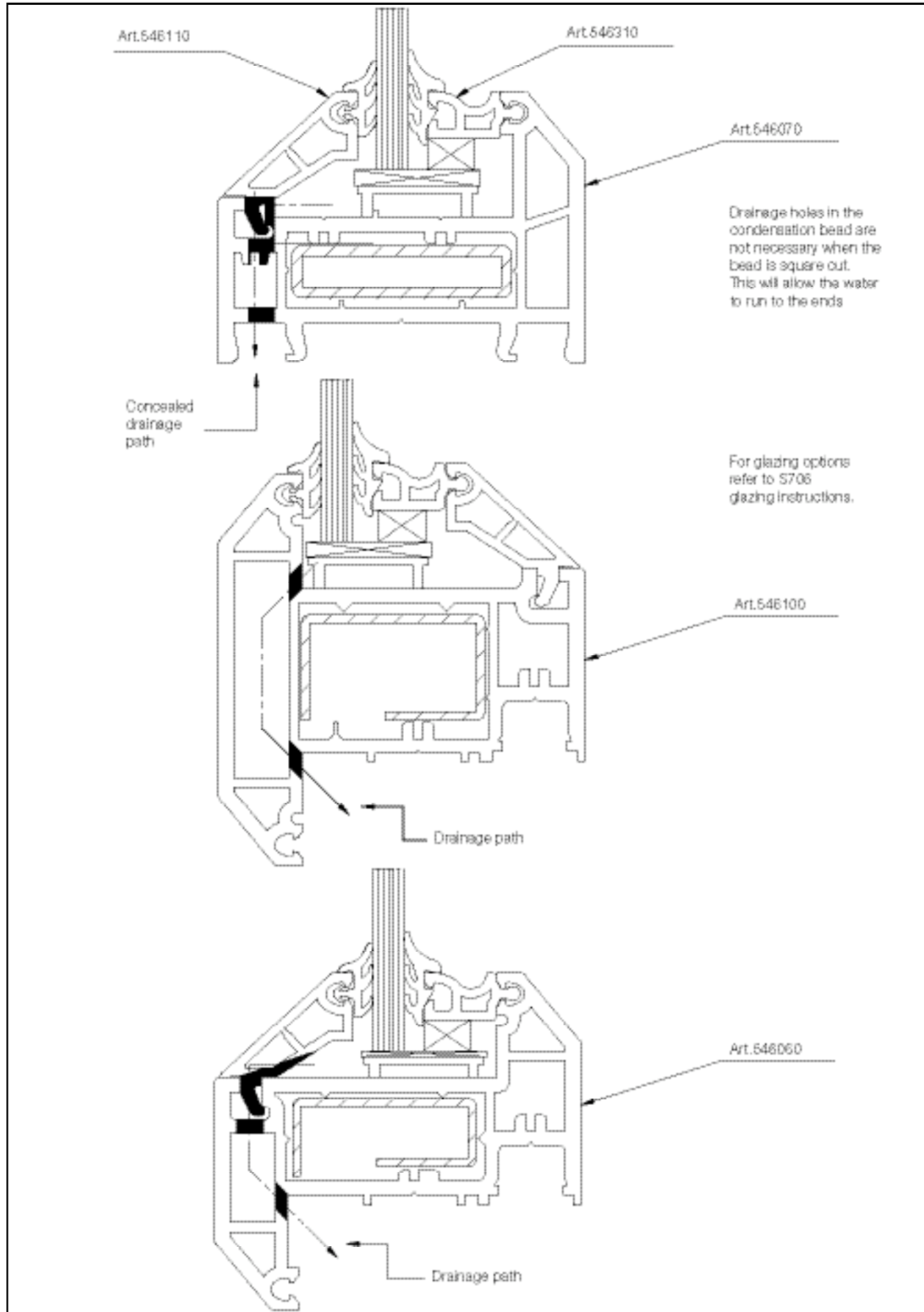


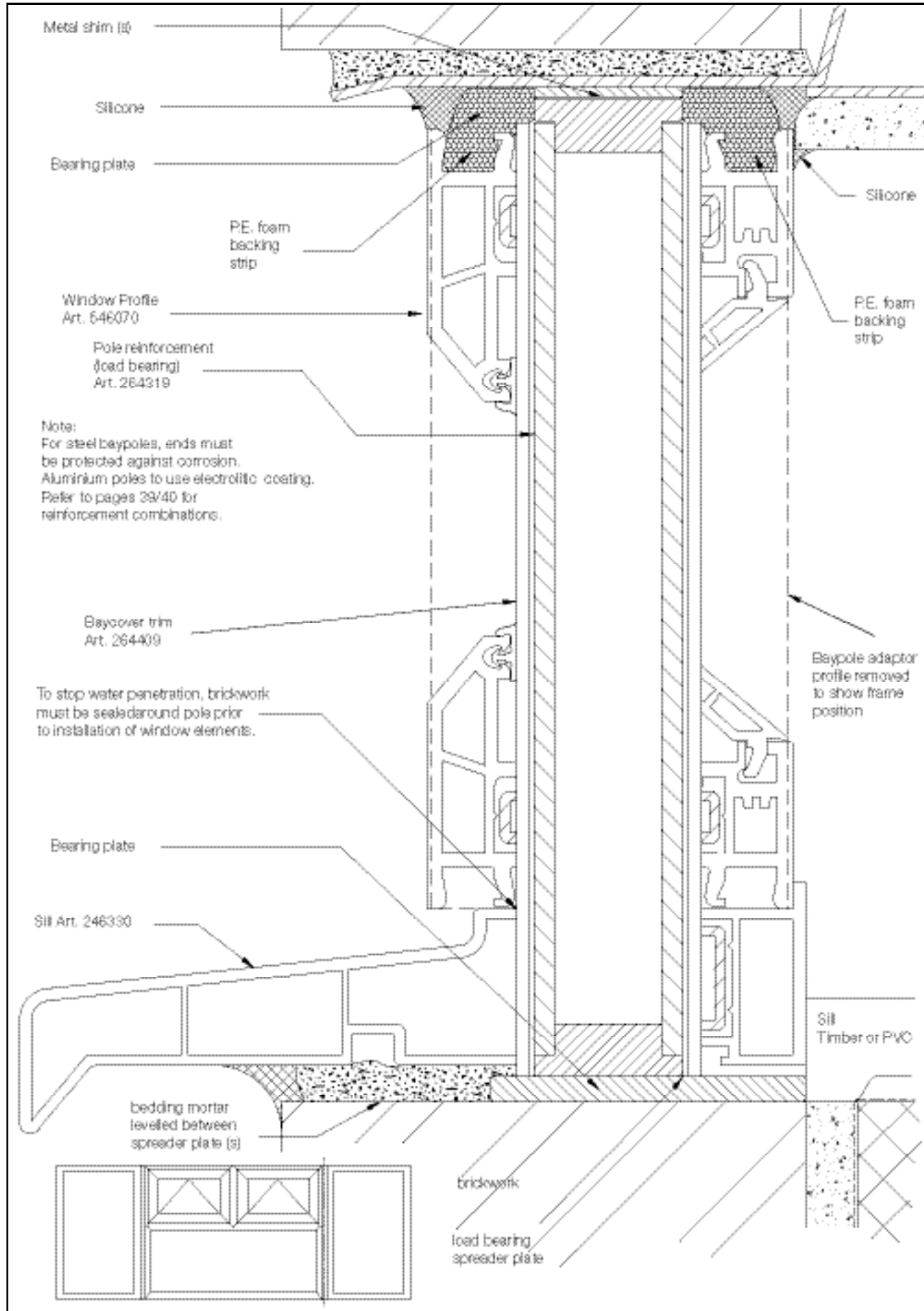














Our application technical advice, verbal and written, is based on experience and is to the best of our knowledge correct but is given without obligation.

The use of REHAU products in conditions that are beyond our control releases us from any obligation in regard to claims made for the products.

We recommend that the suitability of any REHAU product for a specific application should be checked.

Utilisation and processing of our products are beyond our control and are therefore exclusively your responsibility. In the event that a liability is nevertheless considered, any compensation will be limited to the value of the goods supplied by us and used by you.

Our warranty covers consistent quality of our products in accordance with our specification and in accordance with our conditions of sale.

This document is protected by copyright. All rights based on this are reserved. No part of this publication may be translated, reproduced or transmitted in any form or by any similar means, electronic or mechanical, photocopying, recording or otherwise, or stored in a data retrieval system.

For all large commercial projects, please contact our London office

**London**  
REHAU Ltd  
The Building Centre  
26 Store Street,  
London  
WC1E 7BT

Tel: (0207) 580 6155  
Fax: (0207) 307 8595

**Slough**  
Langley Business Park,  
Waterside Drive,  
Langley,  
Berkshire  
SL3 6EZ

Tel: (01753) 588500  
Fax: (01753) 588501

**Birmingham**  
Tameside Drive,  
Holford Way,  
Witton,  
Birmingham  
B6 7AY

Tel: (0121) 344 2300  
Fax: (0121) 344 2301

**Manchester**  
Brinell Drive,  
Irlam,  
Manchester  
M44 5BL

Tel: (0161) 777 7400  
Fax: (0161) 777 7401

**Glasgow**  
Phoenix House,  
Phoenix Crescent,  
Strathclyde Business  
Park, Bellshill, North  
Lanarkshire ML4 3NJ

Tel: (01698) 503700  
Fax: (01698) 503701

**Dublin**  
9 St. Johns Court  
Business Park,  
Swords Road,  
Santry,  
Dublin 9

Tel: 00353 (0)1 8165020  
Fax: 00353 (0)1 8165021

706.646E/6291ET/08.05



**Web: [www.rehau.co.uk](http://www.rehau.co.uk) Email: [enquiries@rehau.com](mailto:enquiries@rehau.com)**

For export please contact: REHAU AG + Co, Export Sales Office, P.O. Box 3029, D-91018 Erlangen, Tel.: 0 91 31/92-60