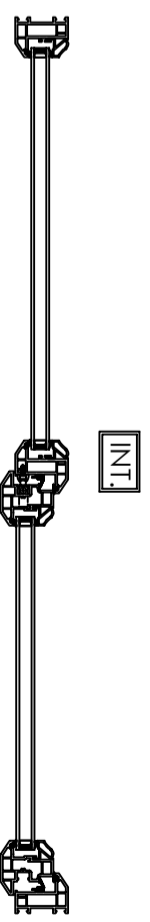
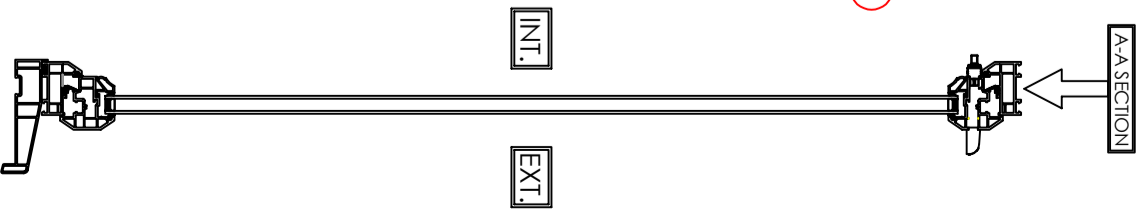
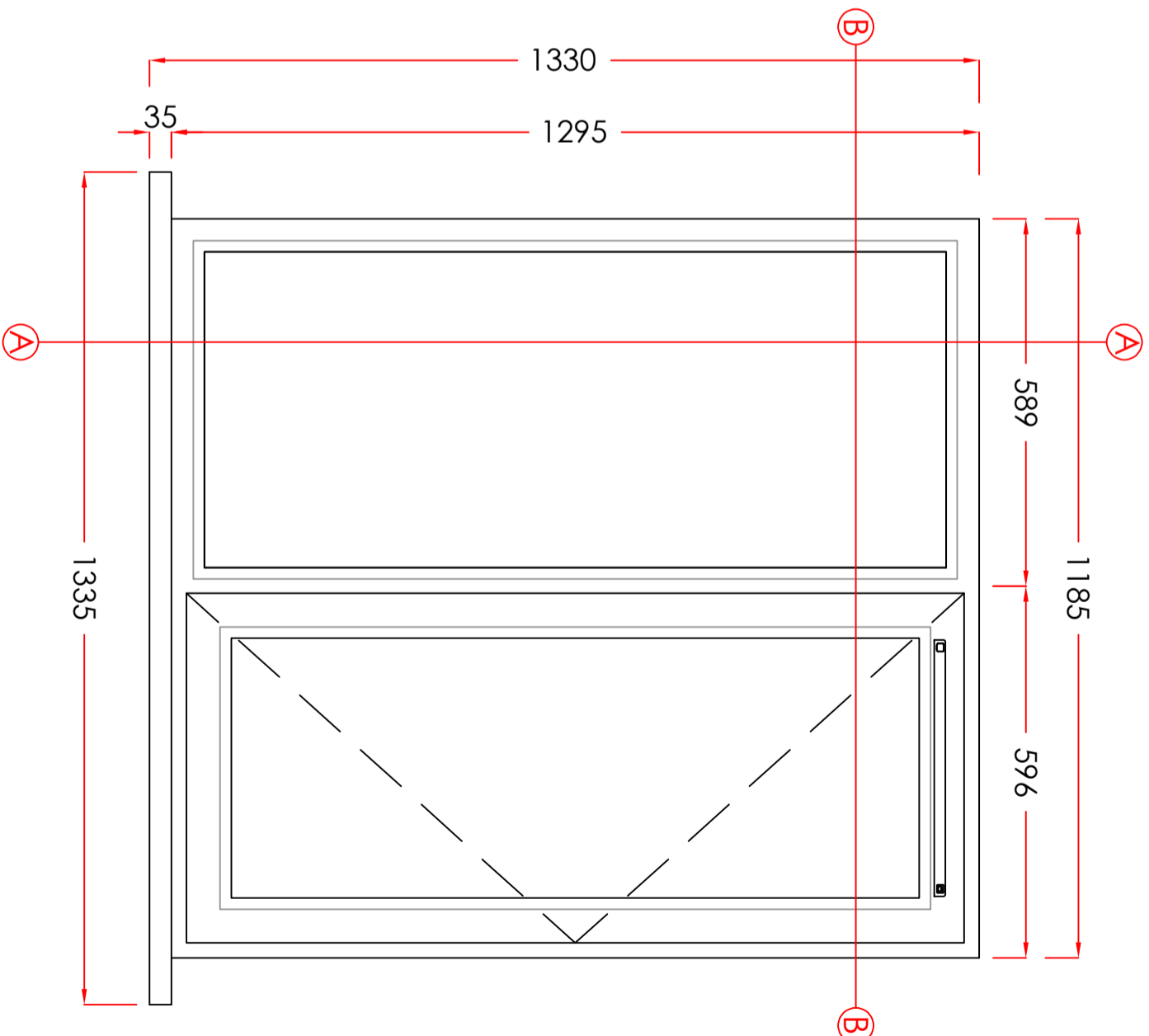


5. DINING ROOM
 MATERIAL - TIMBER
 INTERNAL & EXTERNAL COLOUR - WHITE
 GLAZING - 24MM SEALED UNITS



6. BEDROOM
 MATERIAL - PVCU
 INTERNAL & EXTERNAL COLOUR - WHITE
 GLAZING - 24MM SEALED UNITS

Revision	Date	Amendments	Drawers initials
A	08/01/24	Rear added	SF

VIEWED EXTERNALLY

THESE DRAWINGS ARE THE PROPERTY OF ANGLIAN HOME IMPROVEMENTS AND MUST NOT BE USED, DISTRIBUTED, LOANED OR COPIED WITHOUT THE EXPRESS PERMISSION OF ANGLIAN HOME IMPROVEMENTS.

Scale - 1:10

(Produced on A3 Paper)

Sheet 3 Of 5

CONTRACT No.: 30383255

date: 18/09/2023

PROPOSED: WINDOW REPLACEMENT
AT: (INSTALLATION ADDRESS)
 2 THE JETTIES
 NORTH LUFFENHAM
 OAKHAM
 LEICESTERSHIRE, LE15 8JX

