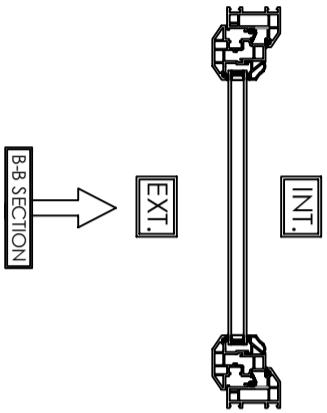
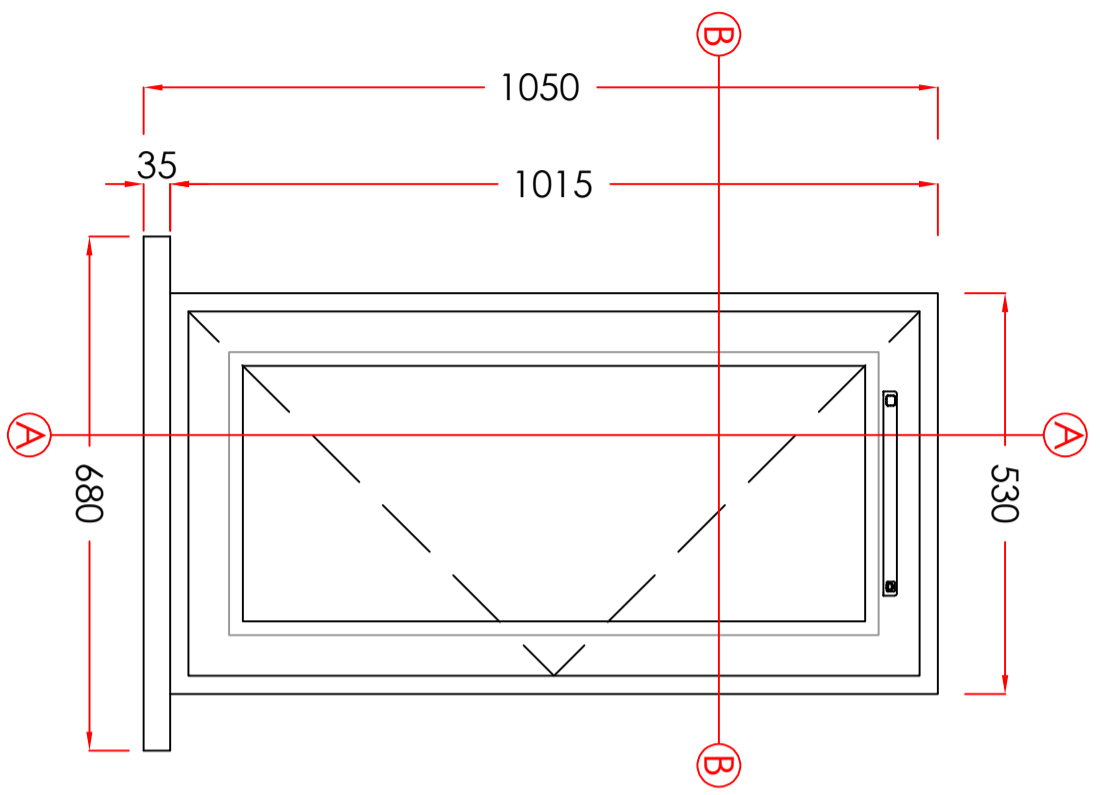


0 100 200 300 400 500 600 700 800 900 1000 1100 1200 1300 1400 1500

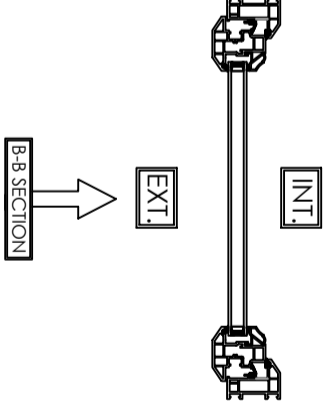
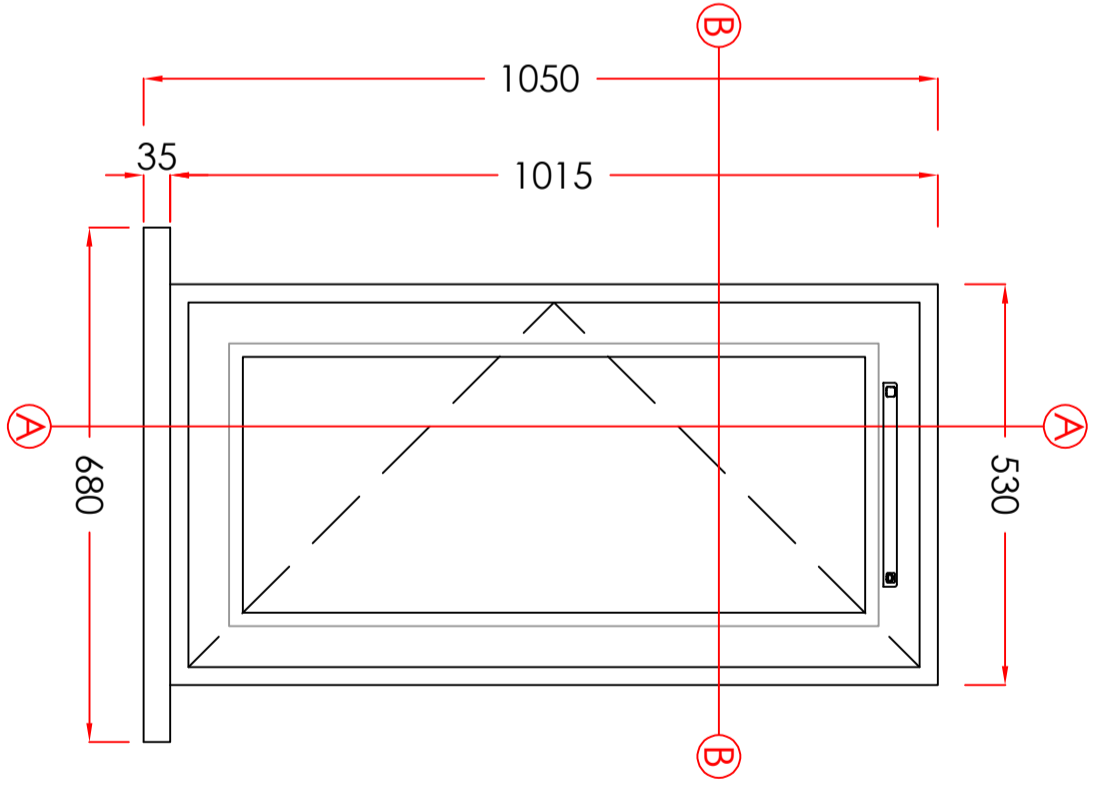
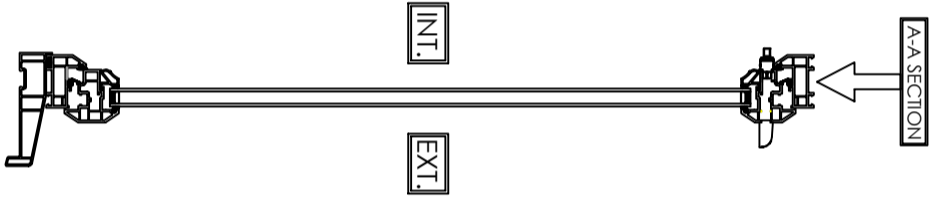
Scale Bar
1:10 (mm)

THESE DRAWINGS ARE THE PROPERTY OF ANGLIAN HOME IMPROVEMENTS AND MUST NOT BE USED, DISTRIBUTED, LOANED OR COPIED WITHOUT THE EXPRESS PERMISSION OF ANGLIAN HOME IMPROVEMENTS.

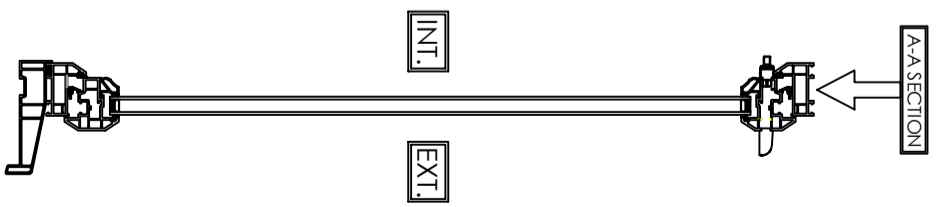
VIEWED EXTERNALLY



7. BEDROOM
MATERIAL - PVCU
INTERNAL & EXTERNAL COLOUR - WHITE
GLAZING - 24MM SEALED UNITS



8. LANDING
MATERIAL - PVCU
INTERNAL & EXTERNAL COLOUR - WHITE
GLAZING - 24MM SEALED UNITS



Revision	Date	Amendments	Drawers Initials
A	08/01/24	Rear added	SF

Scale - 1:10
(Produced on A3 Paper)
Sheet 4 Of 5

CONTRACT No.: 30383255

date: 18/09/2023

PROPOSED: WINDOW REPLACEMENT
AT: (INSTALLATION ADDRESS)
2 THE JETTIES
NORTH LUFFENHAM
OAKHAM
LEICESTERSHIRE, LE15 8JX

