

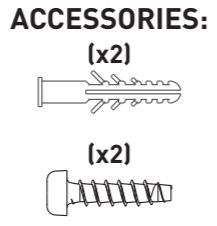
SOLAR GUARDIAN 1.5W WALL LIGHT WITH PIR SENSOR



NOTE – To comply with regulations, installation must be carried out by suitably qualified competent person and in accordance with the current IEE Wiring Regulations (BS7671) and Building Regulations. A copy of the instructions must be left for the user/maintenance engineer for future reference.

For non-UK, please refer/consult local requirements

ENSURE ELECTRICAL SUPPLY IS DISCONNECTED/ ISOLATED BEFORE COMMENCING INSTALLATION

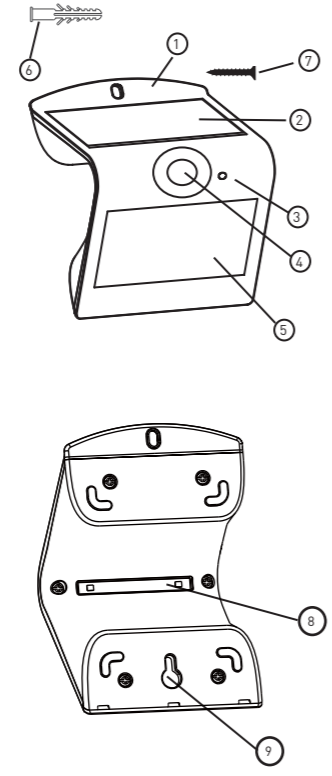


FEATURES & BENEFITS

- Front and rear facing LED technology provides both functional and ambient illumination
- 2 working modes, defined overleaf
- Long lasting battery life – 6 hours charge provides illumination up to 3 nights
- Perfect for outdoor entrance areas, balconies, paths and decorative garden lighting
- IP65 rated with durable impact resistant housing
- PIR detection range 2-6 metres – 10 seconds light illumination
- No wiring, easy & simple installation

SUGGESTED METHOD OF INSTALLATION

1. Select flat surface which receives direct sunlight
2. Drill 2 holes of 6mm at the requested place, keep 120 mm distance between the 2 holes, 2-4m height from ground
3. Fix 2 rawl plugs into the hole (included)
4. Fix a screw to the lower expansion plug with a little spare space, insert into the screw groove and fix
5. Straighten the whole lamp and fasten the upper screw tightly
6. Switch On - fitting will turn on and LEDs will illuminate for a short period before turning off to normal operation



- 1 – Solar Guardian Housing
- 2 – 0.7W Monocrystalline Silicon Solar Cell
- 3 – On/Off Push Button
- 4 – PIR Sensor
- 5 – Front LED Light
- 6 – Rawl Plug (included)
- 7 – Screw (included)
- 8 – Rear LED Light
- 9 – Screw Groove

NOTE

1. The lamp will light up when the environmental brightness is less than 30lux
2. The product is equipped with an internal lithium battery, please do not replace it by yourself, and don't put it with household waste or in a fire
3. Full battery capacity and lighting time depends on sunlight duration and weather
4. **If after a period of time the illumination from the LED lights looks dimmed, place Solar Guardian back in direct sunlight for 6 hours and the battery will fully charge returning illumination back to full power**

PRODUCT SPECIFICATIONS

Solar Panel: 0.7W, Monocrystalline Silicon
 Lithium Battery: 3.7V/1200mAh
 LED Qty: 14pcs SMD2835
 Rated Power: 1.5W
Illumination Beam Angle: 90°
 PIR Sensor Detection Area: 120°/2-6m
 Induction Delay Time: 1 second
 Working Time: When battery is fully charged, lamp can work 3 nights continuously
 Size: 145 x 96 x 79 mm

WORKING MODES

Select by pressing the power button until desired mode:

MODE A

Automatically turns ON to full brightness mode (220lm) when motion is detected within 6 metre range and then returns to weak brightness (dimmed front and back light on) after 10 seconds of no motion.

MODE B

Automatically turns ON to full brightness mode (220lm) when motion is detected within 6 metre range and then returns to standby night glow mode (back light only on) after 10 seconds of no motion.

United Kingdom Warranty

For other territories and for further information, please see www.luceco.com for details

Products are protected by guarantee for a period of 1 year warranty, from date of purchase against defects in material and workmanship (unless otherwise stated). Should a product fail to perform as described within the warranty period it will be repaired or replaced with the same or equivalent product by Luceco, free of charge provided that you: (1) return the product to us with shipping charge prepaid, (2) provide us with proof of the original date of purchase and (3) quote our return authorization number. Repaired or replaced products will be returned to you with shipping charges prepaid. Replacement products may be refurbished or contain refurbished materials. If in our sole discretion, we are unable to repair or replace a defective product, we will refund the purchase price of the product.

This warranty will not apply if in our judgment, the product fails due to damage in shipment, handling, storage, accident, abuse or misuse, or if it has been used in a manner not conforming to our product instructions, has been modified in any way, or has any serial number removed or defaced. Repair or attempted repair will void this warranty. Our maximum liability under the terms of this warranty is limited to the purchase price of the product covered by the warranty.

The warranty is given under English Law. If any part of this warranty is deemed unenforceable (including any provision in which we exclude our liability to you) the enforceability of any other parts of the warranty will not be affected. These terms do not reduce your statutory rights.

For Non-UK please contact Local Luceco Office for details. THESE TERMS AND CONDITIONS ARE SUBJECT TO CHANGE WITHOUT PRIOR NOTICE.

Eventually, you may want to replace this fitting;

Environmental Protection W.E.E.E (Wheellie Bin Symbol for EU ONLY)

This symbol is known as the "crossed-out" wheellie Bin Symbol". When this symbol is marked on a product or battery, It means that it should not be disposed of with your general household waste. Some chemicals contained within electrical/electronic products or batteries can be harmful to health and the environment. Only dispose of electrical/electronic/ battery items in separate collection schemes, which cater for the recovery and recycling of materials contained within. Your co-operation is vital to ensure the success of these schemes and for the protection of the environment.

Tech Help Line UK - 0330 0249 279 Non UK - +44 (0)1952 238 100 Supplied by LUCECO Stafford Park 1 TF3 3BD ENGLAND	Kontakt UK - 0330 0249 279 Non UK - +49 40 89066 878 - 29 Geliefert von Luceco GmbH Holstenplatz 20b, 22765 Hamburg DEUTSCHLAND	Support Technique UK - 0330 0249 279 Non UK - +33 (0)1 61 10 10 35 Notice fournie par Luceco SAS France & Belux 3 Rue de Courtalin, Magny Le Hongre 77700 FRANCE & BELUX	Servicio de asistencia telefónica UK - 0330 0249 279 Non UK - +34 93 829 55 74 (EU) Luceco SE C/ Bobinadora 1-5 08302 Mataró Barcelona Spain	Assistenza tecnica telefonica UK - 0330 0249 279 Non UK - +39 0434 1696795 Fornito da BG Electrical Ltd Nexus Italia, Via Amman 10 33170 Pordenone, Italy
--	--	--	--	--

Visit our website at www.luceco.com Besuchen Sie uns auf www.luceco.de Visitez note site Web www.luceco.fr Visite nuestra web en www.luceco.com Visitate il nostro sito www.luceco.com

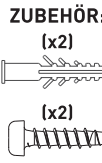
SOLAR Wandleuchte, 1.5W Wandleuchte mit Bewegungsmelder



HINWEIS - Zur Einhaltung der Vorschriften muss die Montage von einem qualifizierten Elektrinstallateur...

Eigenschaften und Vorteile

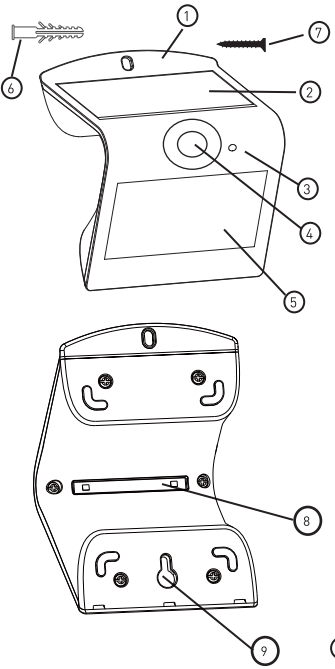
- Nach vorne und hinten gerichtete LEDs bieten sowohl eine Ausleuchtung einer Fläche...



- Perfekt für Eingänge im Außenbereich, Balkone, Wege und als dekorative Gartenbeleuchtung geeignet...

EMPFOHLENE MONTAGEMETHODE

- Wählen Sie eine flache Oberfläche, die direktem Sonnenlicht ausgesetzt ist.
- Bohren Sie an der gewünschten Stelle zwei Löcher...



- 1 - Gehäuse der Solarleuchte
2 - Monokristalline Silizium-Solarzelle (0,7 W)
3 - Ein-/Aussschalter
4 - Bewegungsmelder

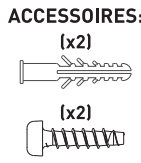
PROJECTEUR DE SÉCURITÉ SOLAIRE 1.5W, AVEC DÉTECTEUR DE MOUVEMENTS



REMARQUE - Conformément aux réglementations en vigueur, l'installation doit être effectuée par un électricien qualifié...

Caractéristiques et avantages

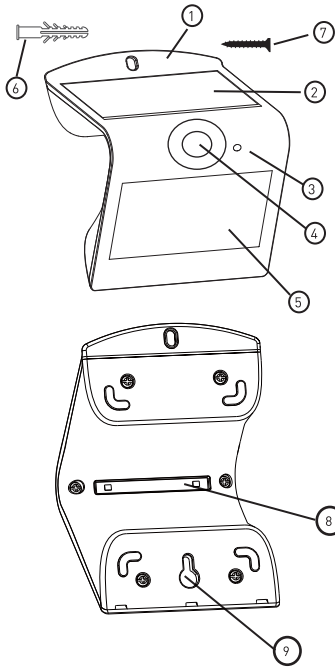
- Technologie LED à l'avant et à l'arrière offrant un éclairage fonctionnel et d'ambiance
- Homologation IP65 avec un boîtier durable résistant aux impacts



- Solution idéale pour l'éclairage extérieur des zones d'entrée, des balcons, des allées et des jardins d'agrément...

MÉTHODE D'INSTALLATION RECOMMANDÉE

- Choisissez une surface plate directement exposée à la lumière du soleil.
- Percez 2 trous de 6 mm aux emplacements requis...



- 1 - Boîtier de l'applique murale solaire
2 - Cellule solaire en silicium monocristallin de 0,7 W
3 - Interrupteur Marche/Arrêt
4 - Sonde de détection

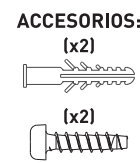
GUARDIAN SOLAR, LUZ DE PARED CON PIR 1.5W



AVISO - Para cumplir con el reglamento, la instalación debe llevarla a cabo un electricista cualificado...

Características y ventajas

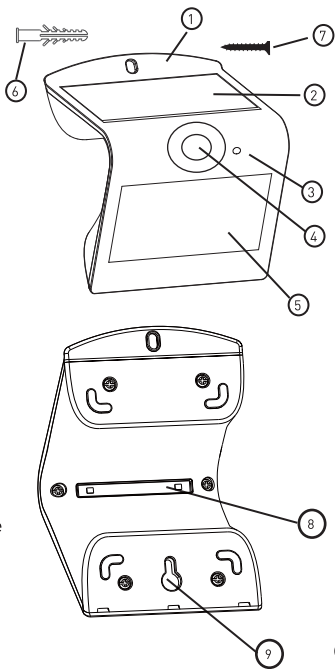
- La tecnología con luces LED delantera y trasera proporciona una iluminación funcional y de ambiente
- Clasificación IP65 con carcasa duradera resistente a los impactos



- Perfecta para la zona exterior de entrada a la vivienda, balcones o caminos...

MÉTODO DE INSTALACIÓN PROPUESTO

- Elija una superficie plana que reciba luz solar directa.
- Haga dos orificios de 6 mm en el lugar que desee...



- 1 - Carcasa Solar Guardian
2 - Célula solar de silicio monocristalino de 0,7 W
3 - Encendido/ Apagado
4 - Sensor PIR

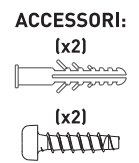
SOLAR GUARDIAN, LUCE PARETE 1.5W CON PIR



NOTA - Per motivi di legge, l'installazione deve essere effettuata da un elettricista qualificato...

Caratteristiche e prestazioni

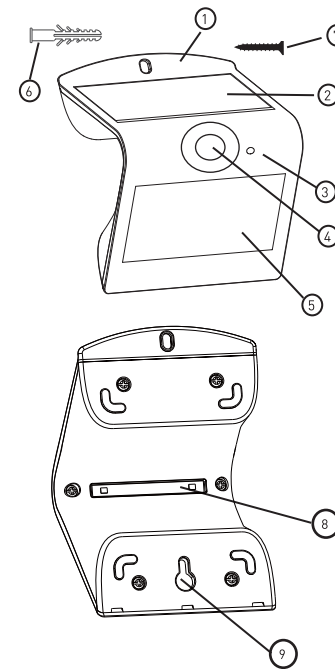
- La luce frontale e quella posteriore a tecnologia LED offrono un'illuminazione sia funzionale che d'ambiente
- Grado di protezione IP65, involucro robusto resistente agli urti



- Ideale per zone d'ingresso, balconi, percorsi/sentieri e come luce decorativa da giardino...

METODO D'INSTALLAZIONE SUGGERITO

- Scegliere una superficie piana ed esposta alla luce diretta del sole.
- Fare 2 fori di 6 mm nella posizione scelta ad un'altezza di 2-4 m da terra...



- 1 - Involucro del Solar Guardian
2 - Cella fotovoltaica in silicio monocristallino 0,7W
3 - On/Off
4 - Sensore di movimento PIR

HINWEIS 1 Die Leuchte leuchtet, wenn die Umgebungshelligkeit 30 Lux unterschreitet.

- Das Produkt ist mit einem integrierten Lithium-Akku ausgestattet.
- Die uneingeschränkte Akkukapazität und die Beleuchtungsdauer hängen von der Sonnenscheindauer und den Wetterbedingungen ab.

BETRIEBS-MODI

Wählen Sie den gewünschten Modus durch mehrfaches Drücken des An-/Aussschalters.

Modus B

Die Leuchte schaltet sich automatisch auf volle Helligkeitsleistung (220lm) EIN, wenn eine Bewegung in dem Erfassungsbereich von 6 Metern erkannt wird.

Garantiebestimmungen Für bestimmte Produkte gewährt Ihnen die Luceco GmbH eine erweiterte Herstellergarantie von 1 Jahr auf die Mangelfreiheit, Nutzbarkeit, Verarbeitbarkeit und die Haltbarkeit der verwendeten Materialien...

HINWEIS 1 Le produit est équipé d'une batterie au lithium interne ; ne la remplacez pas vous-même...

- Le produit est équipé d'une batterie au lithium interne ; ne la remplacez pas vous-même, ne la jetez pas avec les déchets ménagers et ne l'incinérerez pas.
- L'autonomie totale de la batterie et la durée d'éclairage dépendent de la durée d'ensoleillement et des conditions météorologiques.

MODE DE FONCTIONNEMENT

Pour sélectionner un mode, appuyez sur l'interrupteur marche/arrêt jusqu'à l'obtention du mode désiré.

Mode B

Le mode de luminosité maximale (220lm) s'active automatiquement lorsqu'un mouvement est détecté dans un rayon de 6 mètres, puis retourne en mode veille de nuit.

Garantie - Nos produits sont garantis contre tous vices de matériaux et de fabrication pendant une période de 1 an à compter de la date d'achat (sauf indication contraire).

HINWEIS 1 La luz se encenderá cuando el nivel de luz ambiente sea inferior a 30 lx.

- El producto está equipado con una batería interna de litio; no intente cambiarla y no la deseche con la basura doméstica ni la arroje al fuego.
- El tiempo de iluminación y la capacidad total de la batería dependen del clima y de la duración de la luz solar.

MODOS DE FUNCIONAMIENTO

Presione el botón de encendido hasta seleccionar el modo deseado.

Modo B

Se activa automáticamente el modo máx. potencia (220lm) cuando se detecta movimiento dentro de un rango de 6 metros y luego vuelve al modo de iluminación nocturna de espera.

Garantía para el Reino Unido Para la garantía en otros territorios y para más información, visite www.luceco.com.

HINWEIS 1 La lampada si accende quando la luminosità dell'ambiente è inferiore a 30 Lux.

- Il prodotto è dotato di una batteria interna al litio; non sostituirla da soli; non gettarla assieme ai rifiuti domestici o nel fuoco.
- La piena capacità della batteria e il tempo di illuminazione dipendono dalle ore di irraggiamento solare e dalle condizioni meteo.

MODALITÀ DI LAVORO

Selezionare premendo il pulsante di alimentazione fino alla modalità desiderata.

Modo B

La luce di luminosità massima (220lm) s'active automatiquement lorsqu'un mouvement est détecté dans un rayon de 6 mètres, puis retourne en mode veille de nuit.

Garantia per Regno Unito Per altri paesi e per ulteriori informazioni, consultate ww.luceco.com.