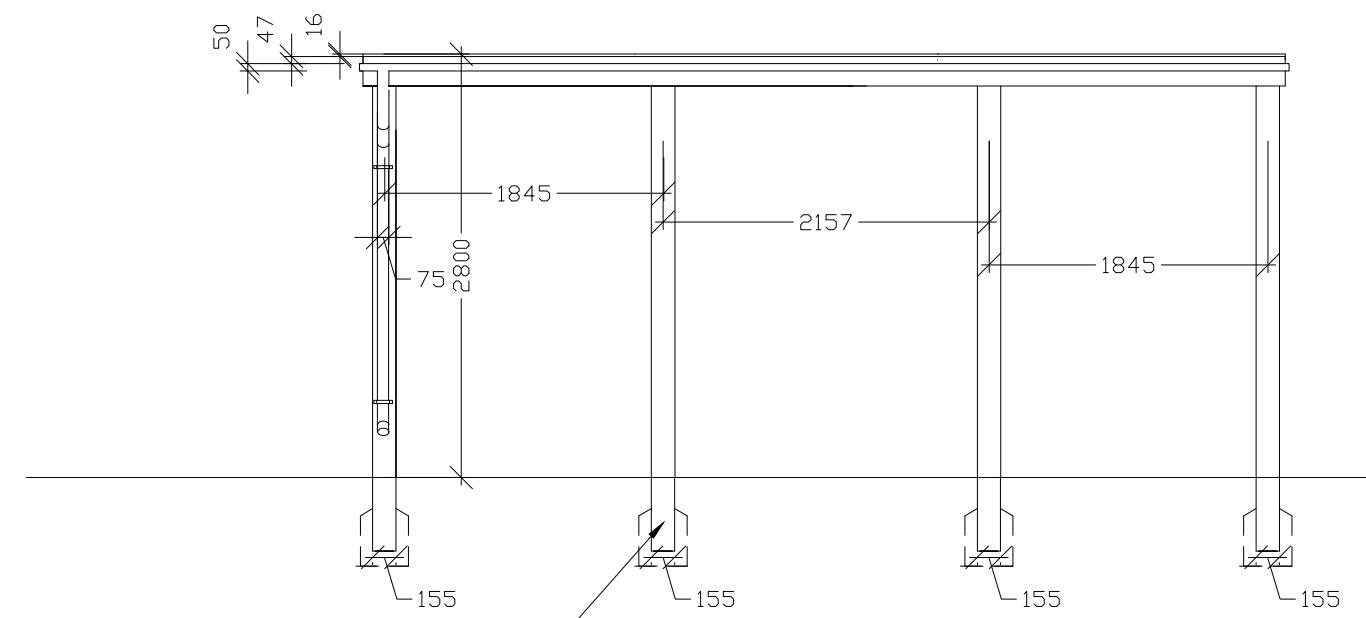


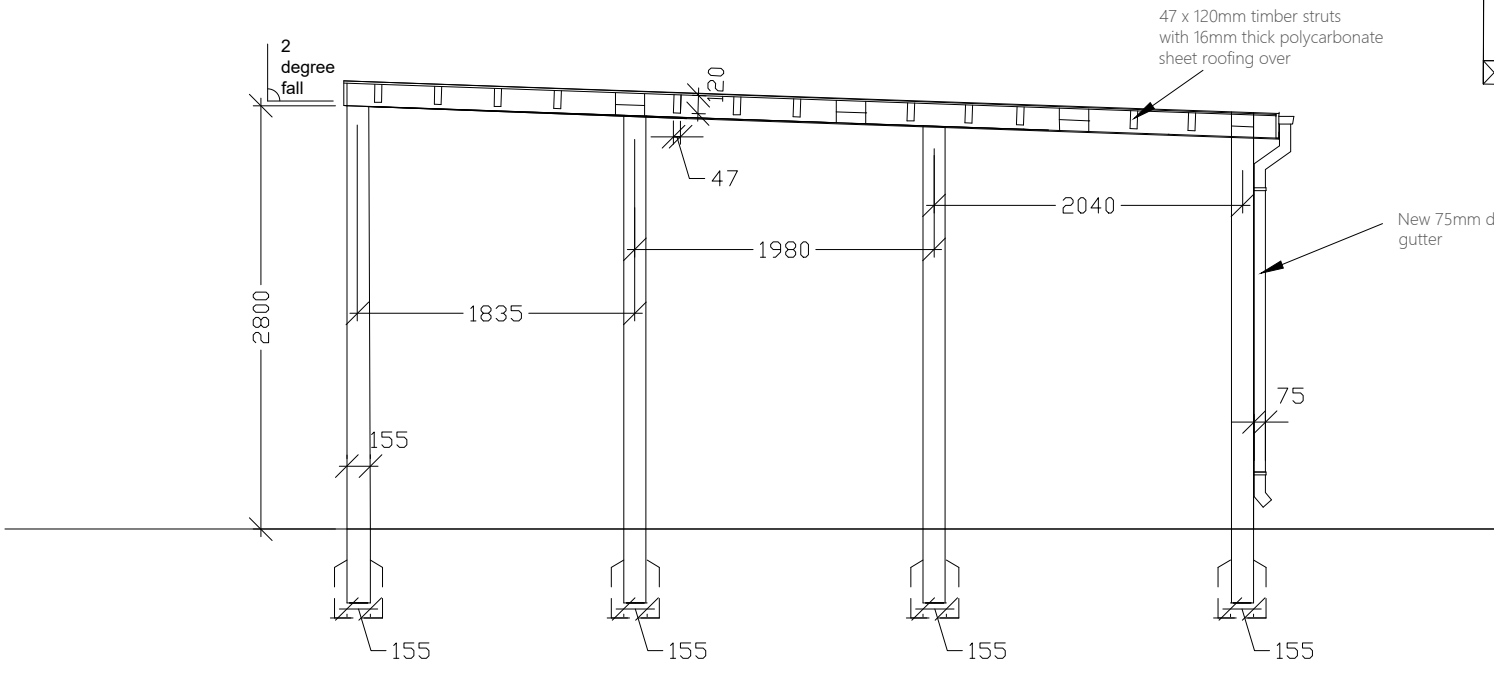
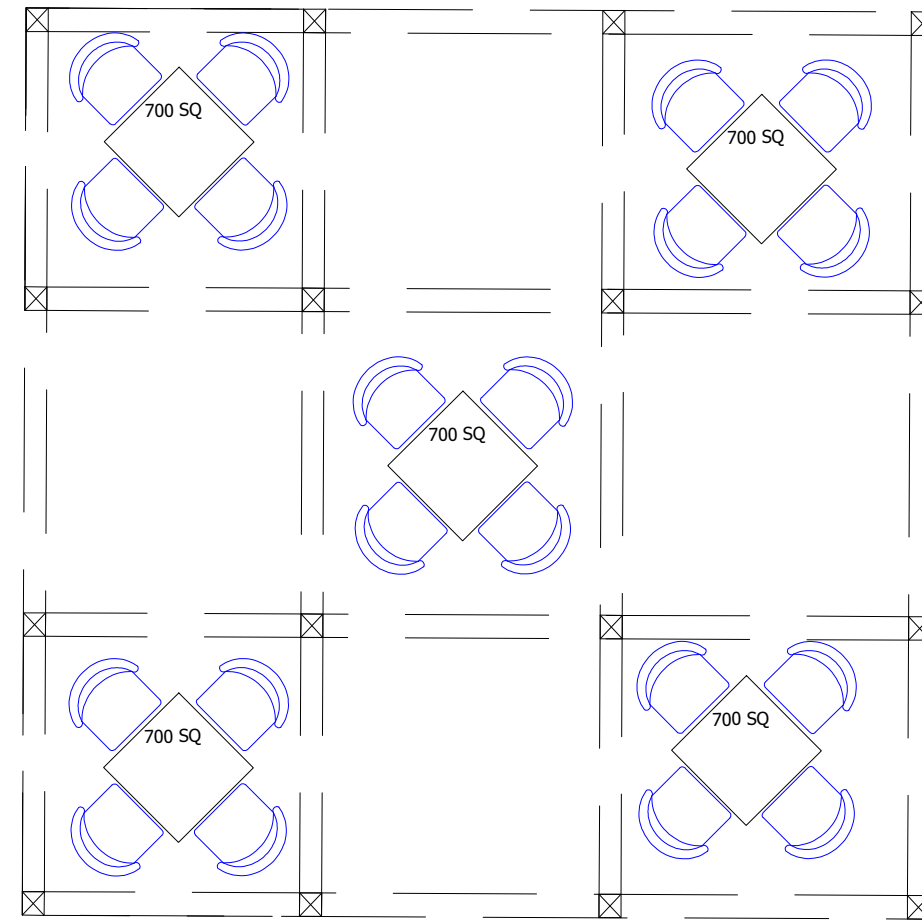
Copyright. This drawing and design and all the information contained therein is the sole copyright of Concept IDL and reproduction in any form is forbidden unless permission is obtained in writing.

CONTRACTORS PLEASE NOTE

- 1) Warning, no dimensions to be scaled from this drawing. All contractors to visit the site and be responsible for taking and checking all dimensions relative to this work. The designer must be advised of any discrepancies in writing.
- 2) This drawing must be read in conjunction with the specification / bill of quantities and related drawings. Any structural work must be carried out to the exact specification and requirements of the client's appointed structural engineer, and any amendments must have his express prior written authority.
- 3) All structural work must be inspected at all relevant stages by the structural engineer and the Local Authority's Building Surveyor and comply with their requirements. Any costs and claims for damages, loss of trade, etc. incurred by failing to do so are the sole liability of the contractor.
- 4) Any discrepancies between drawings and/or drawings and specification, should be reported to the designer prior to any work commencing.



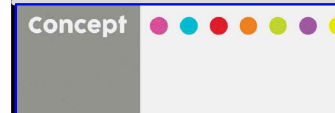
PERGOLA CONSTRUCTION NOTES:
 Pergola formed from 155 x 155mm s/w posts securely bedded into concrete surrounds, with 47 x 120mm cross struts at 400mm centres laid to a 2 degree fall. With 16mm thick clear polycarbonate roof securely fixed to framework, to fall into new upvc gutter and 75mm diameter downpipe.
 -2800mm overall height



Scaled @ 1:50



Date	Revisions	Ini.



Architecture - Interior Design - Project Management
 Suite 1, Sheffield Business Park Ltd
 Sheffield Business Centre, Europa Link
 Sheffield, S9 1XZ
 Tel: 01709 371170
 Email: office@concept-ides.co.uk
 Website: www.concept-ides.co.uk
 Facebook: www.facebook.com/conceptidl

Client
Stonegate

Job Title
The Old Ship Inn
 Main St, Lowdham
 Nottingham
 NG14 7BE

Drawing Title
Pergola Details

Scale 1:50 @ A1	Drawn By CLB
Date Jan .2024	Checked By
Dwg.no. 3425-15	Rev.