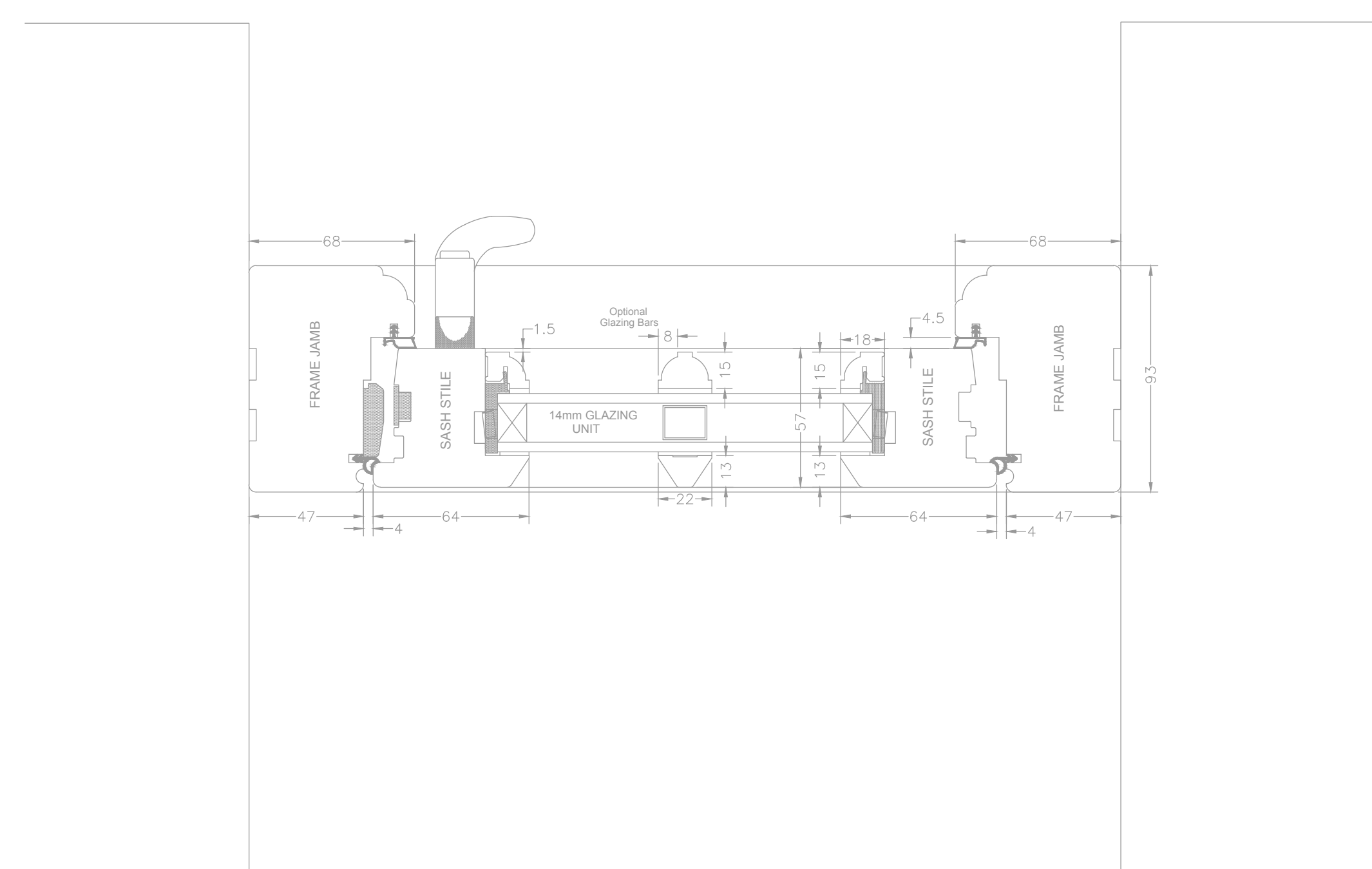
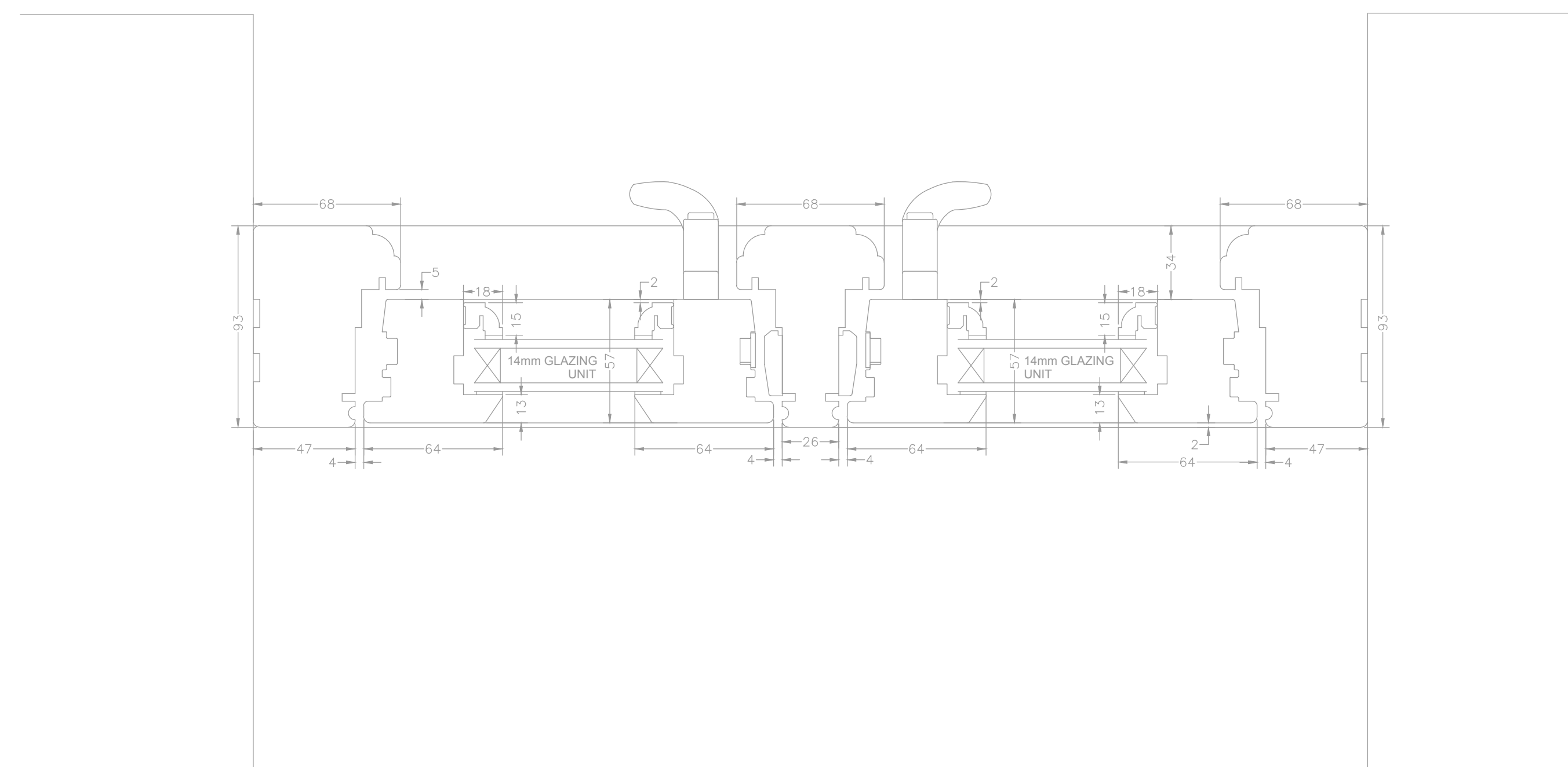


PROPOSED HEAD/CILL SECTION
SCALE 1:2



PROPOSED JAMB/BAR SECTION
SCALE 1:2



PROPOSED JAMB/MULLION SECTION
SCALE 1:2

