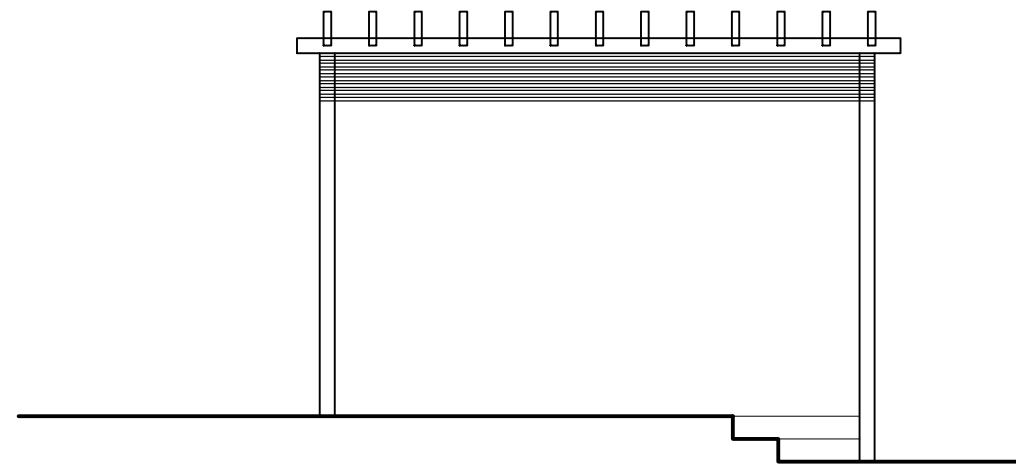
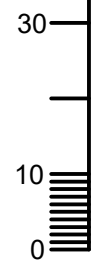
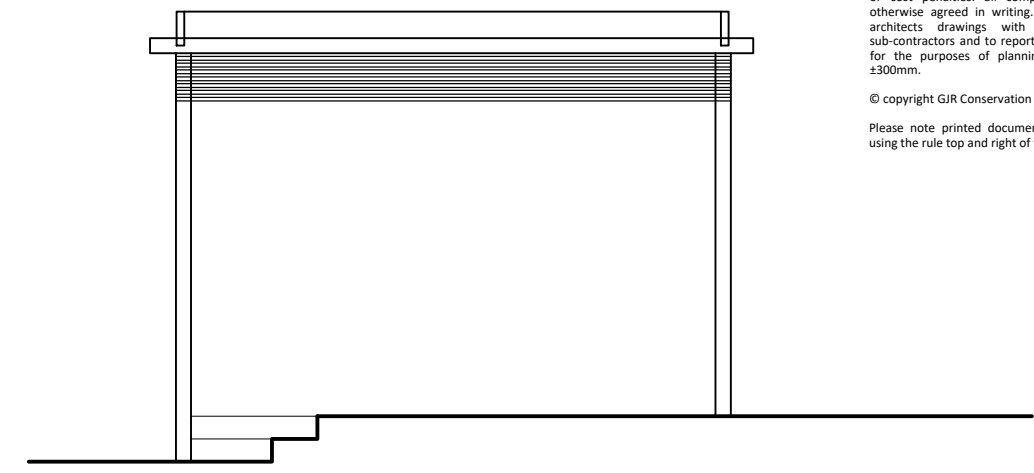


notes:  
 This document should not be relied on or used in circumstances other than those for which it was originally prepared and for which GJR Conservation Ltd was commissioned. GJR Conservation Ltd accepts no responsibility for this document to any party other than the person by whom it was commissioned. do not scale the drawing, use dimensions only, if in doubt ask for further information prior to incurring any time or cost penalties. all components to be site measured unless otherwise agreed in writing. the contractor is to cross check the architects drawings with those of other consultants and sub-contractors and to report any discrepancies prior to proceeding. for the purposes of planning drawings only all floor levels are ±300mm.

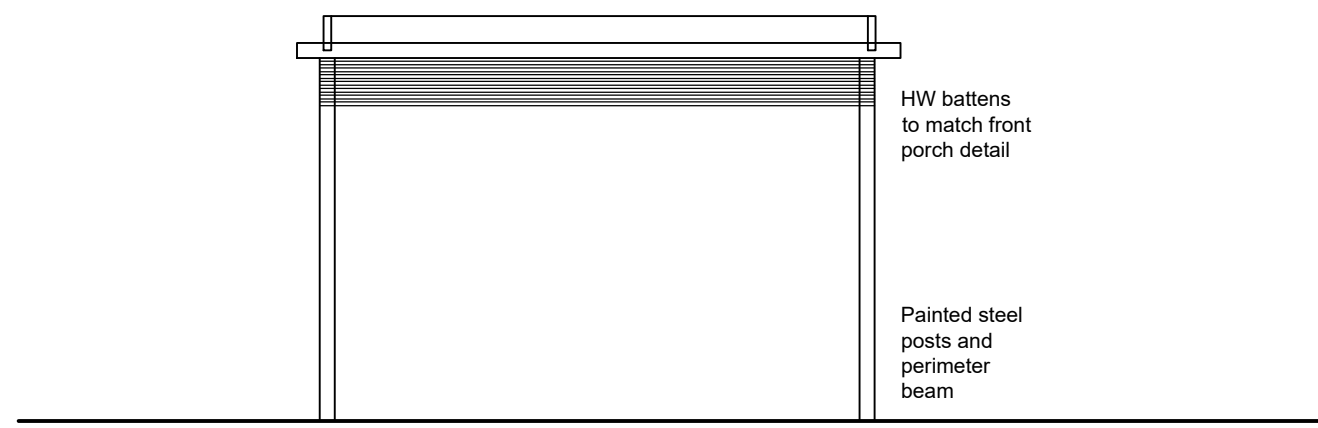
© copyright GJR Conservation Ltd  
 Please note printed documents stretch. Check the paper /pdf size using the rule top and right of this note:



ELEVATION 3



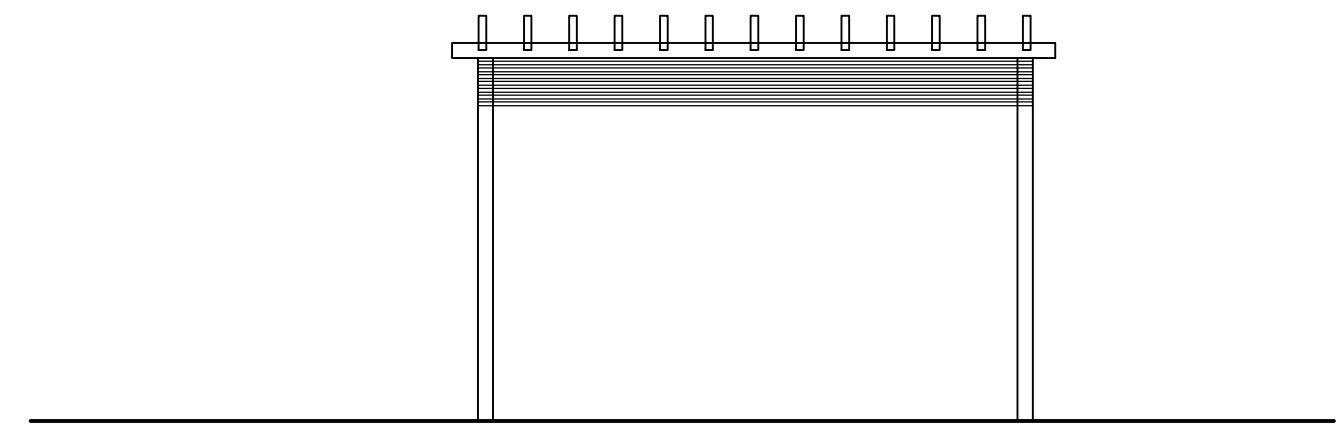
ELEVATION 2



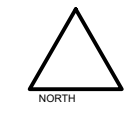
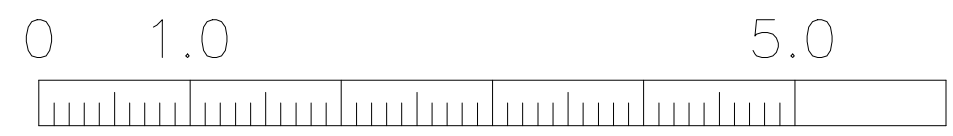
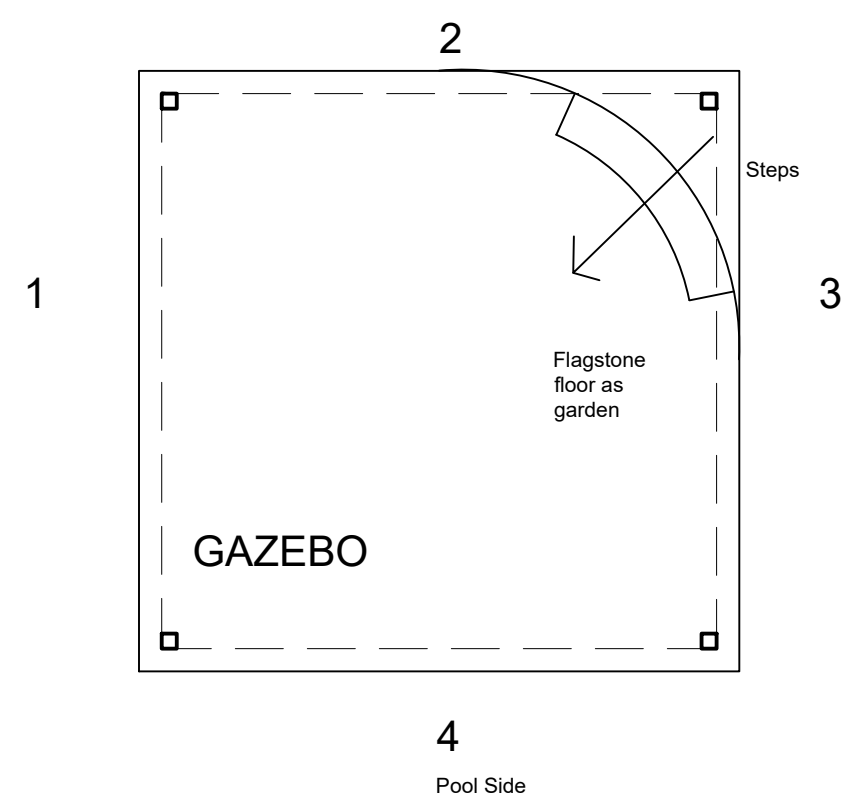
ELEVATION 4

HW battens to match front porch detail

Painted steel posts and perimeter beam



ELEVATION 1



Rev Detail: REVISION INFO	
Issued for: COMMENT	
Client:	MR AND MRS BANKS
Project:	GARAGE AND GARDEN
Title:	GAZEBO
Dwg:	172C-10
Rev:	B
Scale:	1:50
Dwn:	PM
Date:	NOV 2023
Ckd:	xx
<b>gjr conservation architects ltd</b> THE ANNEXE, WEST RILL, MARWOOD ROAD, AYLESBEARE, EXETER EX5 2BW 07813113075 a.ringe@gjrconservation.co.uk 07813113076 s.john@gjrconservation.co.uk	

gjr conservation.