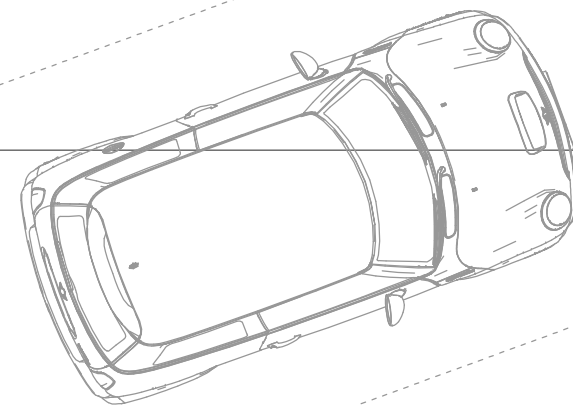
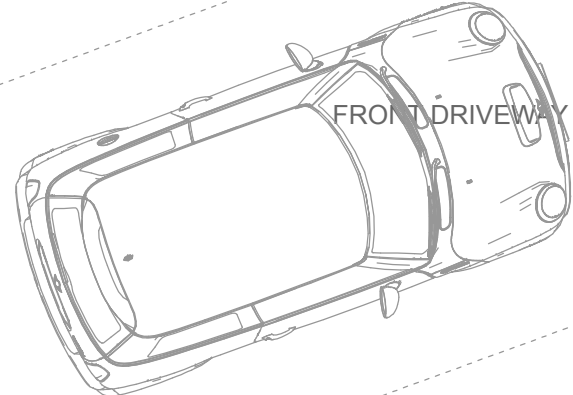
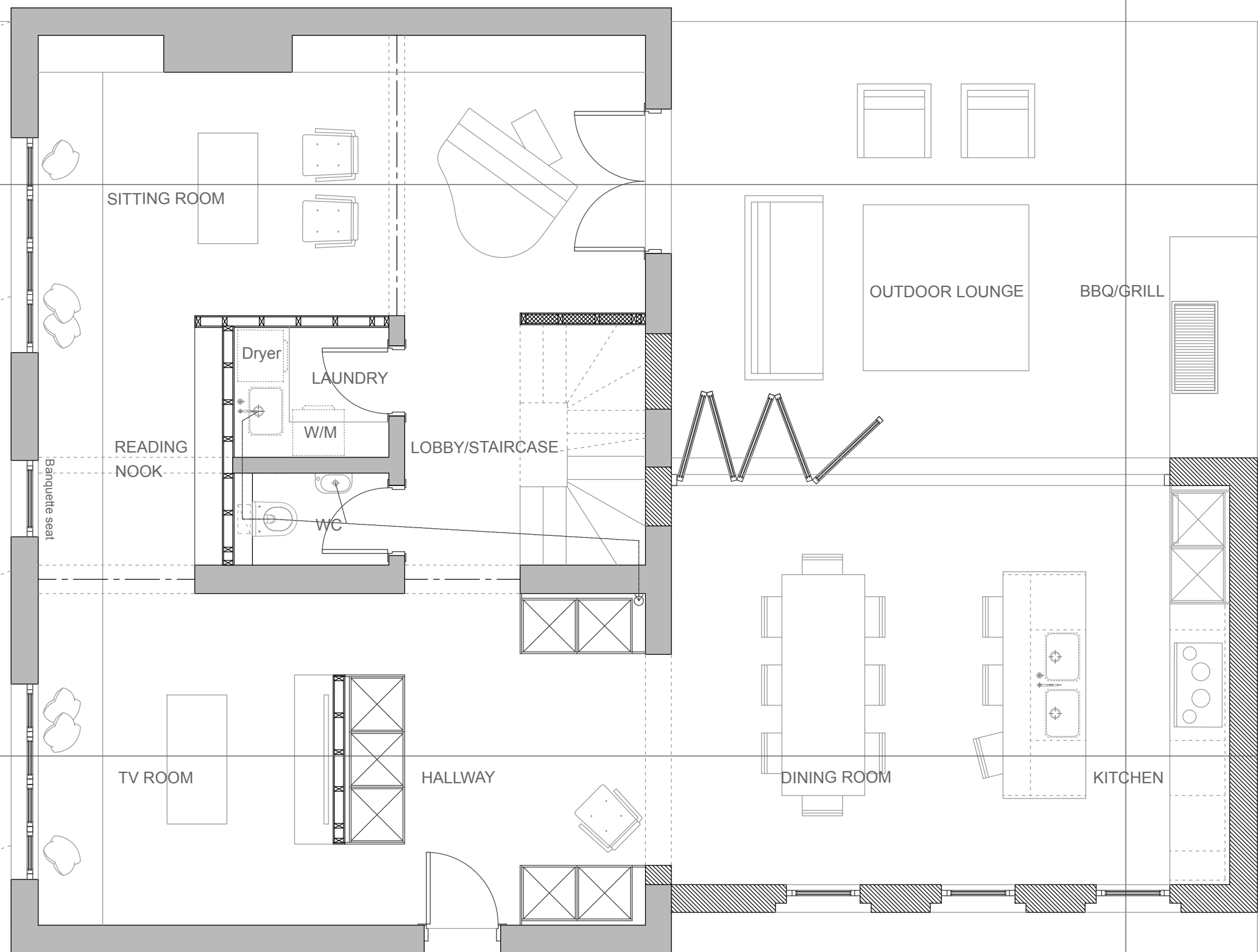


6.362



FRONT DRIVEWAY

Banquette seat

SITTING ROOM

READING NOOK

TV ROOM

Dryer

LAUNDRY

W/M

WC

LOBBY/STAIRCASE

HALLWAY

DINING ROOM

KITCHEN

OUTDOOR LOUNGE

BBQ/GRILL

4.935

5m

2m

1m

0



Notes:

Site address: 126 Oxford Road
Aylesbury HP17 8PT

Drawing no: 126OR/010C
Title: Proposed ground floor plan - OPTION C
Scale: 1:50 @ A3

Designer: Mathieu Jouanneau
26C Montpelier Grove
London NW5 2XD

Date: 27th November 2023

Phone: 07854240592