

KEY

- Soft landscaping to Landscape Architects design.
- Macadam footpath surface - refer the Structural Engineers proposal
- Macadam car park spec - refer to Structural Engineers proposal. Allow for full build up and required. Attenuation requirement to be confirmed by the S.E.
- Macadam HGV spec. - refer to Structural Engineers proposal.
- New concrete service yard with brushed finish to Structural Engineers details. Including sub-station base and condenser hard standing areas. Concrete to be suitable for HGV use and tight manoeuvres
- Marshalls keyblok paving, laid in Herringbone pattern, vibrated after laying on sub-base built up in accordance with Marshalls design guide and the Engineer's details. Pavours laid around the building should be laid with a cross fall away from the building. Colour - Burnt Ochre
- Dropped kerb and tactile paving.
- 2400mm high Heras Zenith powder coated weld mesh fence and posts with matching gates. Securely fixed with base angle as detail. Colour grey - RAL 7012.
- 3000mm high Heras Zenith powder coated weld mesh fence and posts with matching gates. Securely fixed with base angle as detail. Colour grey - RAL 7012.
- The fencing to the perimeter of the garden centre and holding area to be as SR2 specification. Double layer of mesh from Ground level to 2518mm high, installed at 90 degrees to the 4200mm panel. Fence to meet Home Bargains requirement and the manufactures specification. Securely fixed with base angle as detail.
- 600mm High treated timber knee rail.
- Red Line Site Boundary.
- Proposed levels

FOR EXTERNAL LEVEL DETAILS REFER TO STRUCTURAL ENGINEERS DRAWINGS & INFORMATION

FOR LIGHTING DESIGN AND LAYOUT INFORMATION REFER TO WPL ELECTRICAL DRAWINGS, FOR SPRINKLER TANK AND PUMP HOUSE DETAILS REFER TO WPL MECHANICAL DRAWINGS

Refer to WPL drawing STD10 for all external works standard details.

EXISTING LANDSCAPING

- Contractor to allow to remove all Invasive Species as detailed on the Invasive Species Report, in accordance with the requirements for removal.
- Contractor to remove any undiscovered invasive non-native plants if uncovered during the works.
- As noted within report cotoneaster / field horsetail to be fully eradicated as recommended within the report.

ALLOW FOR RE-GRADING FULL CAR PARK. REFER TO STRUCTURAL ENGINEERS DRAWINGS FOR LEVELS TO BE ACHIEVED.

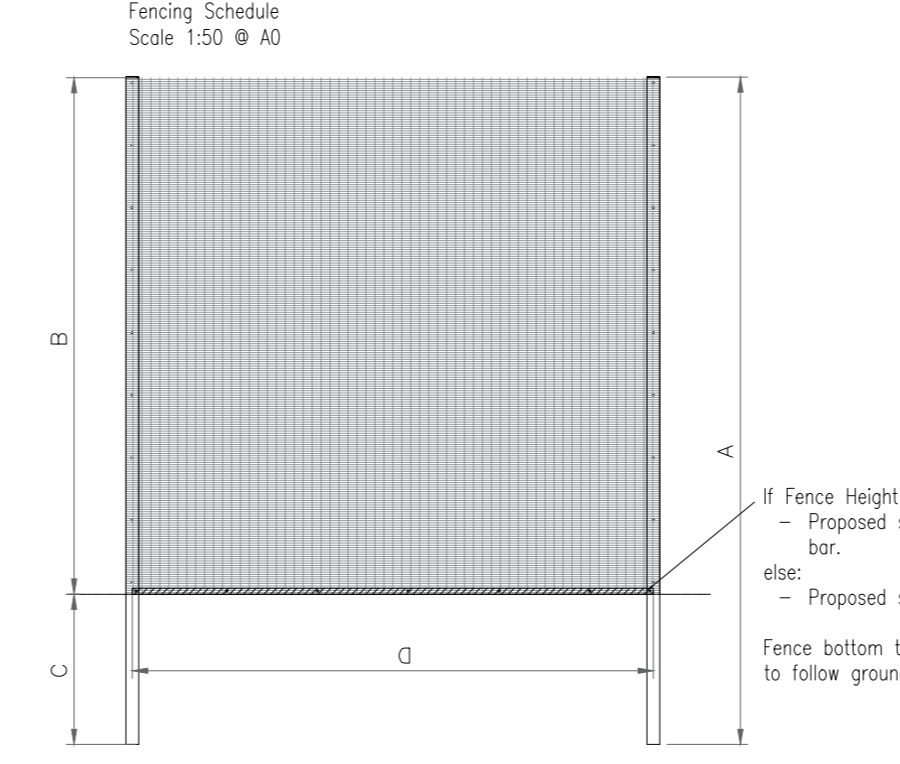
NB: All channel drainage grating to be heel guard type to all areas.

Undertake all drainage repairs to full site as confirmed within the Structural Engineers package and the drainage survey report

The contractor shall supply & install a full lighting protection system comprising of low level bonds from steelwork columns. Low level bonds shall connect to inspection chamber.

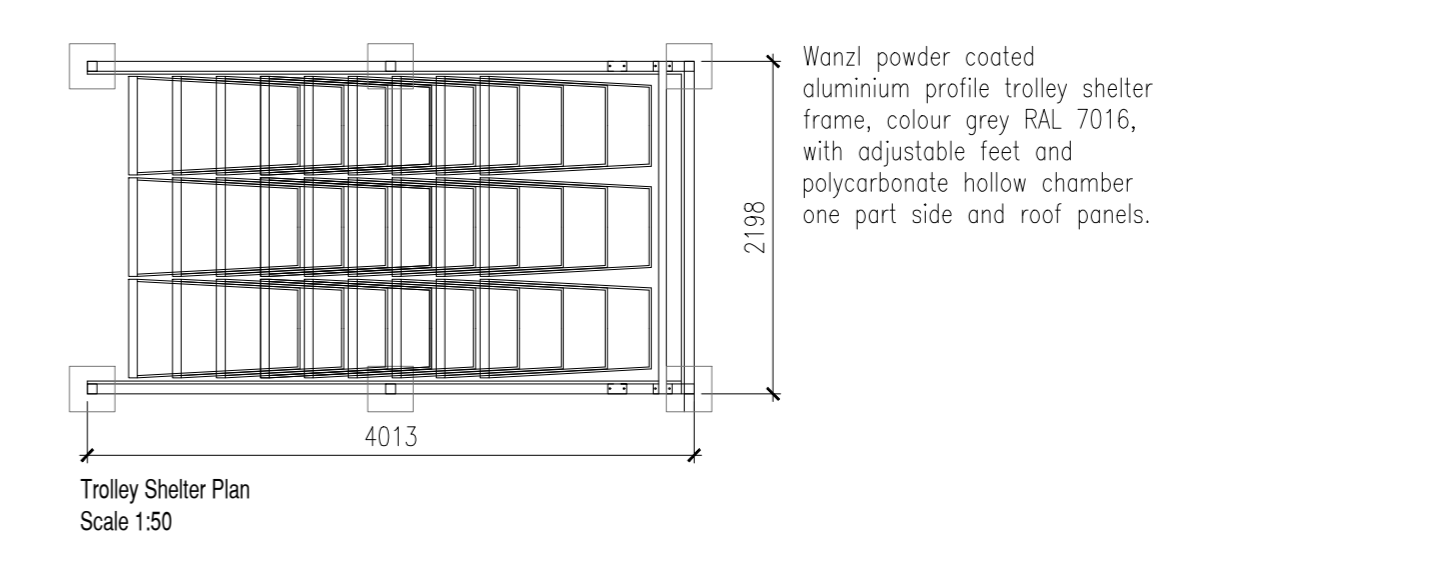
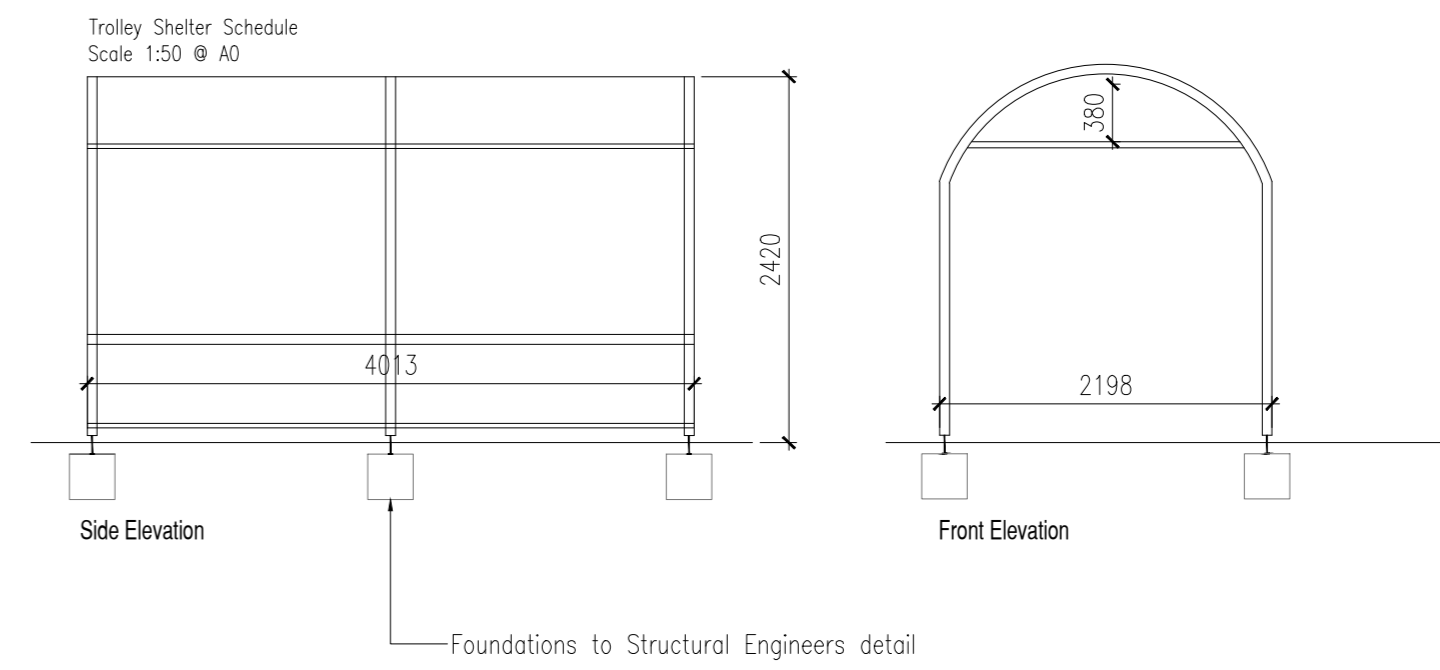
For full details & scope of works, please refer to M&E consultants information & drawings.

ENSURE PUMP HOUSE HAS 25MM SCREED INTERNALLY TO PREVENT WATER INGRESS.



Fence Specification					
Fence Height	A	B	C	D	No. of Fittings Post spec
33m	4000	3000	3000	2440	11 80x60x100
42m	5100	4100	3000	2440	15 80x60x100

Heras Zenith 358 Weld Mesh Fence



home bargains
TOP BRANDS - BOTTOM PRICES

CONSTRUCTION

E 16/03/2021 C 26/03/2021 B 14/07/2021 A 08/04/2022 REV. DATE	R20x6 and zap on retained, gutter pipe amended 400 EVC installed near substation - 300x4 knee-walk Finish sheet support updated Mesh top removed to SR2 Openings positions amended to Unit C AMENDMENT
---	---

WPL Consulting LLP
 1 Airport West | Lancaster Way Leeds LS19 7ZA
 Tel: 0113 202 8444 Fax: 0113 202 9333
 E-mail: mail@wplconsulting.co.uk

PROJECT TITLE		
Site Development Plymouth Road (B3416) Plymouth PL7 4JP For Home Bargains		
DRAWING TITLE		
Proposed Site Plan		
PROJECT No:	DRAWING No:	REVISION:
0263	214	E
SCALE:	DATE:	DRAWN BY:
1:500 @ A0	Nov 2022	MNO
CHECKED BY:	DATE:	