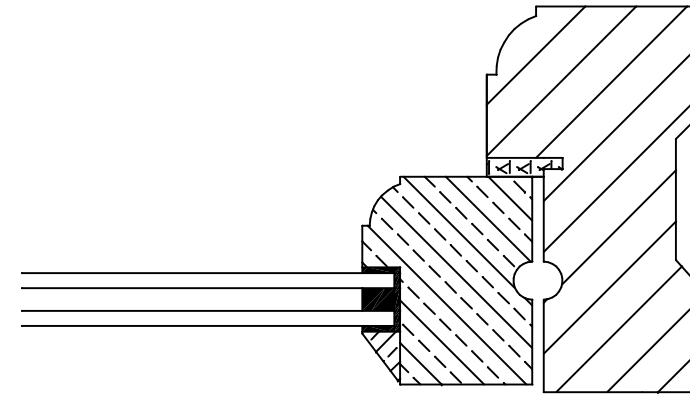
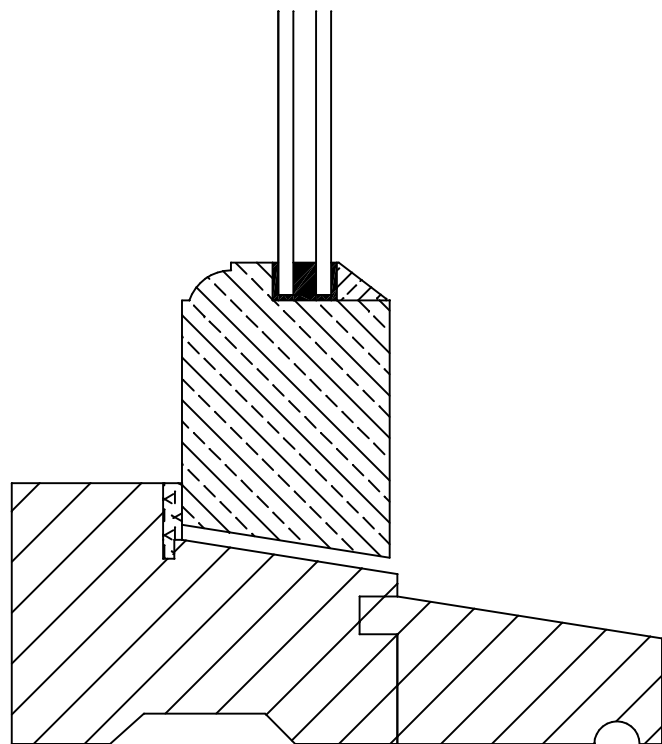


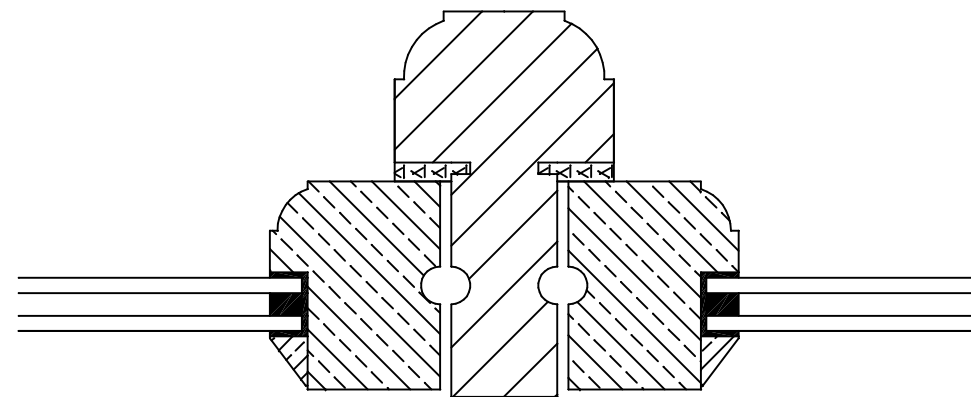
Proposed Head & Top Rail Sections



Proposed Jamb & Stile Sections



Proposed Sill & Bottom Rail Sections



Proposed Mullion & Stile Sections

Client: Mr N & Mrs J Ostler	Title: Listed Building Consent Application Drawing
Job / Address: Oak Cottage, Cheneys Lane, Tacolneston, Norfolk, NR16 1DB	Details: Proposed sections for the replacement windows. Manufactured in Idigbo Hardwood with 4-8-4 Slimline double glazing. Applied leadwork to match existing. Finished in a Light Oak Stain to match existing. Black monkeytail fittings to be used.
Drawn By: DRC	Drawing No: OST-02-A
Date: 10/01/2024	
Scale: 1:5 @A3	

Harleston Joinery Ltd.
Craftsmen in wood

2a Fuller Road
Harleston
Norfolk
IP20 9EA
Tel/Fax: (01379) 853084
Email: info@harlestonjoinery.co.uk