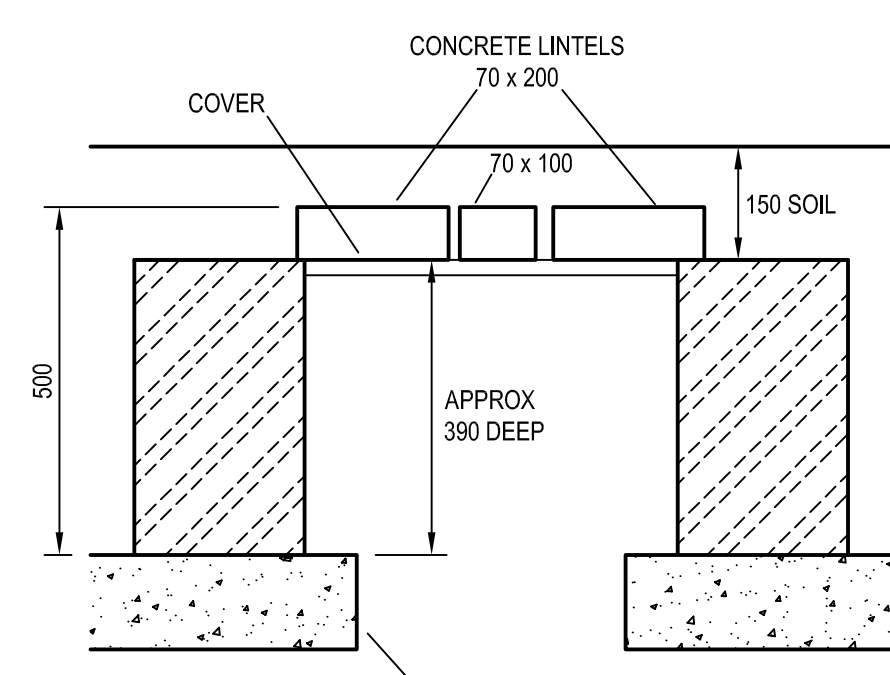


SECTION C - C
SCALE 1:10

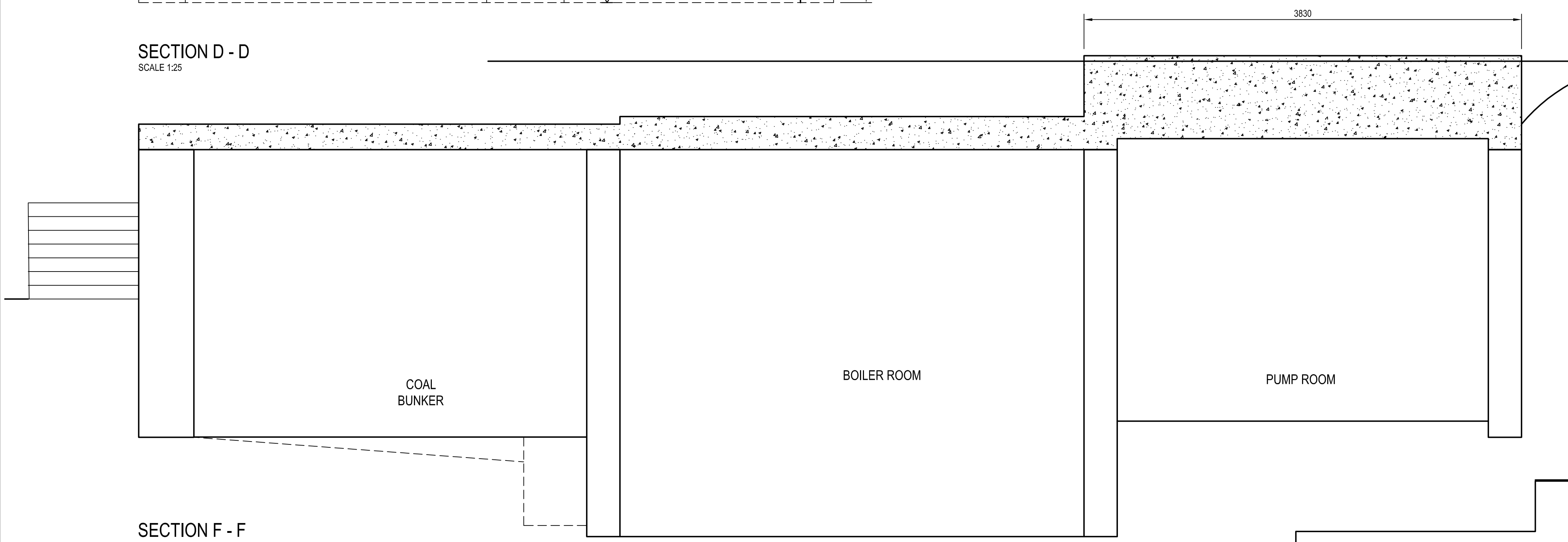
KEY TO WALL NOTATION

- ↔ 2 = WIDTH OF CRACK IN mm AND DIRECTION OF DISPLACEMENT
- ↕ = SHEAR DISPLACEMENT
- ⊙ = DISPLACEMENT INTO PLANE OF PAPER (TAIL OF DART)
- ⊙ = DISPLACEMENT OUT OF PLANE OF PAPER (HEAD OF DART)
- TT = OLD TELL TALE CRACK
- HL = HAIRLINE CRACK
- U/S = UPSTAND

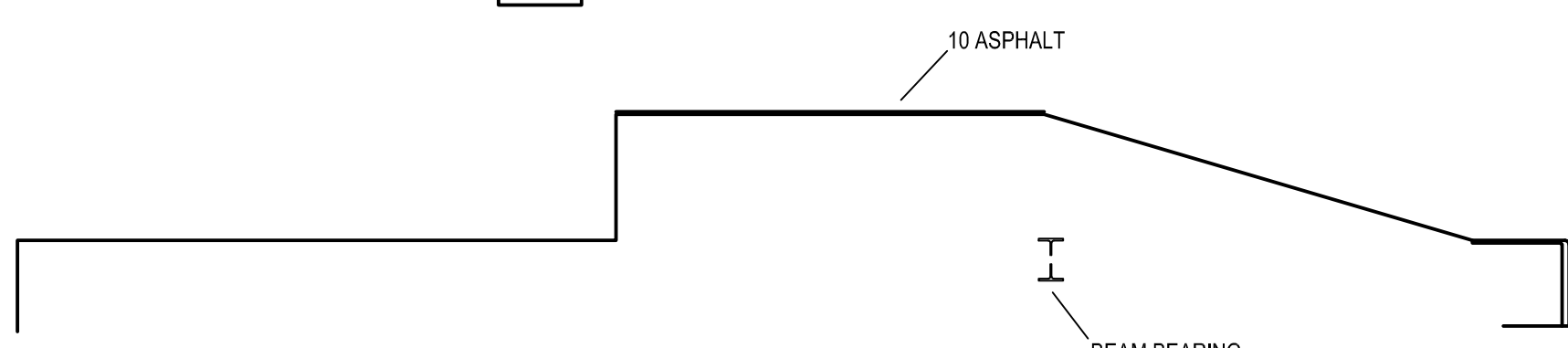
SECTION D - D
SCALE 1:25



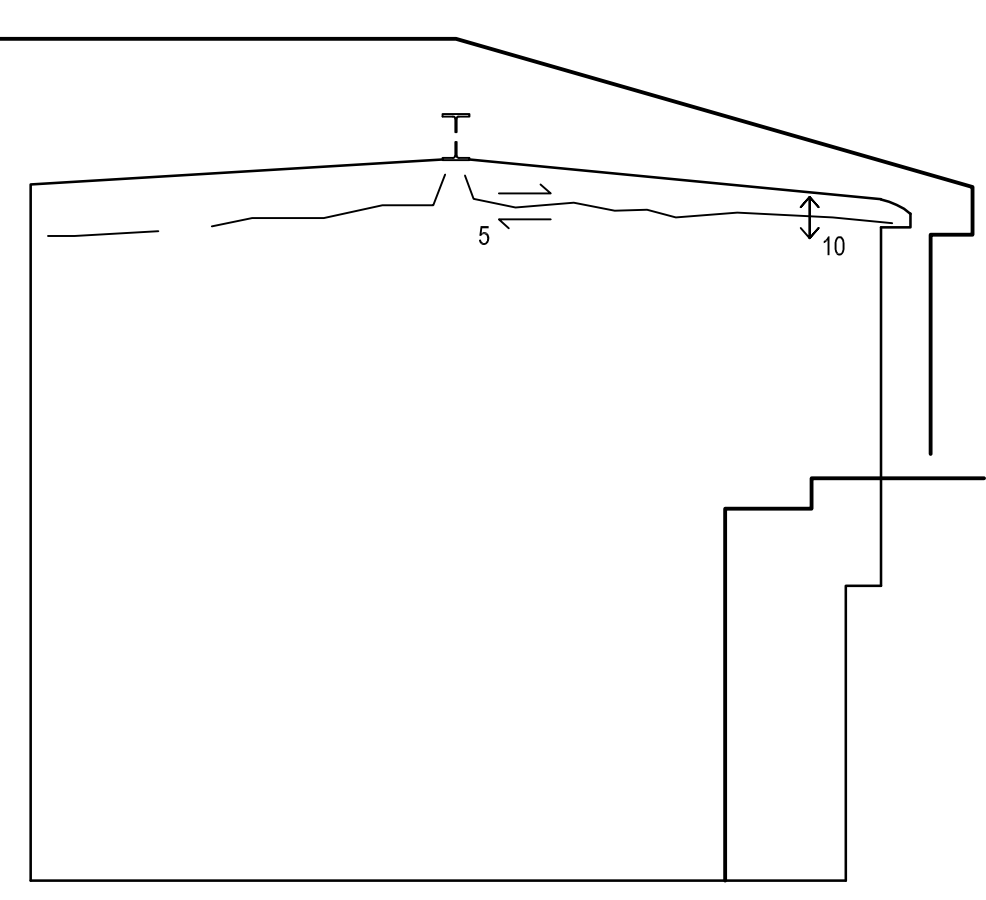
'P3'
SECTION E - E
SCALE 1:10



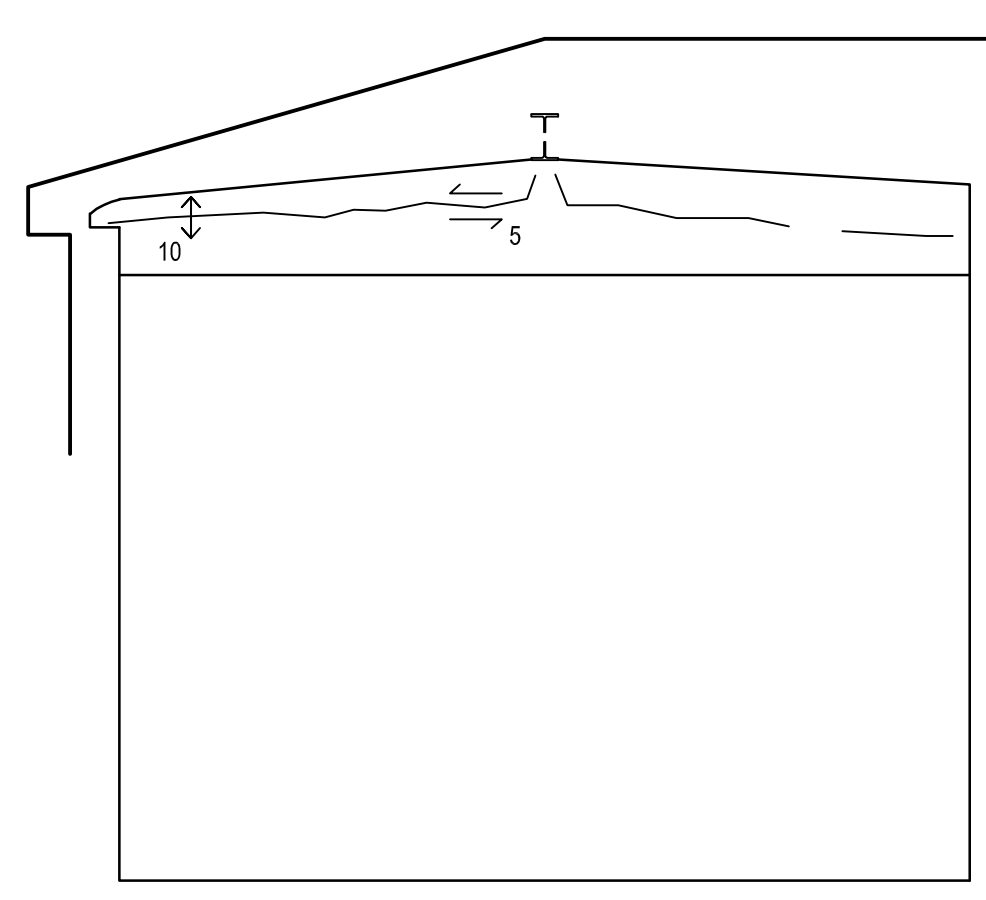
SECTION F - F
SCALE 1:25



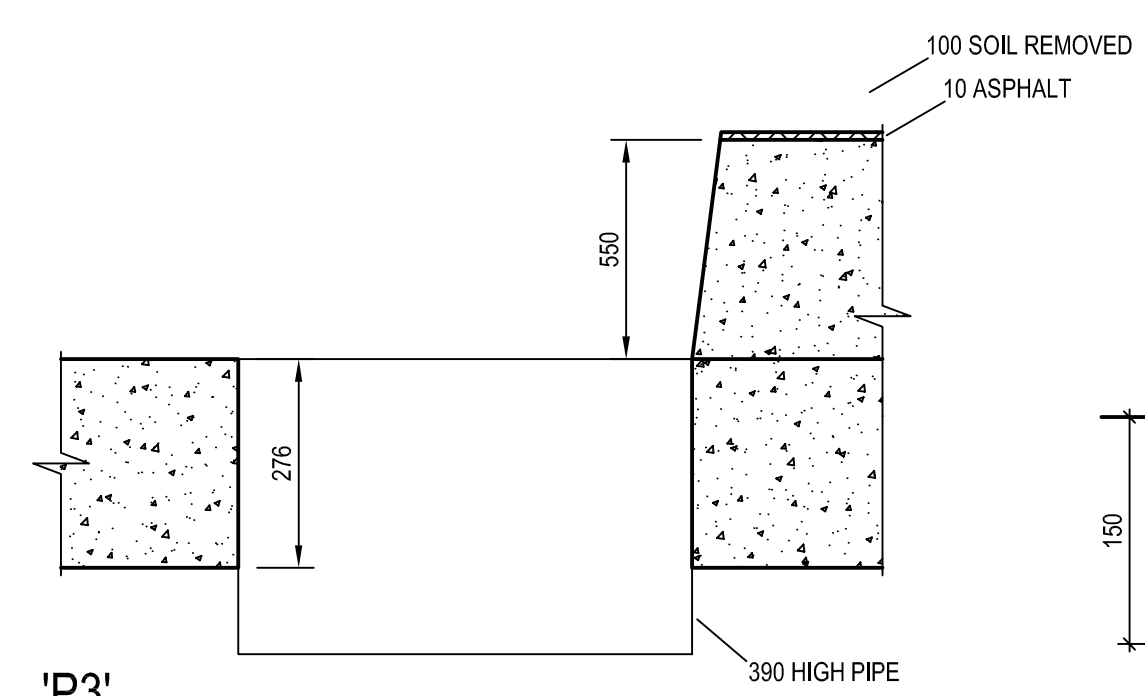
SECTION X - X 'P3'
SCALE 1:25



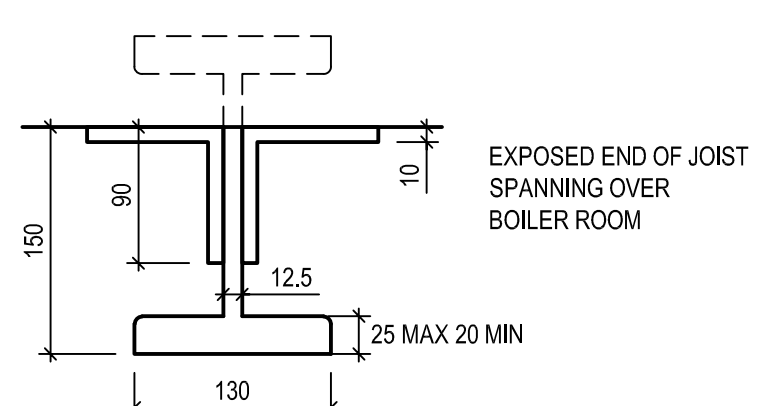
'P3'
ELEVATION A - A
SCALE 1:25



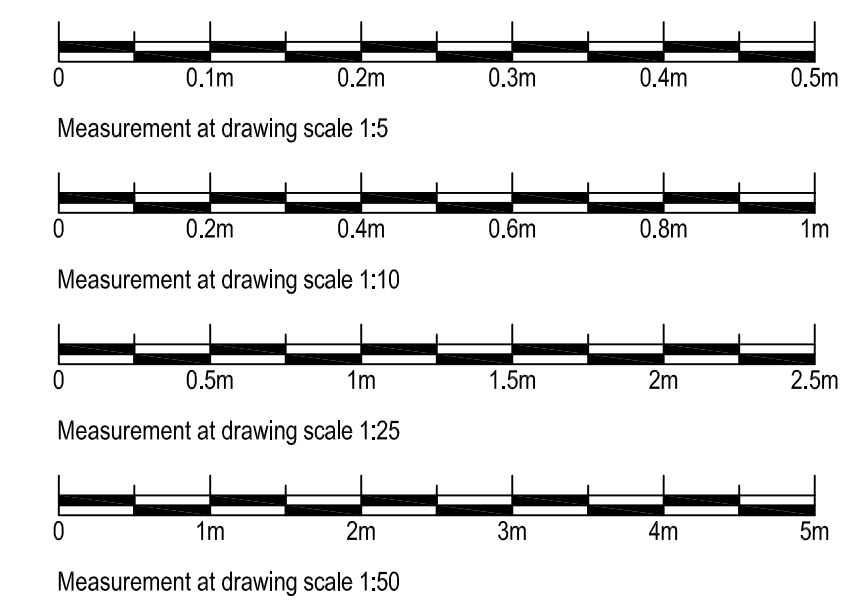
'P3'
ELEVATION B - B
SCALE 1:25



'P3'
SECTION Y - Y
SCALE 1:10



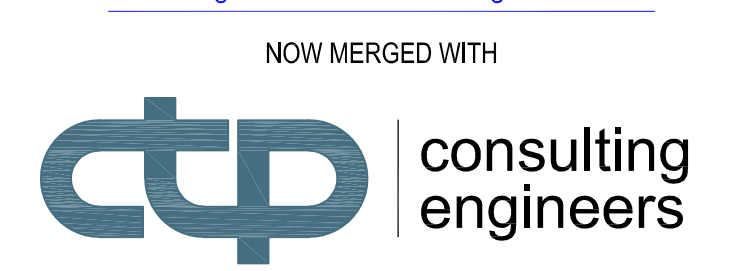
SECTION Z - Z
SCALE 1:5



ACA JOB No 1617

PRELIMINARY

P3	14.8.23	JB	Minor amendments as 'P3'
P2	23.6.23	JB	Minor amendments as 'P2'
P1	30.11.21	JB	Preliminary issue (3rd inspection)
Rev	Date	Drawn	Amendment



Suffolk House 154 High Street
Sevenoaks Kent TN13 1XE UK
UK: +44 (0)1732 740195
www.ctp-llp.com

Job
Swimming Pool Pumping Station
Chartwell
Westerham
TN16 6PS

Description
Pumping Station Sections

Scale	1:50 1:25 1:10 1:5 at A1		
Drawn	JB	Checked	AC
Date	Oct 2021	Dwg No	A9514 / 3 P3