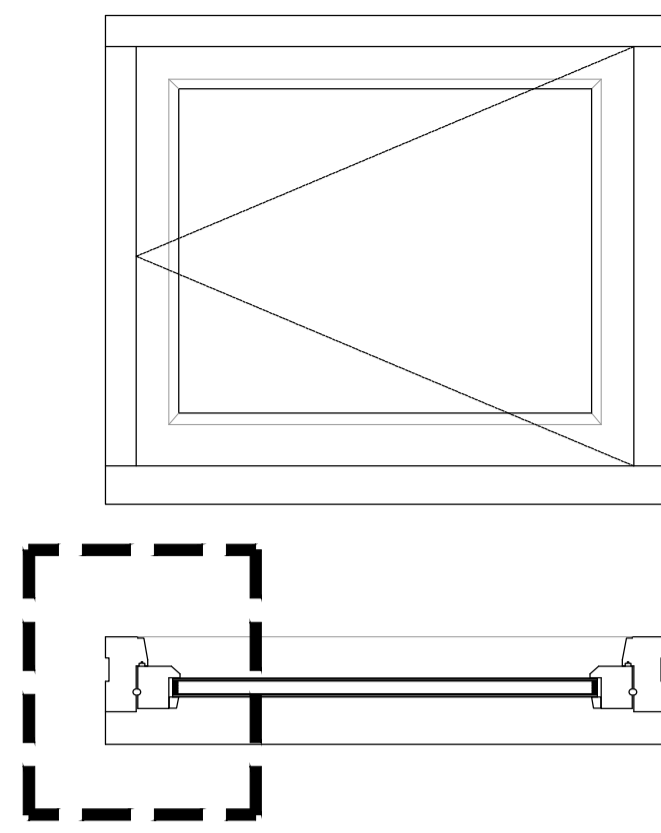
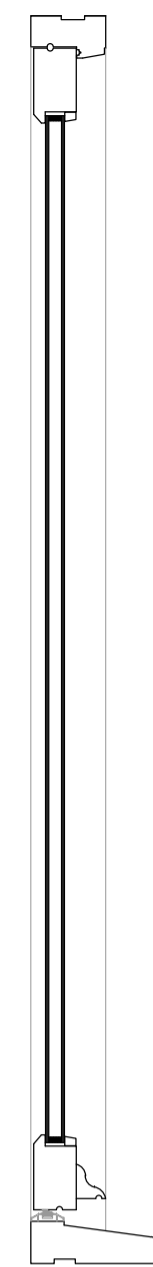
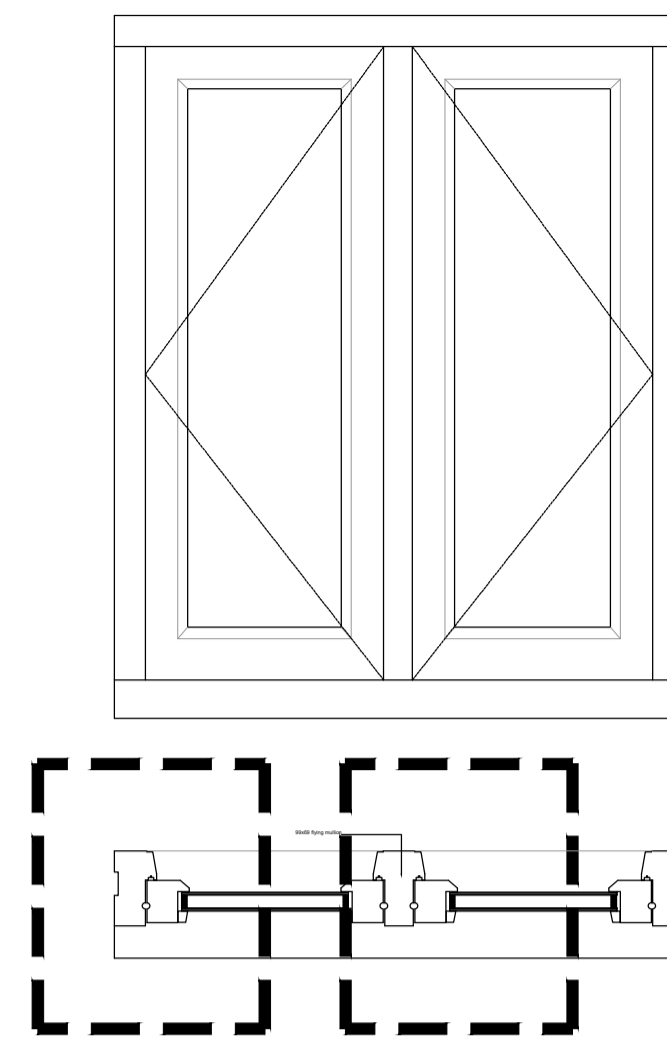
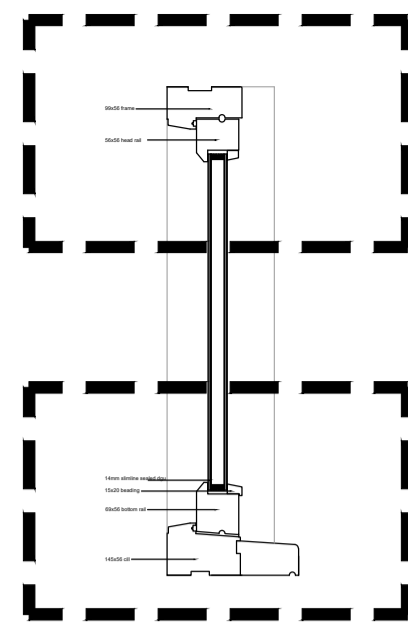
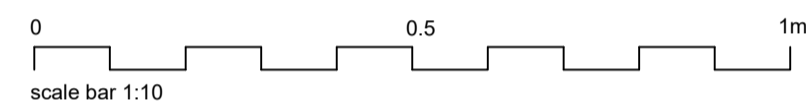


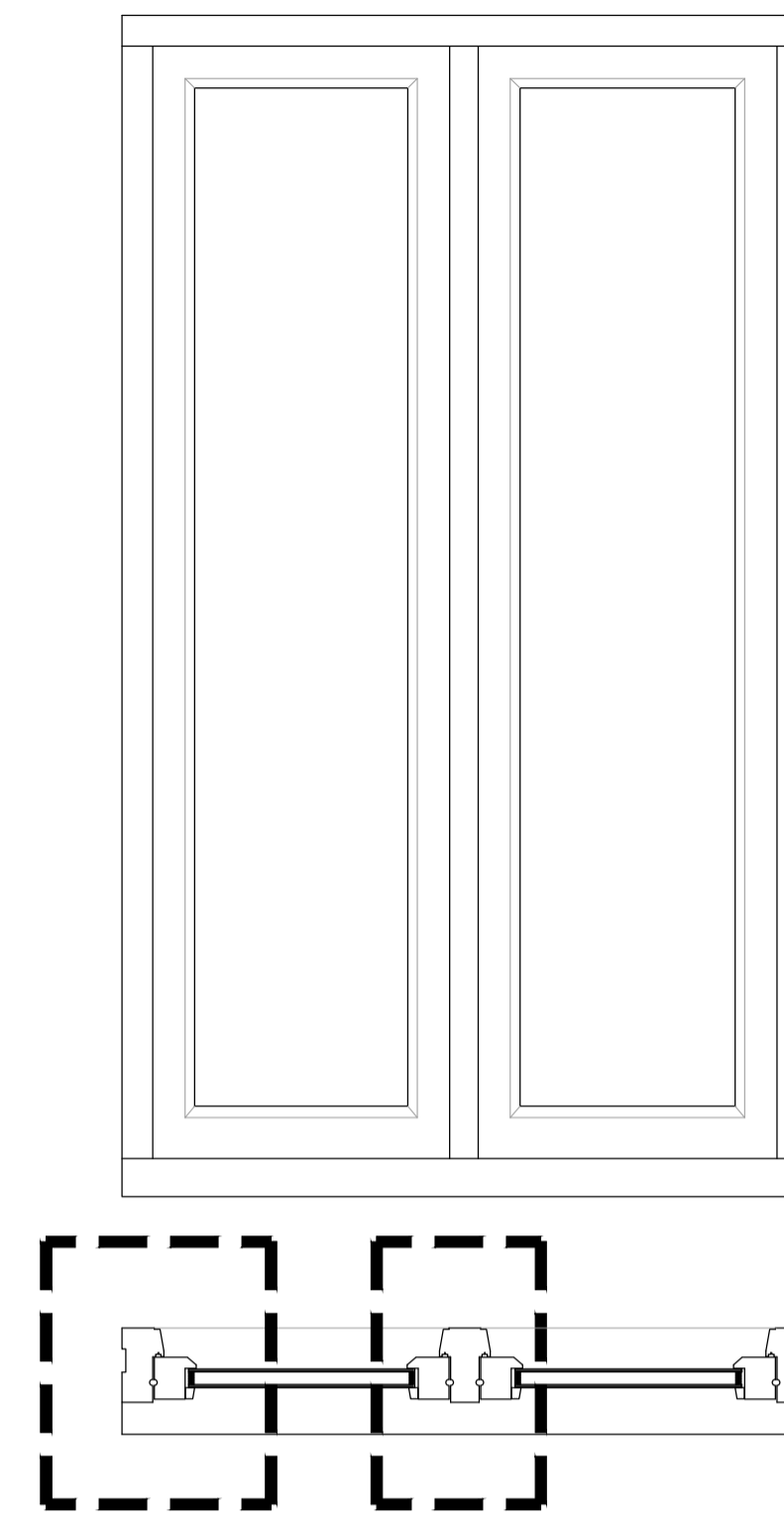
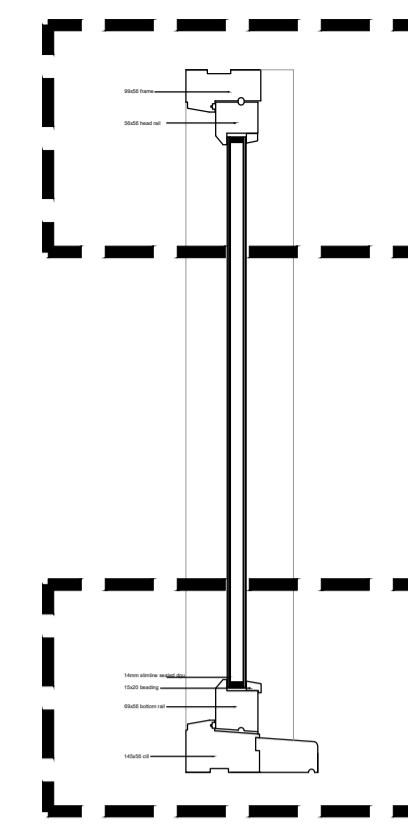
Front Door 1:10
contractor to work to site dimensions



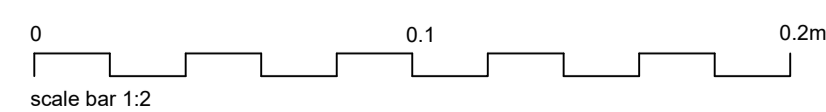
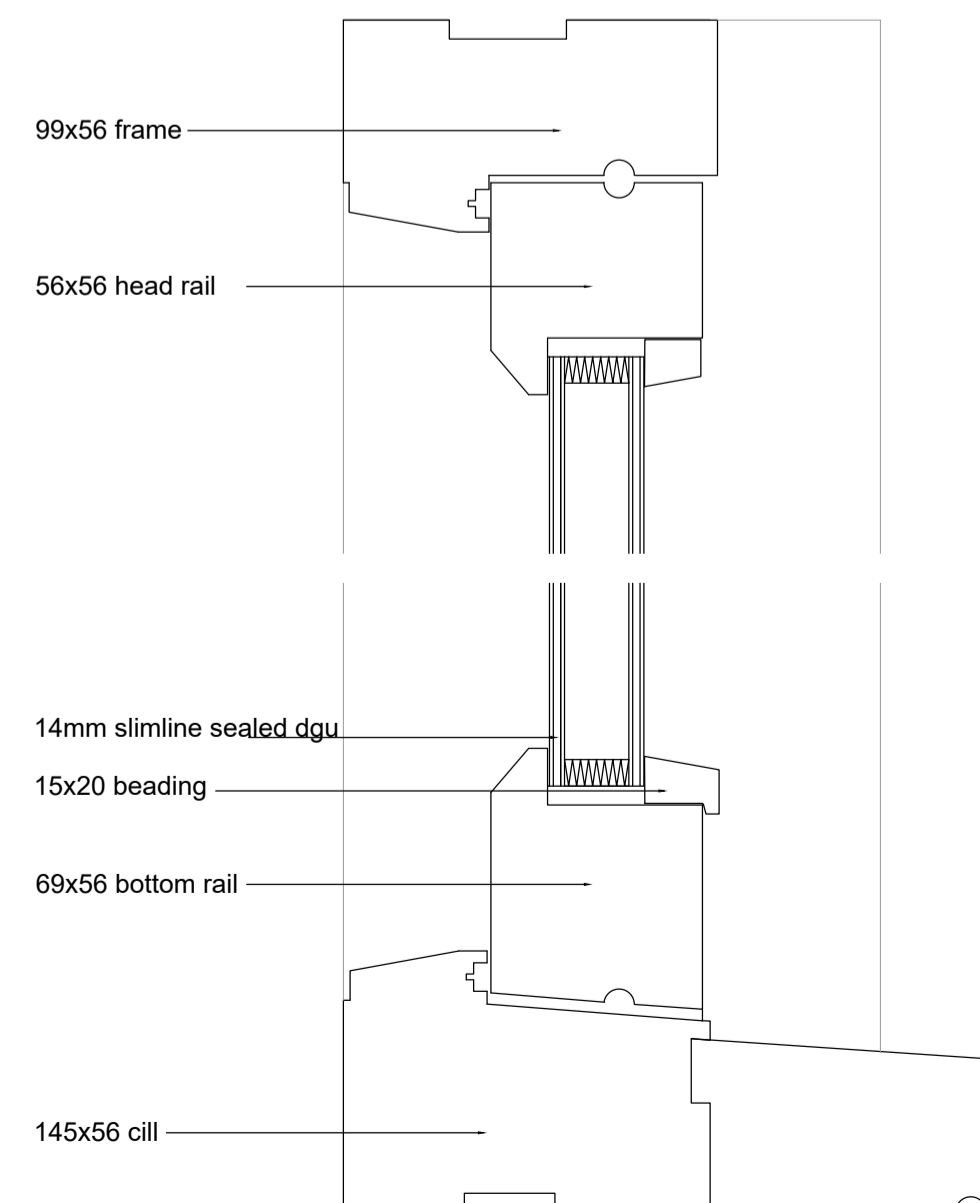
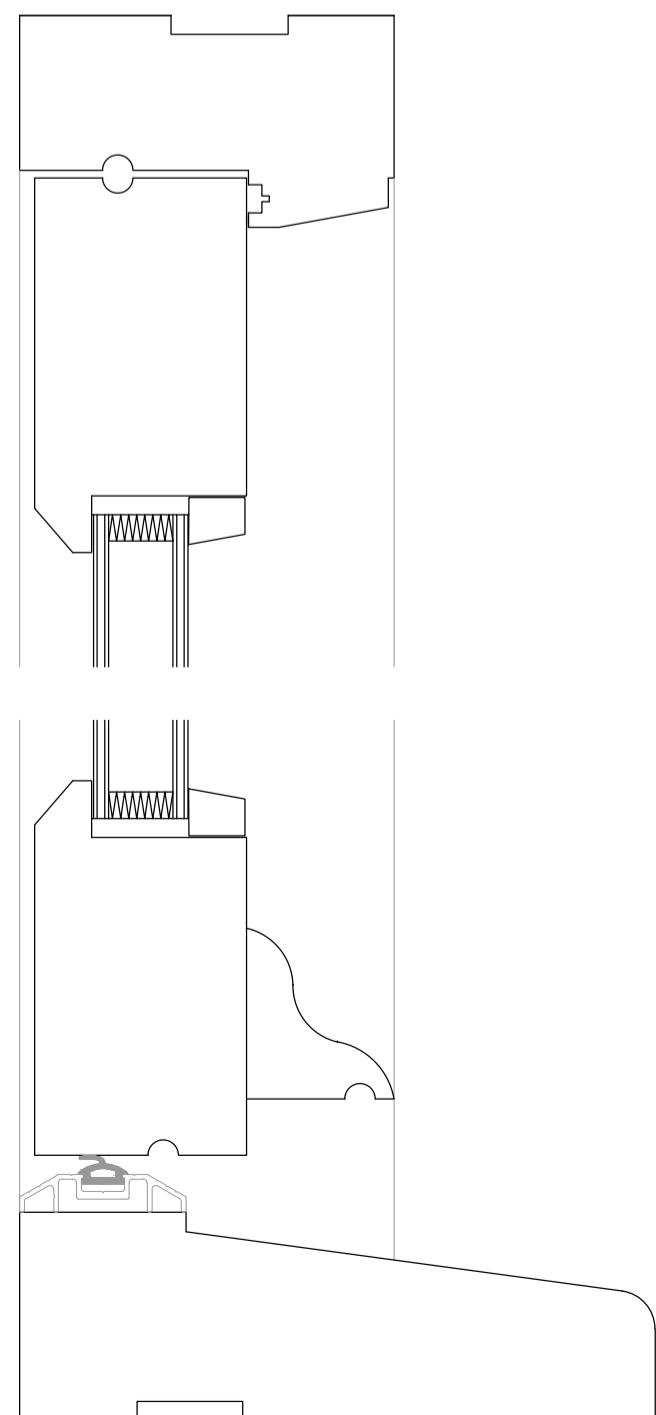
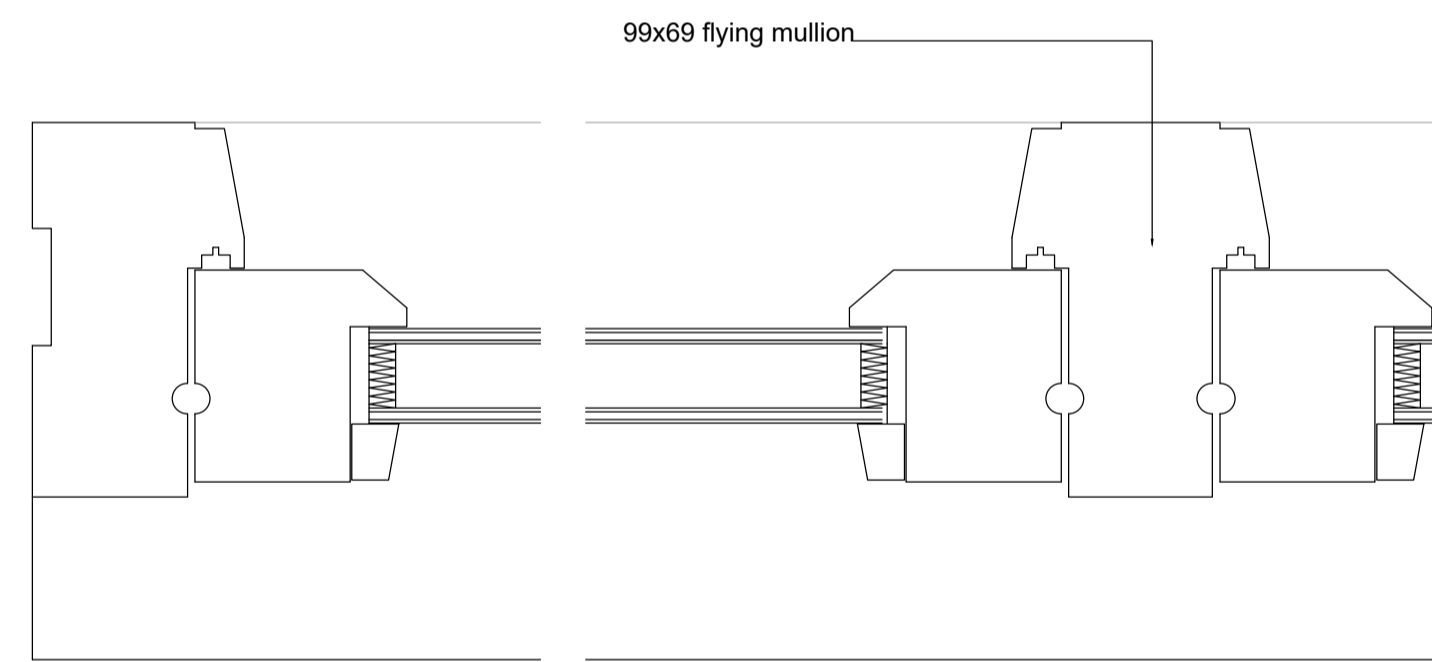
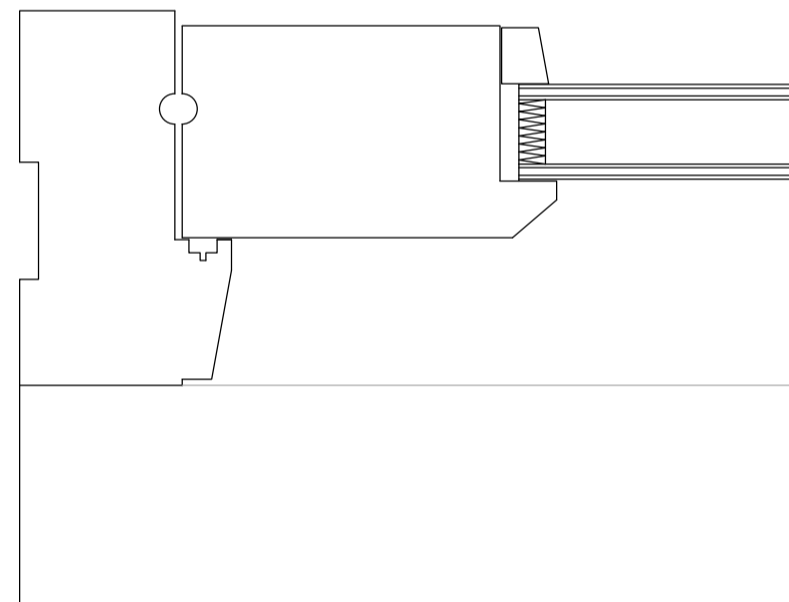
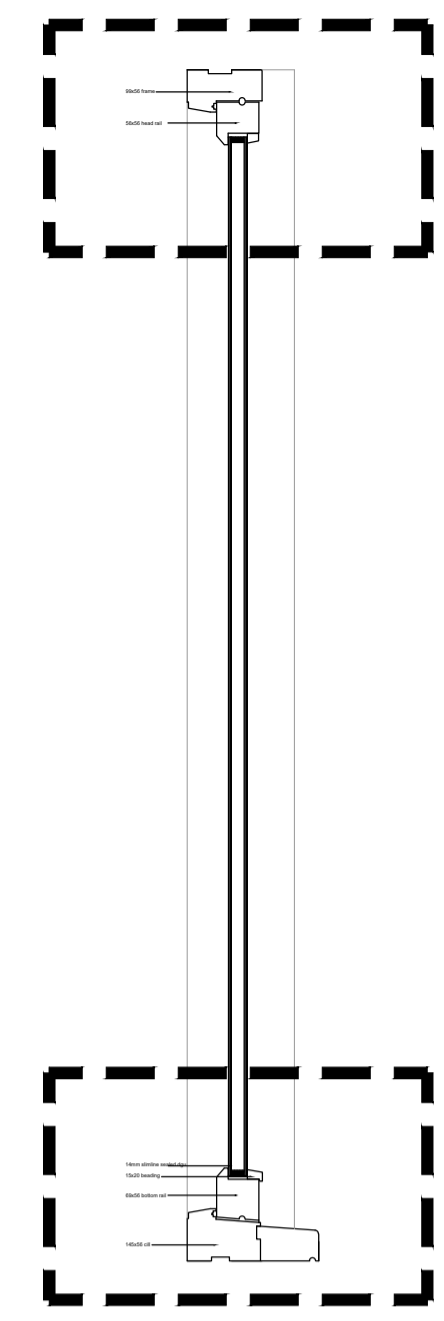
Windows 1:10
contractor to work to site dimensions



Windows 1:10
contractor to work to site dimensions



Windows 1:10
contractor to work to site dimensions



Rev.	Date	Details	Drawn	Checked
Issued for:				
LISTED BUILDING				
Project/Client:		Project No:		
2 Bridge Street		1782		
Needham Market		Dwg No:	Rev:	
		52		
Drawing:		Scale:	@ A1	
joinery details		1:10 & 1:2		
as proposed		North:		
Drawn By:	Date:	Drawn By:	Date:	
nb	18.12.22	nb	18.12.22	
Checked By:	Date:	Checked By:	Date:	
nb	18.12.22	nb	18.12.22	

Nick BARBER
Architects

design@nickbarberarchitects.uk
www.nickbarberarchitects.uk
42 Kirby Rise / Barham / IPSWICH / Suffolk / IP6 0AX
01473 839 767 / 07932 033 360
Nick BARBER Architects Ltd / Registered in England 8867467

© Nick Barber Architects
Contractors must work only to figured dimensions which are to be checked on site
This line measures 90mm at stated sheet size