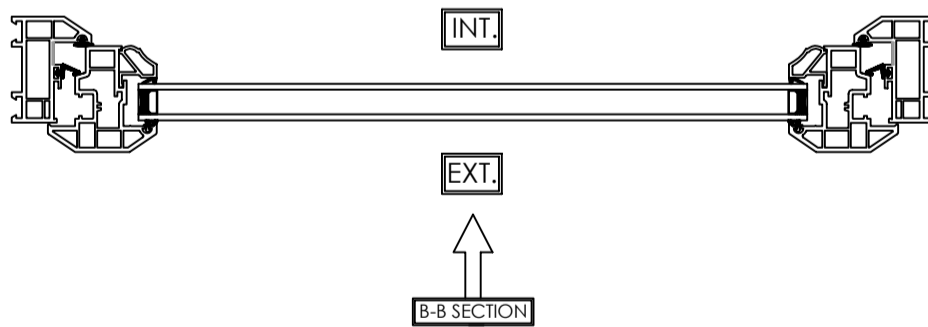
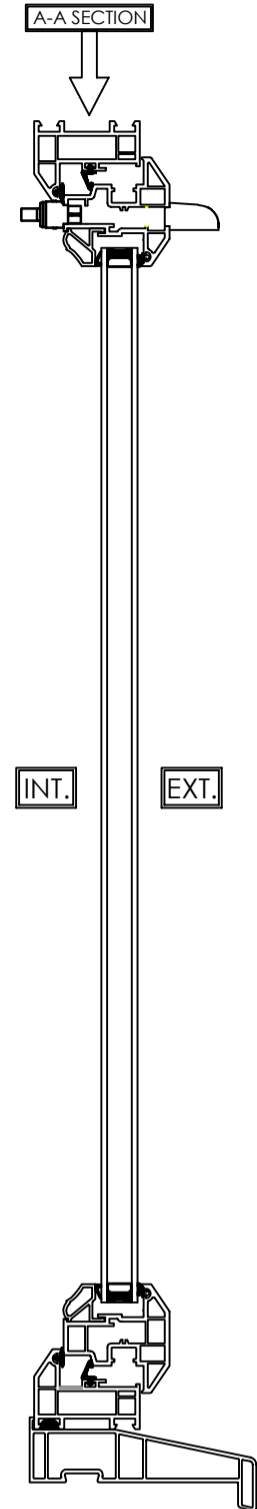
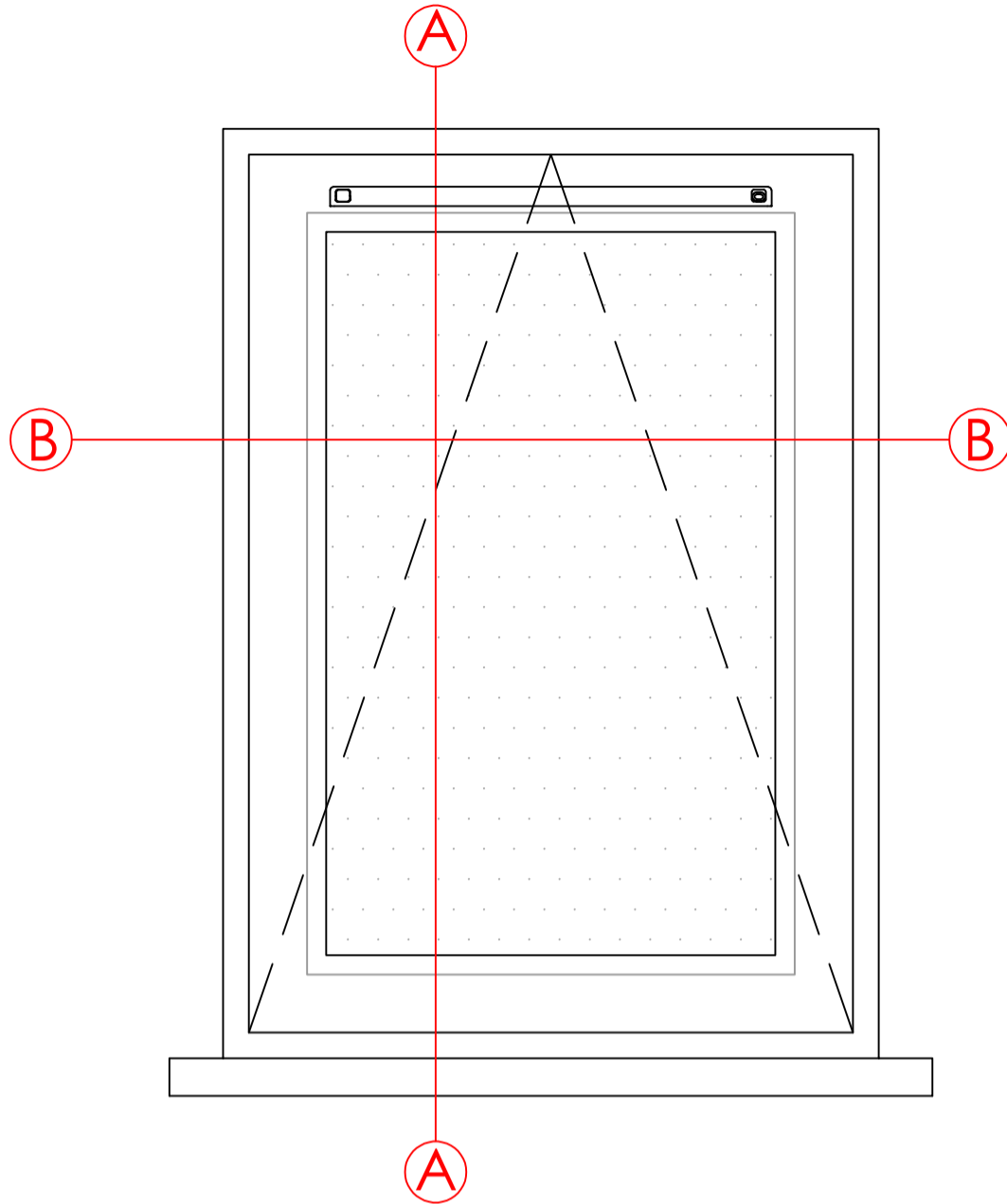


CROSS SECTIONS @ 1:5



Scale Bar
1:5(mm)

Scale Bar
1:5(mm)

4. BATHROOM

MATERIAL - PVCu
INTERNAL & EXTERNAL COLOUR - WHITE WOODGRAIN
GLAZING - 24MM SEALED UNITS

Scale - 1:5
(Produced on A3 Paper)
Sheet 4 Of 6

Drawers Initials.

SF

Revision	Date	Amendments	Drawers Initials.
A	09/01/24	Sections added @1:5	SF

CONTRACT No.: 30388917

date: 20/11/2023

VIEWED EXTERNALLY

THESE DRAWINGS ARE THE PROPERTY OF ANGLIAN HOME IMPROVEMENTS AND MUST NOT BE USED, DISTRIBUTED, LOANED OR COPIED WITHOUT THE EXPRESS PERMISSION OF ANGLIAN HOME IMPROVEMENTS.

PROPOSED: WINDOW REPLACEMENT
AT: 9 BELMONT GROVE
LONDON
SE13 5DW

