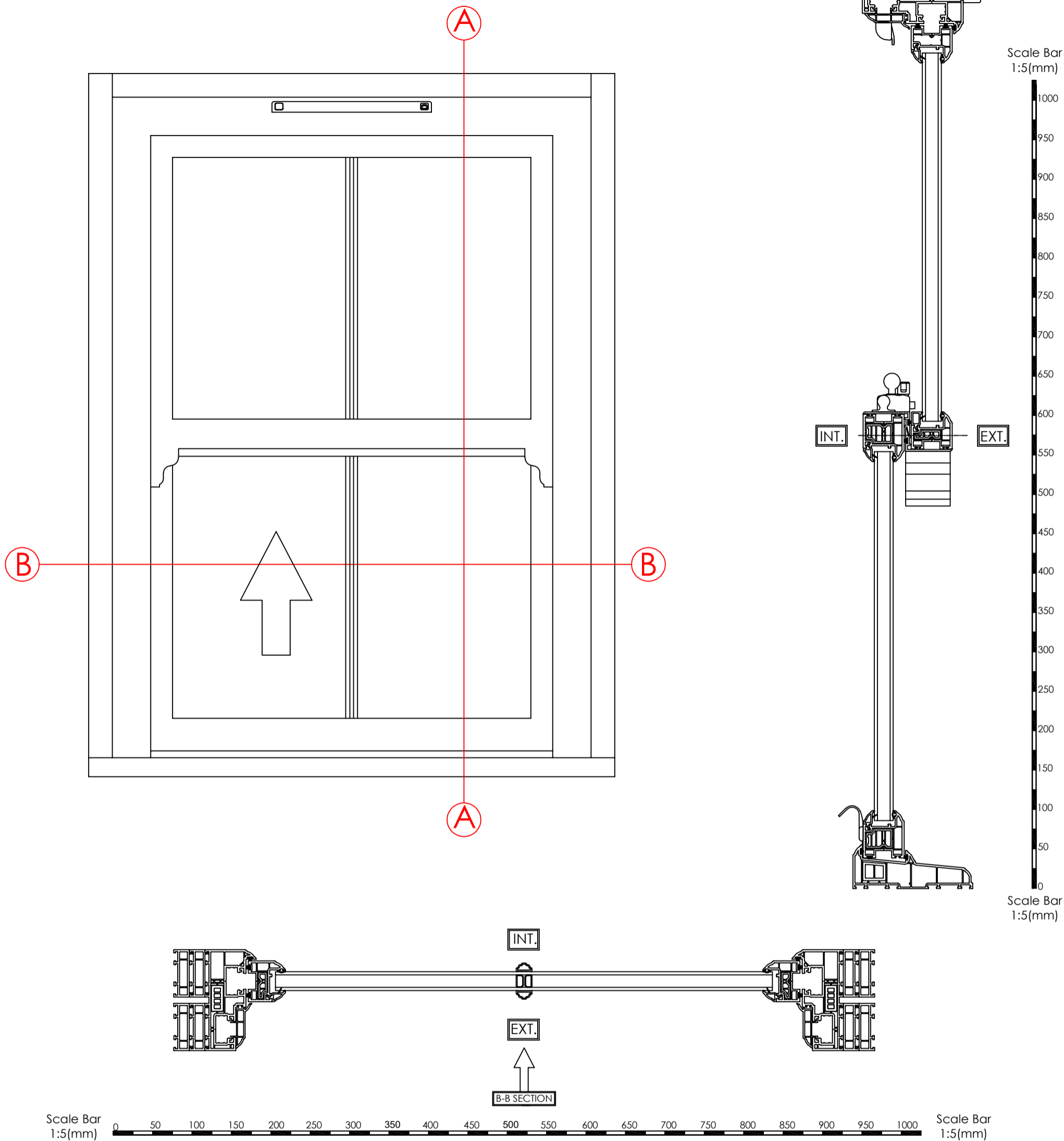


CROSS SECTIONS @ 1:5



3. SPARE BEDROOM

MATERIAL - PVCu
 INTERNAL & EXTERNAL COLOUR - WHITE WOODGRAIN
 GLAZING - 24MM SEALED UNITS

Scale - 1:5
 (Produced on A3 Paper)
 Sheet 3 Of 6

Drawers Initials.
SF

| Revision | Date | Amendments | Drawers Initials. |
|----------|----------|---------------------|-------------------|
| A | 09/01/24 | Sections added @1:5 | SF |

VIEWED EXTERNALLY

THESE DRAWINGS ARE THE PROPERTY OF ANGLIAN HOME IMPROVEMENTS AND MUST NOT BE USED, DISTRIBUTED, LOANED OR COPIED WITHOUT THE EXPRESS PERMISSION OF ANGLIAN HOME IMPROVEMENTS.

CONTRACT No.: 30388917

date: 20/11/2023

PROPOSED: WINDOW REPLACEMENT
AT: 9 BELMONT GROVE
(INSTALLATION ADDRESS) LONDON
 SE13 5DW

