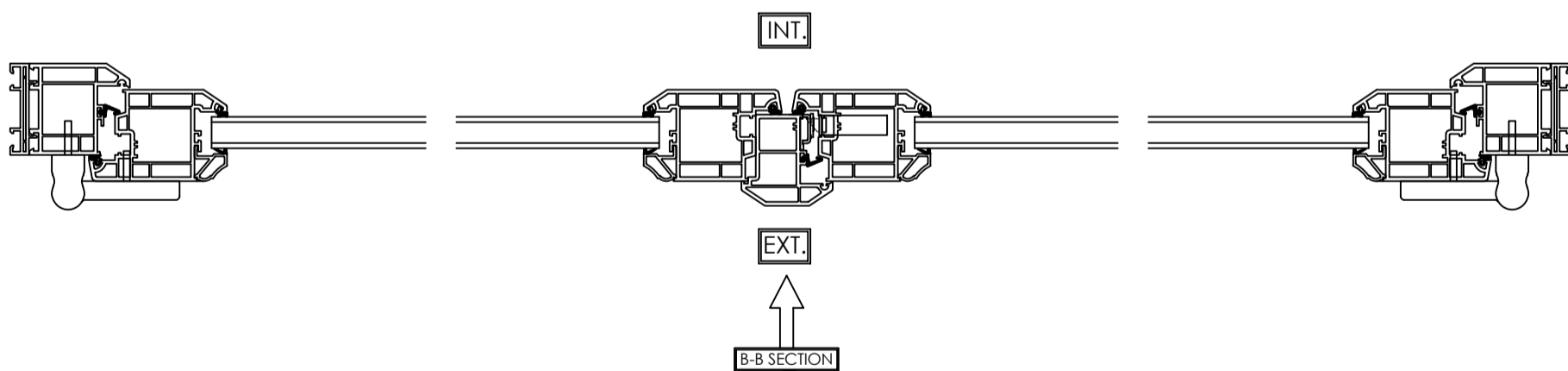
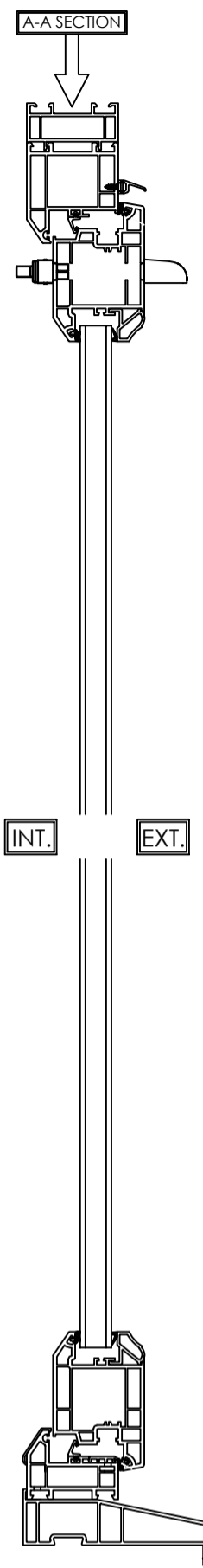
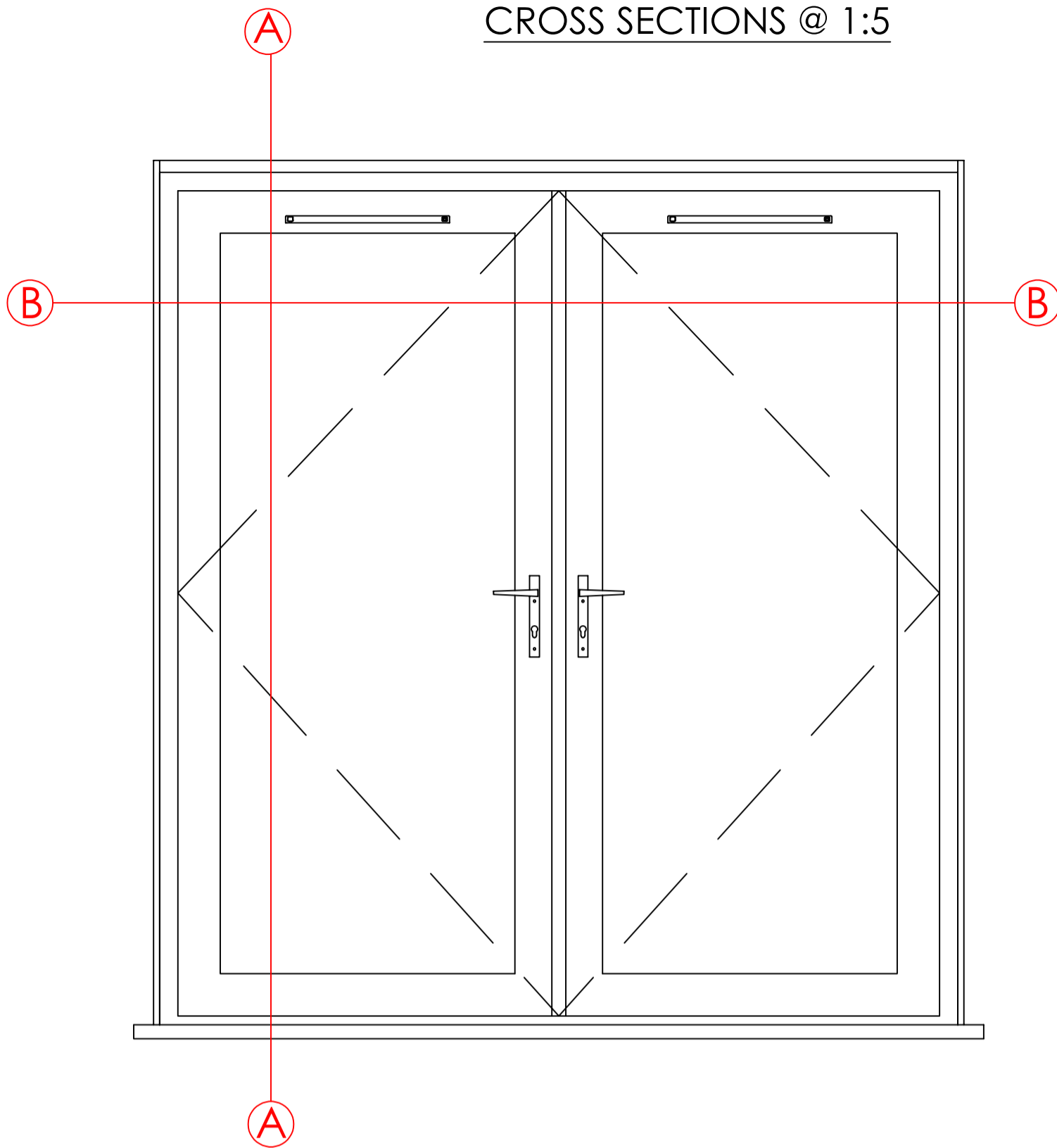
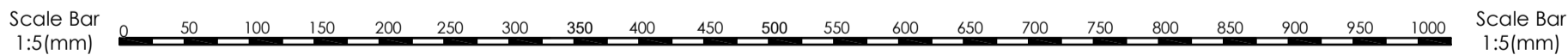


CROSS SECTIONS @ 1:5



1. LOUNGE

MATERIAL - PVCu
INTERNAL & EXTERNAL COLOUR - WHITE WOODGRAIN
GLAZING - 24MM SEALED UNITS



Scale - 1:5
(Produced on A3 Paper)
Sheet 1 Of 6

Drawers Initials.
SF

Revision	Date	Amendments	Drawers Initials.
A	09/01/24	Sections added @1:5	SF

CONTRACT No.: 30388917

date: 20/11/2023

VIEWED EXTERNALLY

THESE DRAWINGS ARE THE PROPERTY OF ANGLIAN HOME IMPROVEMENTS AND MUST NOT BE USED, DISTRIBUTED, LOANED OR COPIED WITHOUT THE EXPRESS PERMISSION OF ANGLIAN HOME IMPROVEMENTS.

PROPOSED: WINDOW REPLACEMENT
AT: 9 BELMONT GROVE
LONDON
SE13 5DW

