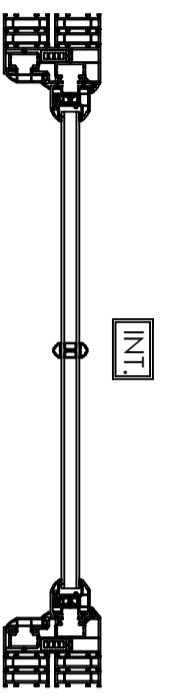
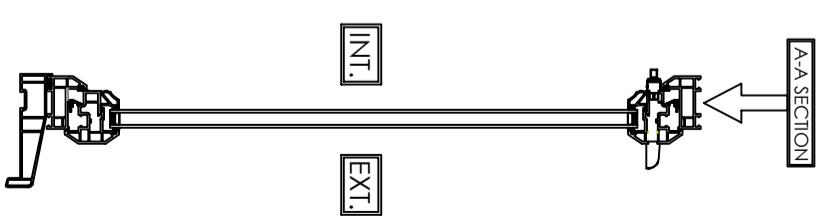
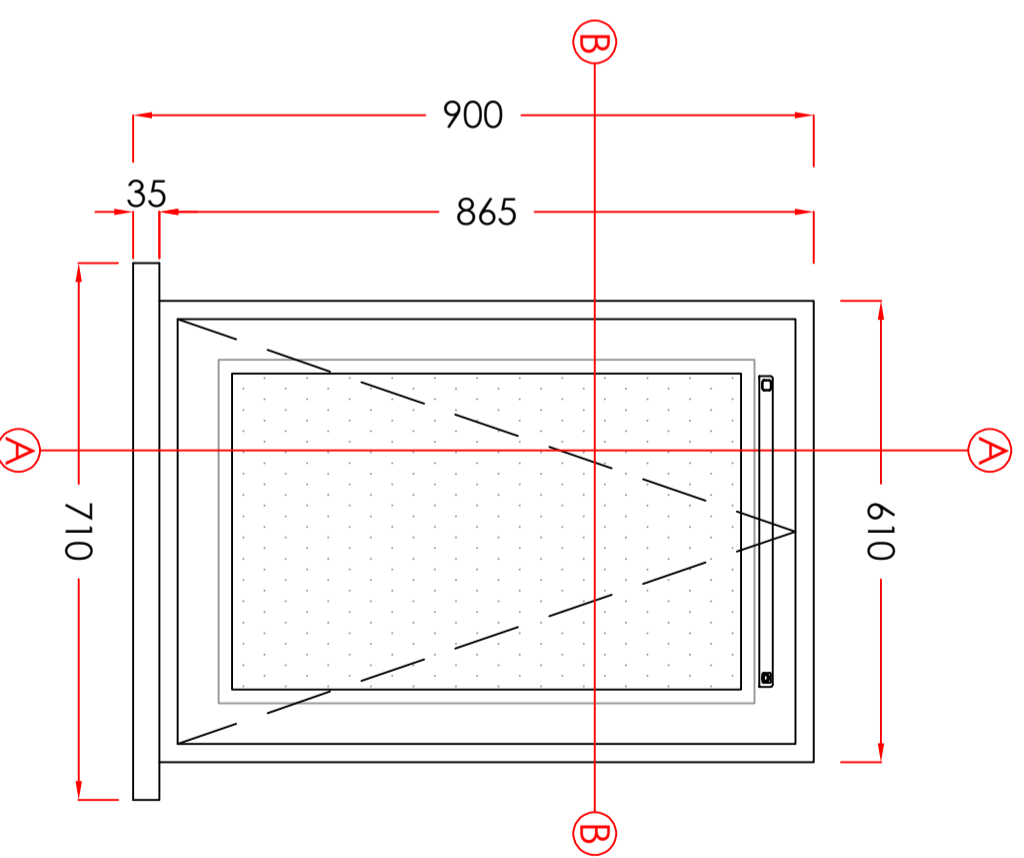
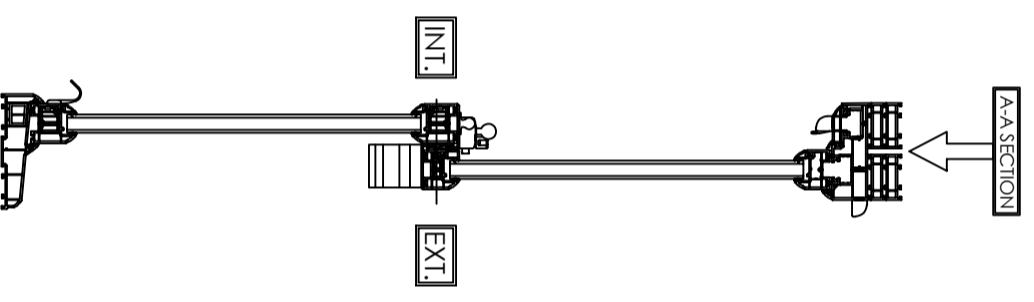
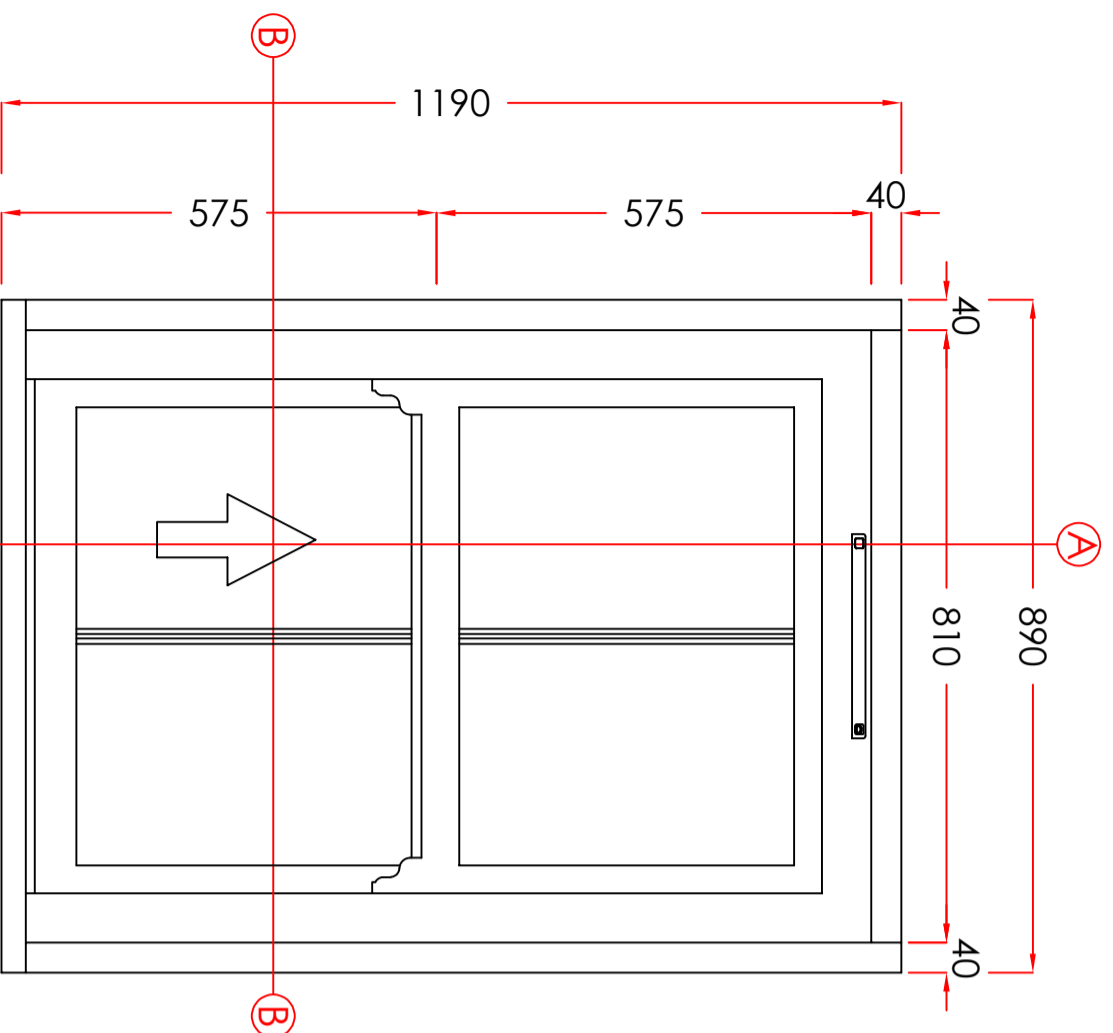


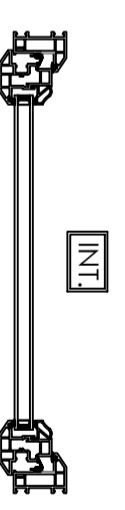
PROPOSED WINDOW AND DOORS



3. SPARE BEDROOM

MATERIAL - PVCU
INTERNAL & EXTERNAL COLOUR - WHITE WOODGRAIN
GLAZING - 24MM SEALED UNITS

VIEWED EXTERNALLY



4. BATHROOM

MATERIAL - PVCU
INTERNAL & EXTERNAL COLOUR - WHITE WOODGRAIN
GLAZING - 24MM SEALED UNITS

SILVER MIST
OBSCURE GLASS

Revision	Date	Amendments	Drawers initials
A	09/01/24	Sections added @1:5	SF

Scale - 1:10
(Produced on A3 Paper)
Sheet 3 Of 4

Drawers initials
SF

CONTRACT No.: 30388917 **date:** 20/11/2023

PROPOSED: WINDOW REPLACEMENT
AT: (INSTALLATION ADDRESS)
9 BELMONT GROVE
LONDON
SE13 5DW



THESE DRAWINGS ARE THE PROPERTY OF ANGLIAN HOME IMPROVEMENTS AND MUST NOT BE USED, DISTRIBUTED, LOANED OR COPIED WITHOUT THE EXPRESS PERMISSION OF ANGLIAN HOME IMPROVEMENTS.

