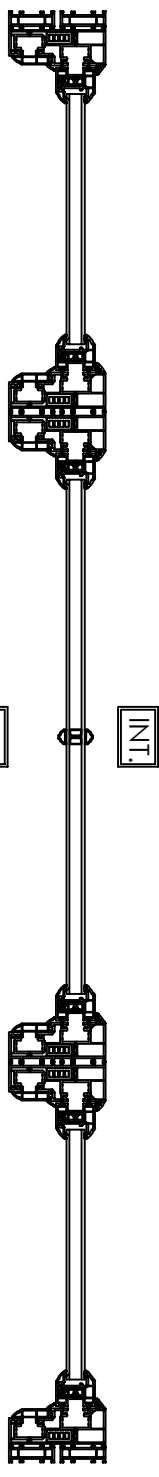
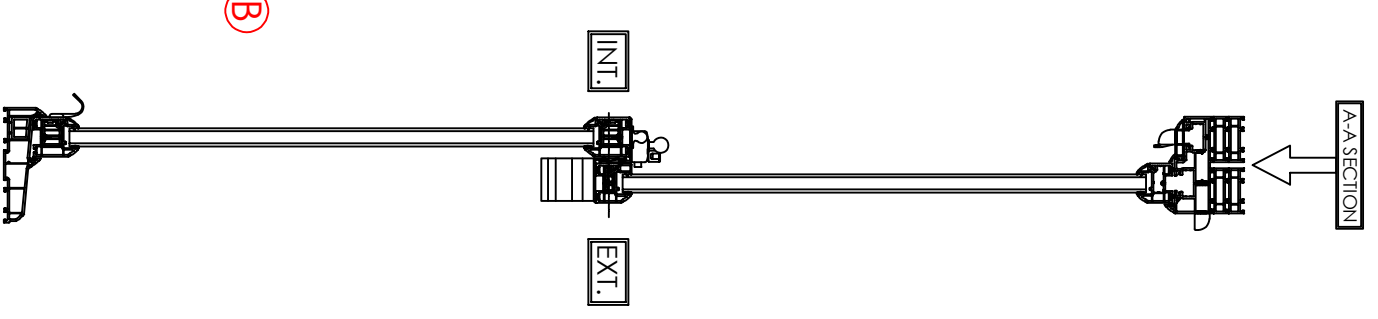
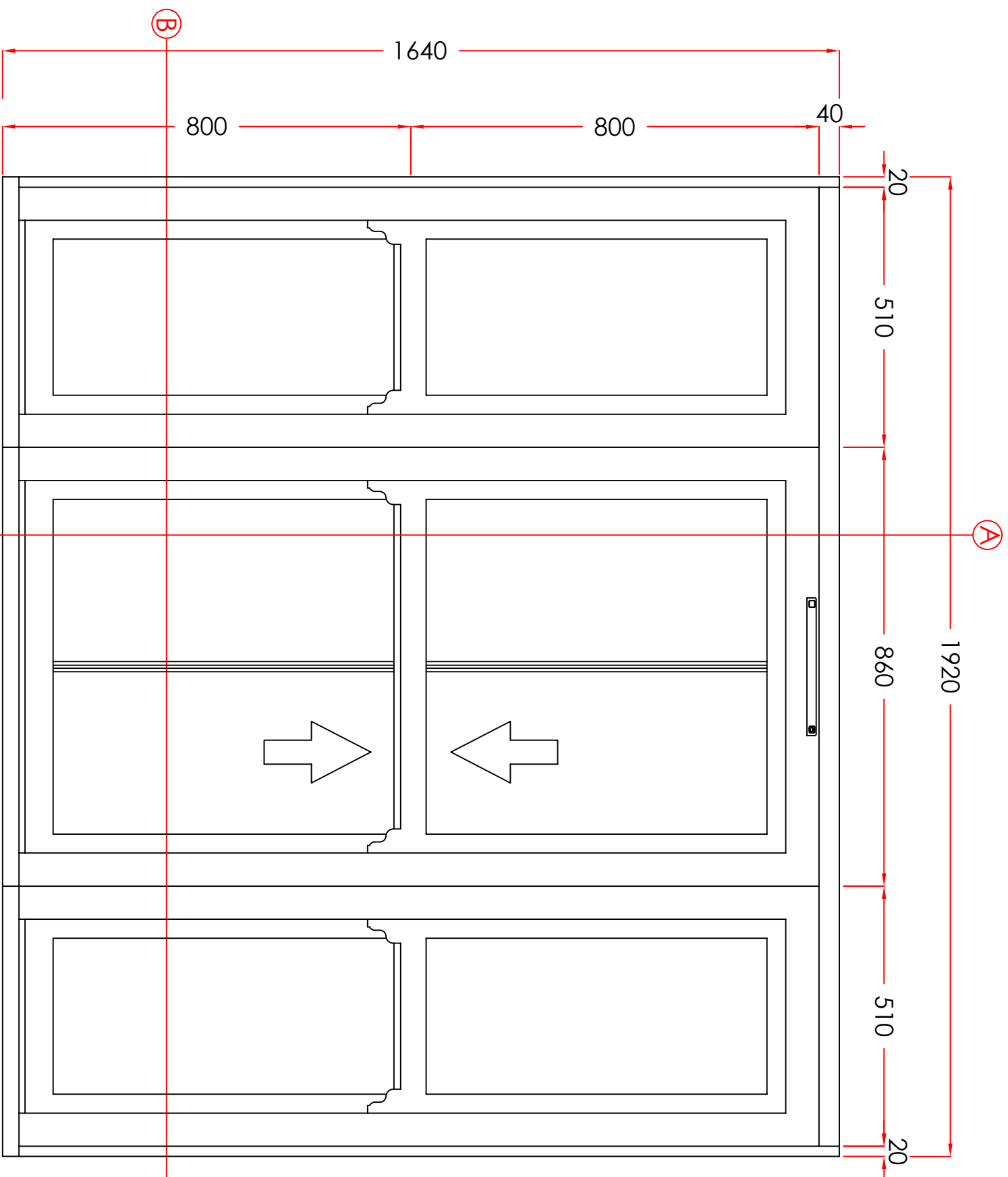


PROPOSED WINDOW AND DOORS



2. MASTER BEDROOM

MATERIAL - PVCU
INTERNAL & EXTERNAL COLOUR - WHITE WOODGRAIN
GLAZING - 24MM SEALED UNITS

Revision	Date	Amendments	Drawers Initials
A	09/01/24	Sections added @1:5	SF

VIEWED EXTERNALLY

Scale - 1:10

(Produced on A3 Paper)

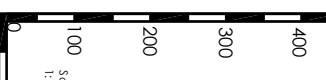
Sheet 2 Of 4

CONTRACT No.: 30388917

date: 20/11/2023

PROPOSED: WINDOW REPLACEMENT

AT: 9 BELMONT GROVE
LONDON
SE13 5DW



THESE DRAWINGS ARE THE PROPERTY OF ANGLIAN HOME IMPROVEMENTS AND MUST NOT BE USED, DISTRIBUTED, LOANED OR COPIED WITHOUT THE EXPRESS PERMISSION OF ANGLIAN HOME IMPROVEMENTS.