



The classic Sheffield stand provided in a durable and attractive galvanised steel finish.

Available in both overground or underground fixings.

Material: Steel

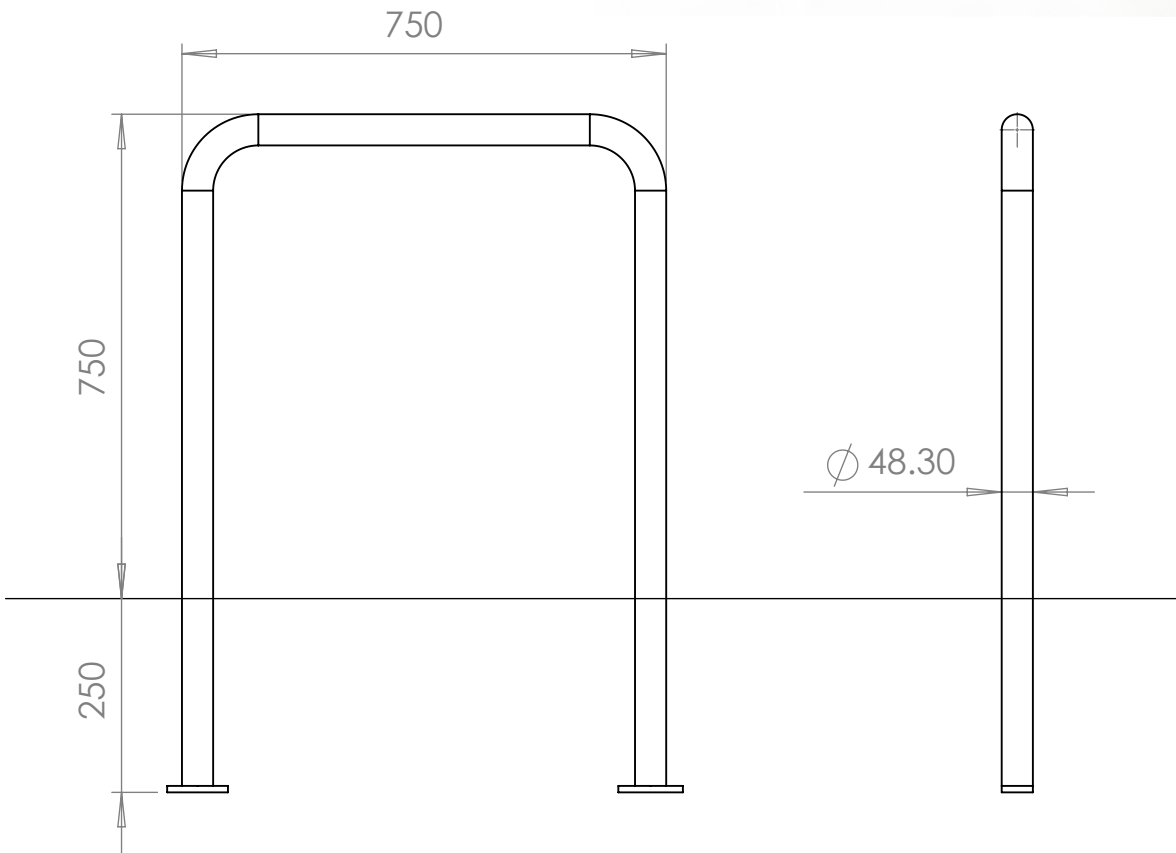
Coating: Galvanised

Dimensions:

- Height: 750mm
- Width: 750mm
- Depth: 48.3mm

Options:

- Root (underground fixing)
- Bolted (overground fixing)



Design | Supply | Install

BREEAM | Secured by design | Bespoke solutions

For our full range see our website: www.securecyclestore.com

Shelters



Two-tier



Semi-vert



Vertical

