

Appendix 3 Barrier construction profile

Permission to reproduce extracts from BS 5837:2012 is granted by the British Standards Institution (BSI). No other use of this material is permitted. The complete British Standard can be purchased from the BSI online shop: <http://shop.bsigroup.com/en/ProductDetail/?pid=000000000030213642>

Diagram 1 Weldmesh panels with block supports pegged to brace light impact

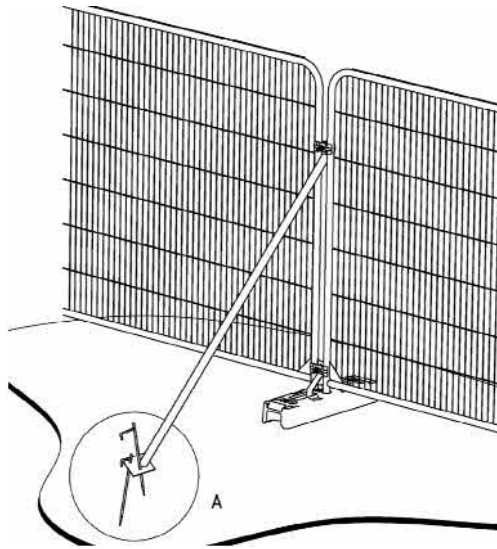


Diagram 2 Weldmesh panels with block supports and further block supports to brace intermediate impacts

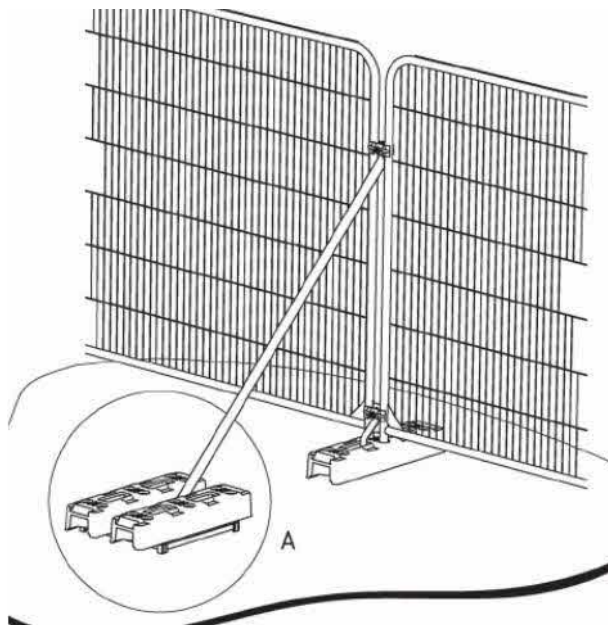
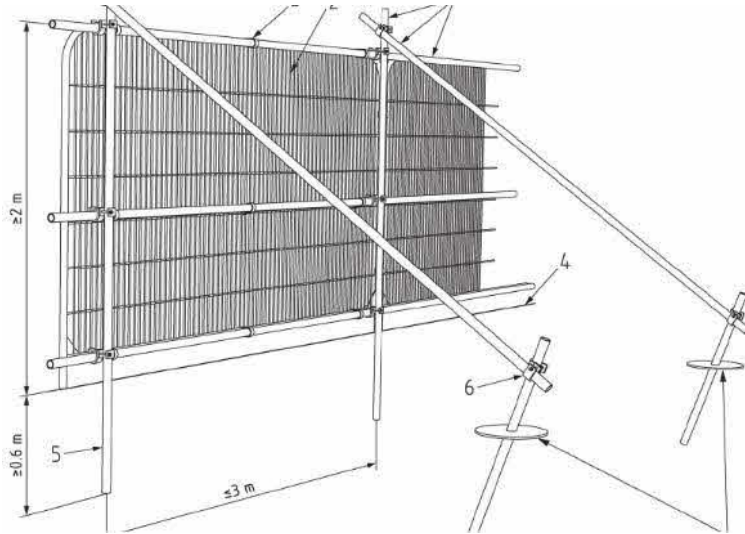


Diagram 3 Weldmesh panels with scaffold frame posts driven into the ground to brace heavy impacts



# **Construction Exclusion Zone**

**These trees have been retained and protected as part of the planning permission for this site.**

**Any breach of the protection will result in enforcement action from the Local Authority.**



Appendix 5 Tree protection plan