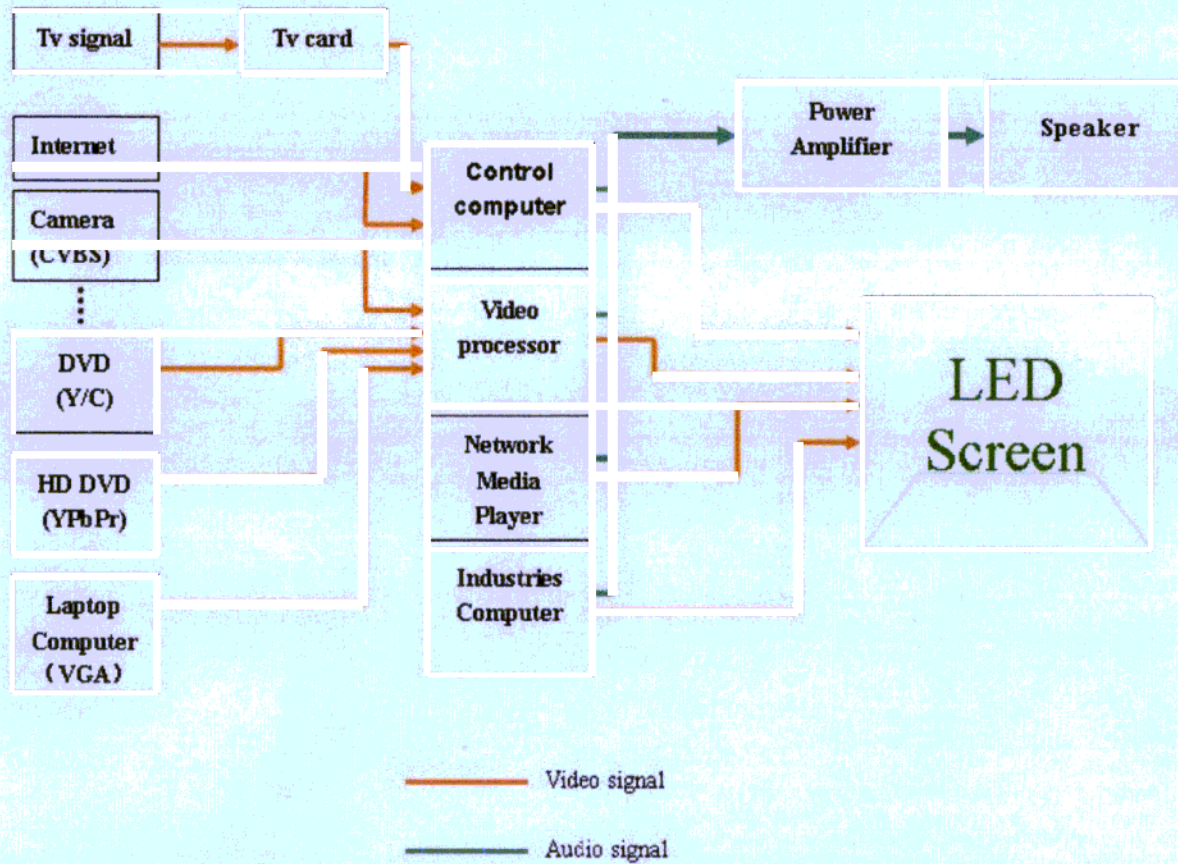


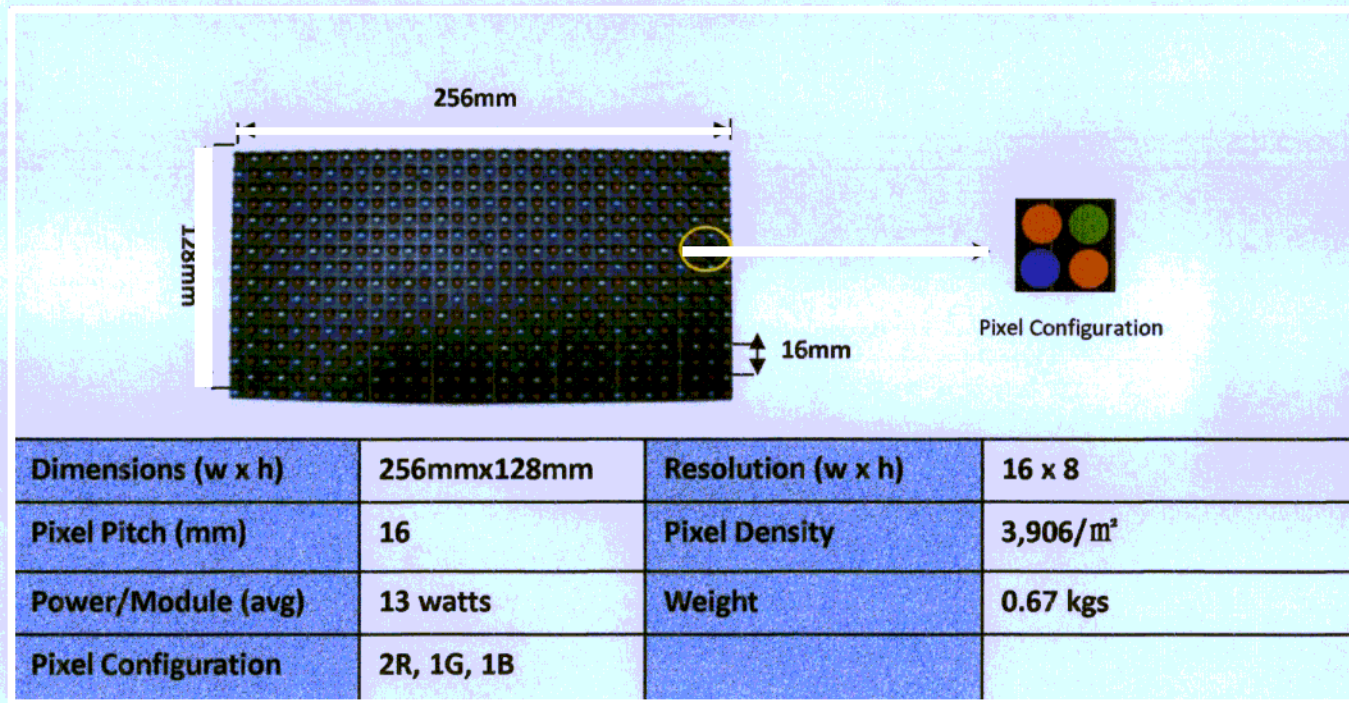


A. System Connection Drawing



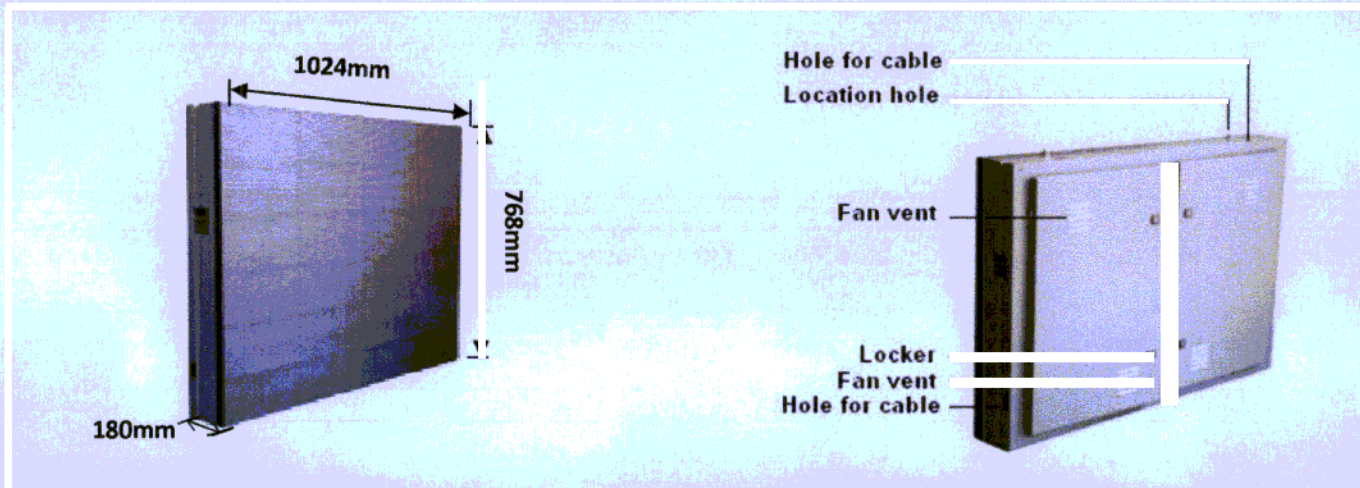


B. Module Parameter (Virtual Pixel)





C. Standard Cabinet Parameter



| | | | |
|-------------------------------|---------------------|---------------------------|-------------|
| Dimensions (W x H x D) | 1,024mmx768mmx180mm | Module Quantity | 24 |
| Physical Resolution (W x H) | 64 x 48 | Physical Pixels (total) | 3,072 |
| Virtual Resolution (W x H) | 128 x 96 | Virtual Pixels (total) | 12,288 |
| Weight/Cabinet | 51kg | Material | Steel |
| Average Power/ m ² | 400 watts | Max Power/ m ² | 1,000 watts |



D. LED Display Parameter -1

| Parameter | Value | |
|-----------------------------------|--|---|
| Brightness (calibrating value) | 5000 nits | |
| Red Wavelength (dominant) | Around 623nm | As we capsulate the LED lamp by our own workshop, we can keep as narrow as 2.5nm for the Dominate Wavelength Range |
| Green Wavelength (dominant) | Around 525nm | |
| Blue Wavelength (dominant) | Around 470nm | |
| Brightness Contrast (Max/Min) | 1.2 : 1 | This is the smallest contrast level by now |
| View Angle (min, 50% brightness) | Horizontal 120(+60/-60) deg. Vertical 60(+30/-30) deg. | |
| Recommended Min. Viewing Distance | 16 meters | |
| Brightness Control | 100 levels | |
| Digital Processing | 10 bits | |
| Grey Scale | 1.07 billion | |
| Colors Capability | 30 bits | |
| Refresh Rate (PAL/NTSC) minimum | >300 Hertz | |
| Frame Rate | 60 Hertz | |
| Drive Type | Constant current drive | |
| Scan Type | Static | |
| Input Voltage | AC220V/50Hertz or AC110V/60Hertz | |



E. LED Display Parameter -2

| Parameter | Value |
|--|---|
| Color Temperature | 6500 deg. k |
| Defects Rate | ≤0.00001 |
| MTBF | >10,000 hours |
| Life Span(50% Brightness) | >100,000 hours |
| Module Brightness Uniformity | <5% |
| Ingress Protection | Front IP65 Rear IP21 (Fixed) Front IP65 Rear IP43 (Rental) |
| Ventilation | Quite running fans |
| Earth Leakage Current | <2mA |
| Operating Temperature Range | -20 to +50 deg. C |
| Operating Humidity Range | operating 10~99% |
| Data transmission | Unshielded twisted pair net cable transmission distance 100m, max transmission distance 130m. Multi-mode fiber optics transmission distance 500m; Single- mode optic fiber transmission distance 10km. |
| Display Input Format (with Video Processor) | VGA, DVI, RGBHV, PbPr(HDTV), Composite, S-Video, TV |
| System Operation Platform | WINDOWS(WIN98、WINXP、WIN2000 、 VISTA) |



F. Solution Details

| | | | | | | |
|------------------------------|--------------|-------------------------------------|------------------------------|--------------|-------------------|-----------|
| | | | | | | |
| Cabinet Size (W x H) | Standard | 1.024M x 0.768M | Screen Configuration (W x H) | Standard | 8 x 5 | 40 pcs |
| | Non-Standard | | | Non-Standard | | pcs |
| Screen Dimension (W x H) | | 6 metres x 3 metres | | | Total Net Weight: | 2.040 Kgs |
| Display Resolution (W x H) | | Physical Pixels: 512 dot x 240 dot | | | Total | 122,880 |
| | | Virtual Pixels: 1,024 dot x 480 dot | | | Total | 491,520 |