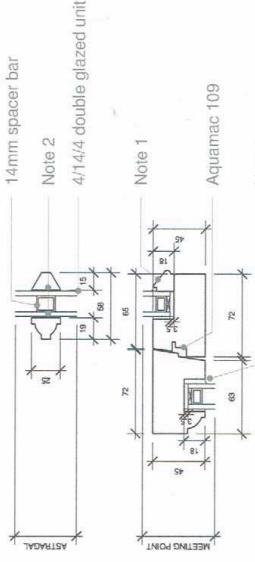


Note 1
Internal Seal: 2mm security tape
Perimeter Seal: Sillix U9 perimeter seal
External Seal: hardwood glazing bead with silicone sealant to glass

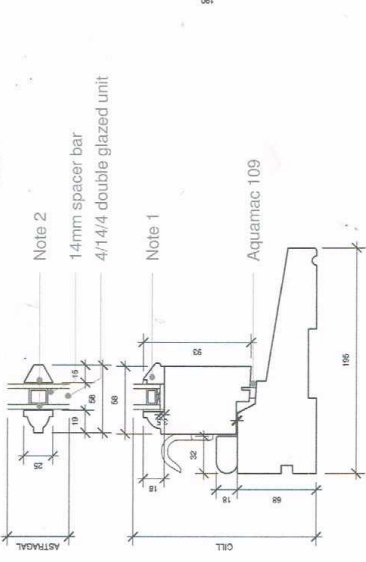
Note 2
Astragals adhered to glazing with 1.6mm security tape

Note 3
Internal Seal: 2mm security tape
Perimeter Seal: Sillix U9 perimeter seal
External Seal: Silicone sealant to glass



Alternative 18mm astragal
Note 2

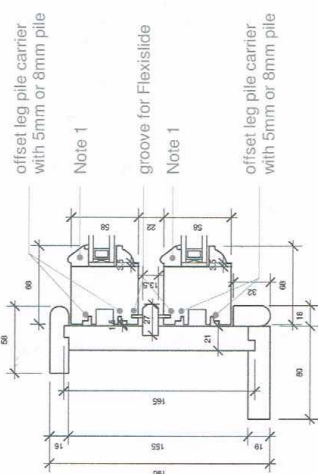
Alternative 38mm astragal
Note 1



Note 1
14mm spacer bar
4/14/4 double glazed unit

Note 2
14mm spacer bar
4/14/4 double glazed unit

Note 3
Aquamac 109



offset leg pile carrier with 5mm or 8mm pile
Note 1

groove for Flexislide
Note 1

offset leg pile carrier with 5mm or 8mm pile
Note 1

Rev	Description	Auth	Date
G	Note corrected.	RMcl	03/03/21
F	Note 4 omitted.	RMcl	30/11/20
E	Glazing tape notes amended.	RMcl	27/11/20
D	Sillie detail amended.	RMcl	09/11/20
C	Clearance dimensions added.	RMcl	04/11/20

DRAWING TITLE
**Sash & Case
Slim Bar Style
Ogee Profile**

PROJECT
Standard Details

DATE CREATED	DESIGNER	SCALE @ A4
27/10/20	RMcl	1:5
DRAWING NUMBER	REVISION	
S&C_SB_OG	G	

TJROSS

