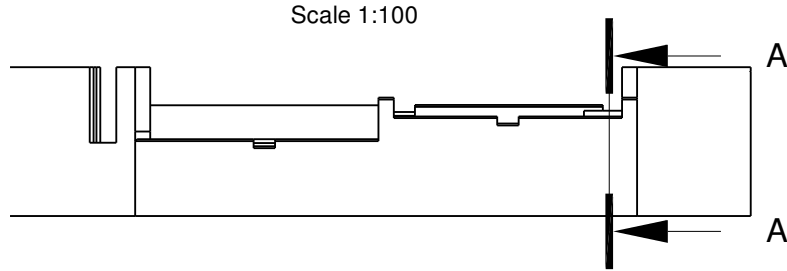
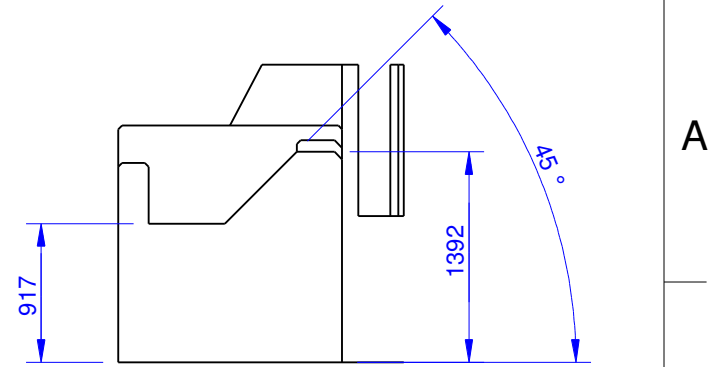


# Dylan Jones Intake : Eel pass ramp construction details

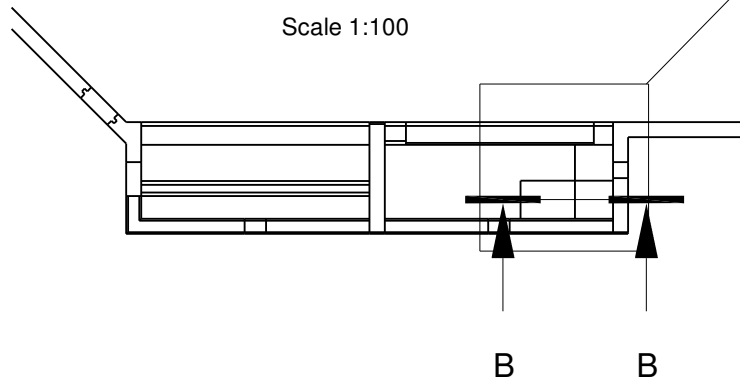
A



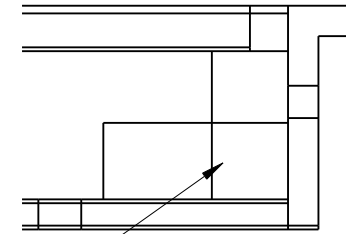
Section A-A



B

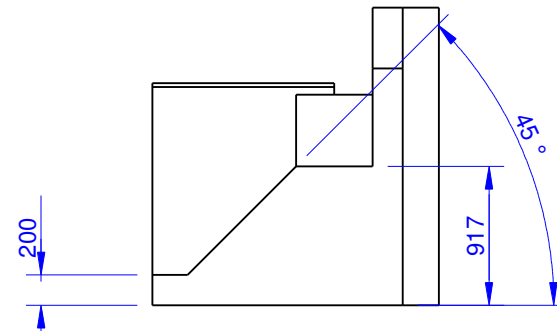


Detail A

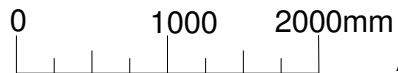


C

Section B-B



Note : 50mm chamfers on edges as shown



All levels relative to Newlyn. All dimensions in mm.

Note - Partial Section Views : Upstream extensions of wing walls not shown

D

D

Client : Dylan Jones  
Address : Ty Mawr, Mallwyd  
Machynlleth, SY20 9HS  
Drawn By : MJP

Date : 06/07/23  
Scale : 1 : 50 @ A4  
Drawing No : 23070602  
Version : 3

Revision Details  
v2 : Fish passage gradient reduced  
v3 : Notches revised



Greenearth Hydro Limited  
Siop Newydd, Rhiw, Pwllheli, LL53 8AE  
Tel: 07980 670046 [www.greenearthhydro.co.uk](http://www.greenearthhydro.co.uk)  
Company Registration Number 7417466  
MCS Hydro Transition Installer 123

1

2

3

6