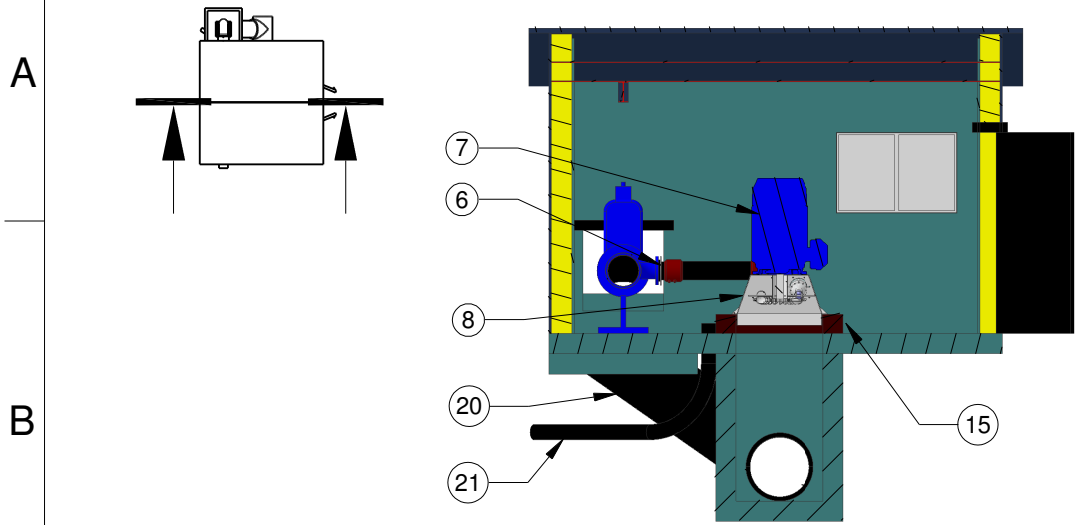
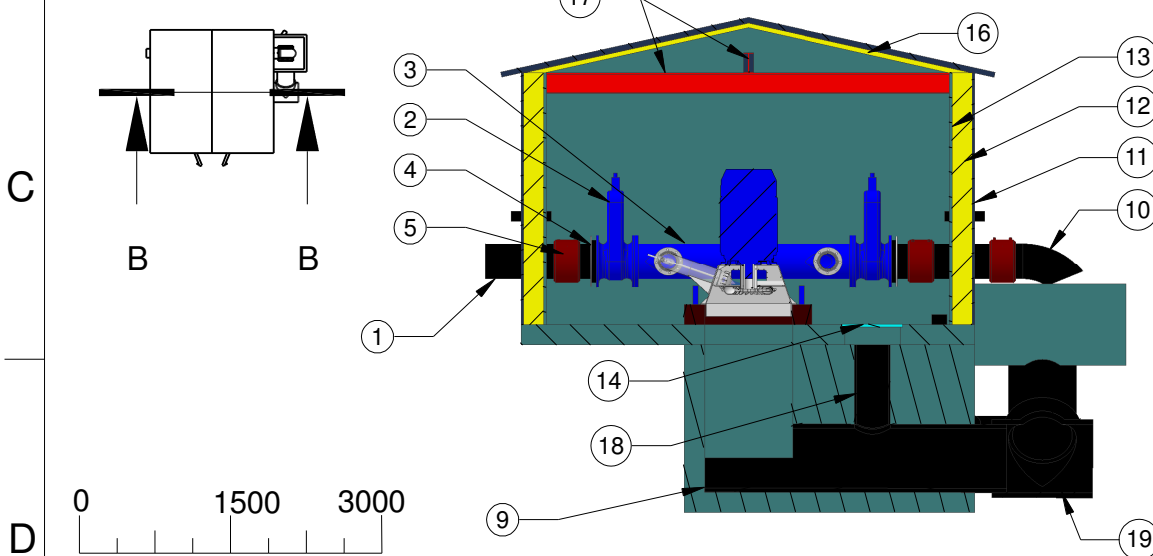


Dylan Jones Powerhouse : Sections and Nomenclature

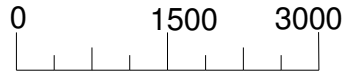
SCALE 1:300 Section A-A



SCALE 1: 300 Section B-B



1. Penstock. 355mm diameter HDPE. SDR 26, 6.3 bar rating
2. Manual Gate Valve DN 350
3. Turbine Manifold
4. Spigot Flange adaptor with backing ring
5. Fusion coupling
6. Outlet to branch pipe
7. Generator (3 phase, 8 pole induction)
8. Hydro turbine stainless steel casing
9. Tailrace for returning water to watercourse. 600mm Twinwall
10. Bypass pipe for running foam sponges ('pigs') through the penstock for cleaning.
11. External Box Section Cladding on steel frame
12. Insulation - Polyurethane, min 50mm
13. Internal Plywood lining
14. Grid
15. Turbine Plinth with internal chamber linked to tailrace
16. Steel Box Section Roof with polyurethane insulation, min 50mm
17. Beams built into powerhouse to lift generator and other components. Must be capable of lifting 1000kg minimum at centre of span.
18. Drain into Tailrace
19. Buried tee takes bypass flow into tailrace
20. 600mm twinwall connects to tee in tailrace
21. 150mm swept duct for cable



Client : Dylan Jones
 Address : Ty Mawr, Mallwyd
 Machynlleth, SY20 9HS
 Drawn By : MJP

Date : 16/01/23
 Scale : 1 : 75 @ A4
 Drawing No : 23011603
 Version : 1

Revision Details



Greenearth Hydro Limited
 Siop Newydd, Rhiw, Pwllheli, LL53 8AE
 Tel: 07980 670046 www.greenearthhydro.co.uk
 Company Registration Number 7417466
 MCS Hydro Transition Installer 123