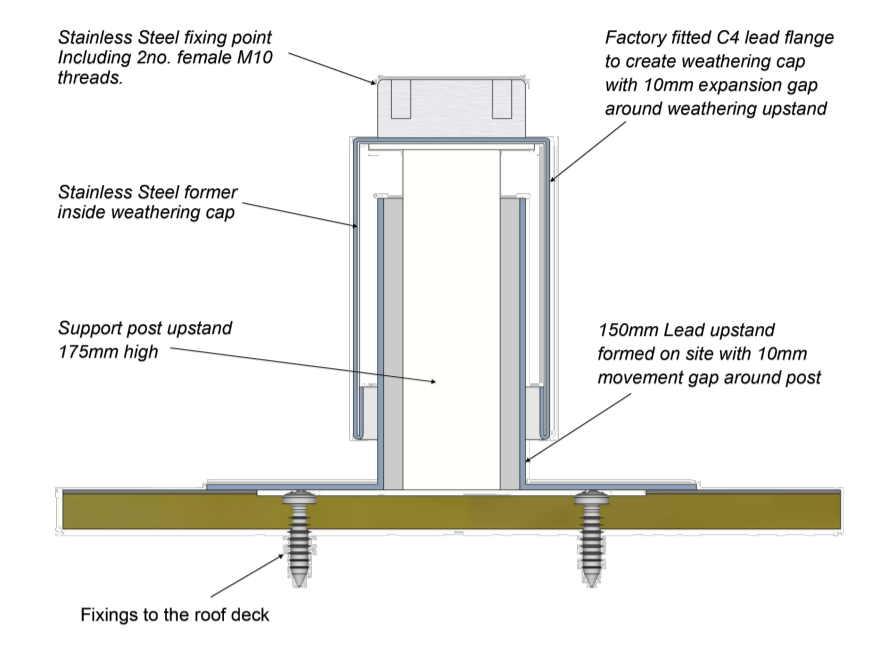
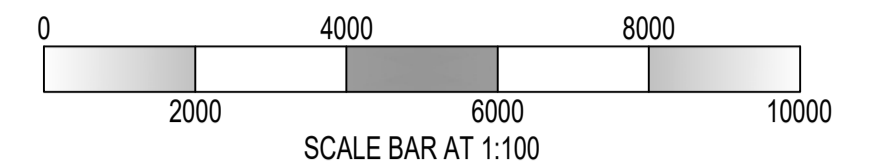
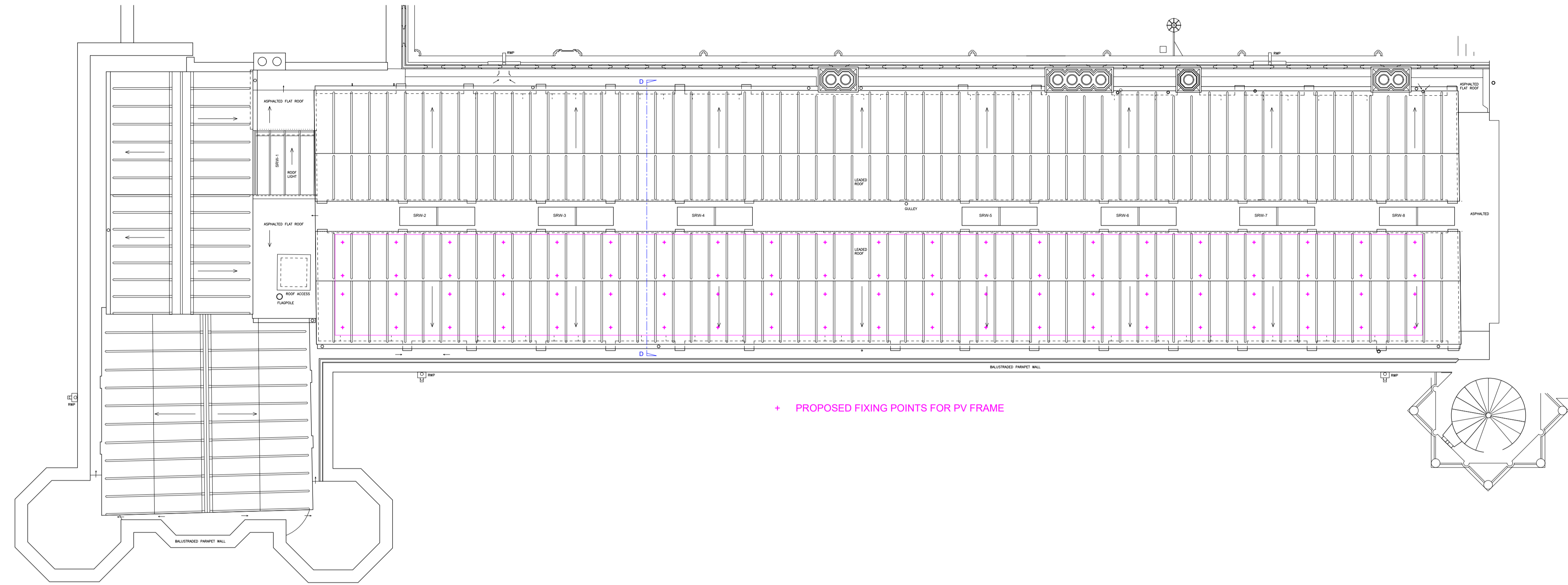


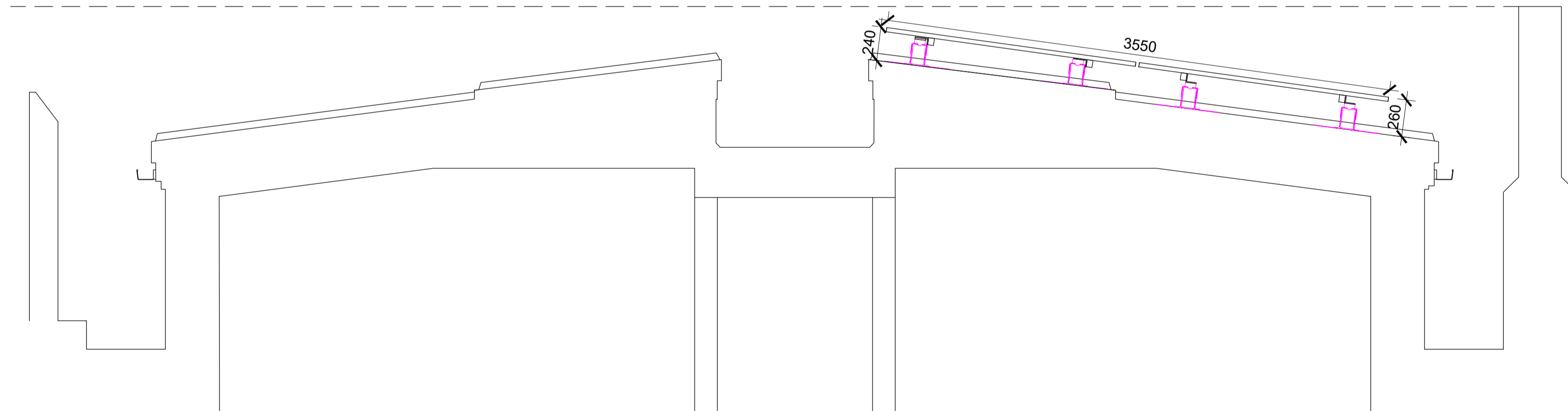
NOTES  
 © SIDLEYS - THE COPYRIGHT OF ALL OR PART OF THIS DRAWING RESTS WITH SIDLEYS CHARTERED SURVEYORS.  
 ALL DIMENSIONS SHALL BE CHECKED BY THE PARTY TO WHOM THE DRAWING HAS BEEN ISSUED. ANY DISCREPANCIES SHALL BE BROUGHT TO THE ATTENTION OF SIDLEYS.  
 DO NOT SCALE FROM THIS DRAWING.



NICHOLSON ROOFTRAK - IFP MR ROOF FIXING DETAIL



PROPOSED ROOF PLAN - FIXING LAYOUT  
 SCALE 1:100 @ A1



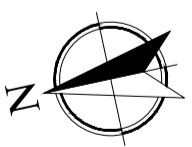
SECTION D-D: PROPOSED SECTION  
 SCALE 1:25 @ A1

PRELIMINARY

Revision Date Details

CHRIST CHURCH

CHRIST CHURCH  
 ST ALDATES  
 OXFORD  
 OX1 1DP



BACHELORS ROW - PROPOSED FIXING POINTS FOR PV ARRAY AND SECTION

Scale:  
 1:100 @ A1

**Sidleys**  
 CHARTERED SURVEYORS



6, King Edward Street, Oxford, OX1 4JL.  
 Telephone (01865) 726016, Facsimile (01865) 791493  
 www.sidleys.co.uk

Date: NOV 2023	Drawn by: PT	Checked by: AS	Job No: 9-0786	Drawing No: 41-P
-------------------	-----------------	-------------------	-------------------	---------------------

